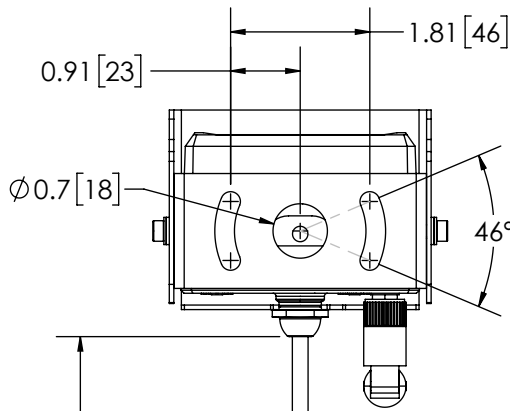


**FRONT VIEW**

**RIGHT VIEW**



**BOTTOM VIEW**

**NOTES:**  
1. DIMENSIONS IN INCHES [MILLIMETERS (FOR REFERENCE)]

NON DISCLOSURE AGREEMENT  
THIS DRAWING AND THE DESIGN IT DISCLOSES ARE THE PRIVATE PROPERTY OF ELECTRONIC CONTROLS CO. AND IS ISSUED IN CONFIDENCE FOR ENGINEERING INFORMATION ONLY. THE DRAWING AND / OR DESIGN MAY NOT BE USED, COPIED, REPRODUCED, OR OTHERWISE DISCLOSED IN PART OR AS A WHOLE TO OUTSIDERS OR USED FOR ANY OTHER PURPOSE WITHOUT THE PRIOR WRITTEN CONSENT OF ELECTRONIC CONTROLS CO. THE DRAWING IS SUBJECT TO RECALL AT ANY TIME. YOUR POSSESSION OF THIS DOCUMENT CONSTITUTES ACCEPTANCE OF THESE TERMS. © 2017 ELECTRONIC CONTROLS CO.

REVISION HISTORY		
REV.	DESCRIPTION	DATE
05	REVISED PER EL0078	2017-06-19
A	INITIAL RELEASE PER EL0078	2017-06-21
B	REVISE PER EL0078	2017-08-07

**SPECIFICATIONS**

- CERTIFICATIONS: ECE R10; FCC, ROHS; IP66D, IP69K  
Note: Unique components, accessories, and hardware kits are not typically Included in the Product Certification Test Protocols. Unless otherwise Specified, the Product Certifications referred to herein are predicated upon the base product model configuration.
- DISPLAY:
- RESOLUTION: 728 X 488 (PIXELS)
- COLOR SYSTEM: PAL/NTSC
- VOLTAGE (NOMINAL): 12-24 VDC
- VOLTAGE (EXTREME): 10-32 VDC
- POWER (NOMINAL): 1.7W (@ 12 VDC NOMINAL)
- TEMPERATURE RANGE: -4°F (-20°C) TO 158°F (70°C)
- CONNECTION: 2 - 22AWG CONDUCTOR CABLE
- RECOMMENDED MOUNTING:
- PRODUCT WEIGHT: 1.3 LBS (0.58 Kg)
- AUDIO: YES
- DAY/NIGHT SENSOR: NO
- WIRELESS: NO

**DISCLAIMER**

DIMENSIONS, ILLUSTRATIONS, SPECIFICATIONS, AND CERTIFICATIONS CONTAINED IN THIS DOCUMENT ARE TYPICAL OF THE ACTUAL PRODUCT AND ARE SUBJECT TO CHANGE. ECCO ENGINEERING DOES NOT MAINTAIN FORMAL DESIGN CONTROL OF THIS PRODUCT.

**MOUNTING DISCLAIMER**

MOUNTING MEASUREMENT IS FOR REFERENCE ONLY. MEASURE BEFORE DRILLING.

SCALE 1:2.5		APPROVALS	DATE
CAD GENERATED DRAWING DO NOT MANUALLY UPDATE. MODEL REFERENCED: 01		DRAWN BY	2017-07-06
TOLERANCES ARE IN INCHES, AND MILLIMETERS TOLERANCES UNLESS OTHERWISE STATED ARE:		CHECKED MDH	2017-07-07
MILLIMETERS DECIMALS XX. ± 1.0mm XX.X ± 0.5mm	INCHES DECIMALS X.X ± 0.1 X.XX ± 0.04 X.XXX ± 0.02	MECH. ENG.	
	ANGLES ± 0.5° FRACTIONS ± 1/64	ELEC. ENG. JES	2017-07-21
		TEST ENG.	
		SALES. JPT	2017-07-10
THIRD ANGLE PROJECTION		 <b>ECCO</b> ® www.eccolink.com Americas (800) 635-5900   Europe +44 (0)113 237 5340   Asia Pacific +61 (0)3 63322444 <b>CAMERA, 12-24V, COLOR, IR 12, AUDIO, WIRELESS</b>	
		CUSTOMER PART NO. <b>EC2027-WC</b>	PRODUCT SERIES:
		SIZE: A	DWG. NO. <b>EC2027-WC</b>
		REV. <b>B</b>	
Electronically Controlled Use Latest Copy		SHEET 1 OF 1	Project: EL0078 Date Created: 2017-02-24