

# CENTURY®

L E G E N D A R Y L E A D E R S H I P



**OWNER'S MANUAL**

**7035 2-SPEED**

**PARTS**

**NOTE: MANUAL including SPECIFICATIONS, subject to change without notice.  
All ratings specified are based on structural factors only,  
not vehicle capacities or capabilities.**

**CENTURY®**

Miller Industries Towing Equipment Inc.  
8503 Hilltop Drive  
Ooltewah, Tennessee 37363  
Phone (423) 238-4171 • FAX (423) 238-5371

FORM NO. 0501767  
03 / 2011  
PRICE \$25.00

## LIMITED WARRANTY

MILLER INDUSTRIES TOWING EQUIPMENT INC., hereinafter referred to as MILLER, warrants to the original purchaser that each new MILLER wrecker or other MILLER products will be free from defects in material and workmanship for a period of twelve (12) months from date placed in service, but in no event shall such warranty period exceed twenty-four (24) months from date of manufacture by MILLER. The purchaser must promptly notify MILLER in writing of any failure in material or workmanship. In no event shall MILLER accept such notification later than twenty-four (24) months from date of delivery or twelve (12) months from date placed in service, whichever is earlier.

MILLER's obligation under this warranty, statutory or otherwise, is limited to the repair or replacement at the MILLER factory, or at a point designated by MILLER, of such part or parts as shall appear upon inspection by MILLER to be defective in material or workmanship. New or remanufactured parts will be used for any replacement at MILLER's option. This warranty is not transferable. This warranty does not obligate MILLER to bear the cost of labor or transportation charges in connection with the repair or replacement of any parts found to be defective, nor shall it apply to a product upon which repairs or alterations have been made unless authorized by MILLER.

EXCEPT AS EXPRESSLY SET FORTH IN THIS WARRANTY, MILLER MAKES NO OTHER WARRANTY, EXPRESS OR IMPLIED, AND HEREBY DISCLAIMS ALL OTHER WARRANTIES INCLUDING, BUT NOT LIMITED TO, THE IMPLIED WARRANTIES OF MERCHANTABILITY AND FITNESS FOR A PARTICULAR PURPOSE. MILLER shall in no event be liable for claimed downtime, claimed loss of profits or goodwill, or any other special, incidental, indirect, or consequential damages concerning or relating to any product or parts, whether based on negligence, strict liability, breach of contract, breach of warranty, misrepresentation or any other legal theory, regardless of whether the loss resulted from any general or particular requirement which MILLER knew or had reason to know about at the time of sale.

MILLER MAKES NO WARRANTY, EXPRESS OR IMPLIED, AS TO THE FINISHED PRODUCTS MANUFACTURED OR SUPPLIED BY ANOTHER MANUFACTURER AND SUPPLIED BY MILLER TO PURCHASER, including, but not limited to, any vehicle to which a MILLER product may be affixed or any accessories or wire rope, and MILLER EXPRESSLY DISCLAIMS ANY IMPLIED WARRANTIES OF MERCHANTABILITY OR FITNESS FOR A PARTICULAR PURPOSE AS TO SUCH EQUIPMENT OR PRODUCTS. This language shall in no way affect or diminish the rights of the purchaser to rely on such warranties as are extended by such manufacturers or suppliers. MILLER shall, to the extent permitted under applicable law, pass on to the purchaser such manufacturer's or seller's warranty.

MILLER, whose policy is one of continuous improvement, reserves the right to improve its products through changes in design or materials as it may deem desirable without being obligated to incorporate such changes in products previously sold. This warranty is not intended to cover or include the following items, which are set forth by way of example and not limitation:

- A. Normal deterioration of trim, paint, lettering, and appearance items due to wear or exposure to weather, road conditions, road treatments, etc.
- B. Any damage or defect due to accident, misuse, abuse, improper or unauthorized repairs, failure to provide reasonable and necessary maintenance, or uses for which the equipment was not designed or intended.
- C. Alterations or modifications that affect performance, operation or reliability.
- D. Normal maintenance parts including, but not limited to, wear pads, bushings, wire rope, mud flaps, fenderettes, light bulbs, hydraulic oil, filters, and tow sling belts.

**IT IS EXPRESSLY UNDERSTOOD THAT MILLER MAKES NO IMPLIED WARRANTY THAT MILLER PRODUCTS SHALL BE FIT FOR THE PURPOSE OF LIFTING OR MOVING PEOPLE OR FOR ANY OTHER IMPROPER USE.**



Miller Industries Towing Equipment Inc.  
8503 Hilltop Drive  
Ooltewah, Tennessee 37363  
Telephone (423) 238-4171

**SERIAL NUMBER**

## **OWNER, USER AND OPERATOR:**

We appreciate your choice of our towing and recovery unit for your application. Our number one priority is user safety which is best achieved by our joint efforts. We feel that you can make a major contribution to safety if you, as the equipment owner and operator:

- 1. Comply with Federal, State, and Local Regulations.**
- 2. Read, Understand, and Follow the Instructions in this Manual.**
- 3. Use Good, Safe Work Practices in a Common Sense Way.**
- 4. Only have Authorized and Trained Personnel performing maintenance on the Towing and Recovery Unit.**

# TABLE OF CONTENTS

It is assumed by the manufacturer that the Owner/Operator has a thorough knowledge of the accepted and lawful retrieval and towing methods as dictated by his city, county or state. The manufacturer rejects any liability claim that may result from the incorrect or unlawful application of its equipment.

## Section I - PARTS

|   |                |
|---|----------------|
| SUBFRAME ASSEMBLY .....                       | I-2 thru I-5   |
| BODY ASSEMBLY .....                           | I-6 & I-7      |
| BOOM ASSEMBLY .....                           | I-8 thru I-11  |
| UNDERLIFT & TOWER ASSEMBLY .....              | I-12 thru I-15 |
| BOOM HYDRAULICS .....                         | I-16 & I-17    |
| UNDERLIFT HYDRAULICS .....                    | I-18 & I-19    |
| PUMP, VALVE & FILTER HYDRAULICS .....         | I-20 & I-21    |
| WINCH HYDRAULICS .....                        | I-22 & I-23    |
| SPADE HYDRAULICS .....                        | I-24 & I-25    |
| CONTROL LINK KIT .....                        | I-26 & I-27    |
| LEFT CONTROL ASSEMBLY .....                   | I-28 & I-29    |
| RIGHT CONTROL ASSEMBLY .....                  | I-30 & I-31    |
| PARTS LIST 7035 - 2-SPEED .....               | I-32 thru I-46 |
| PARTS LIST 7035 - 2-SPEED W/ LOWRIDER 3 ..... | I-47 & I-48    |

## **Section VI - PARTS**

This Section is provided by the manufacturer for the purpose of ordering any component part of the **Century 7035** that may be required when part replacement is necessary. Be certain to use only original equipment replacement parts for warranty purposes as well as for keeping your unit in its original state and optimum operating capacities.

When ordering replacement or spare parts be sure to provide the following information to the manufacturer's **Parts Department**.

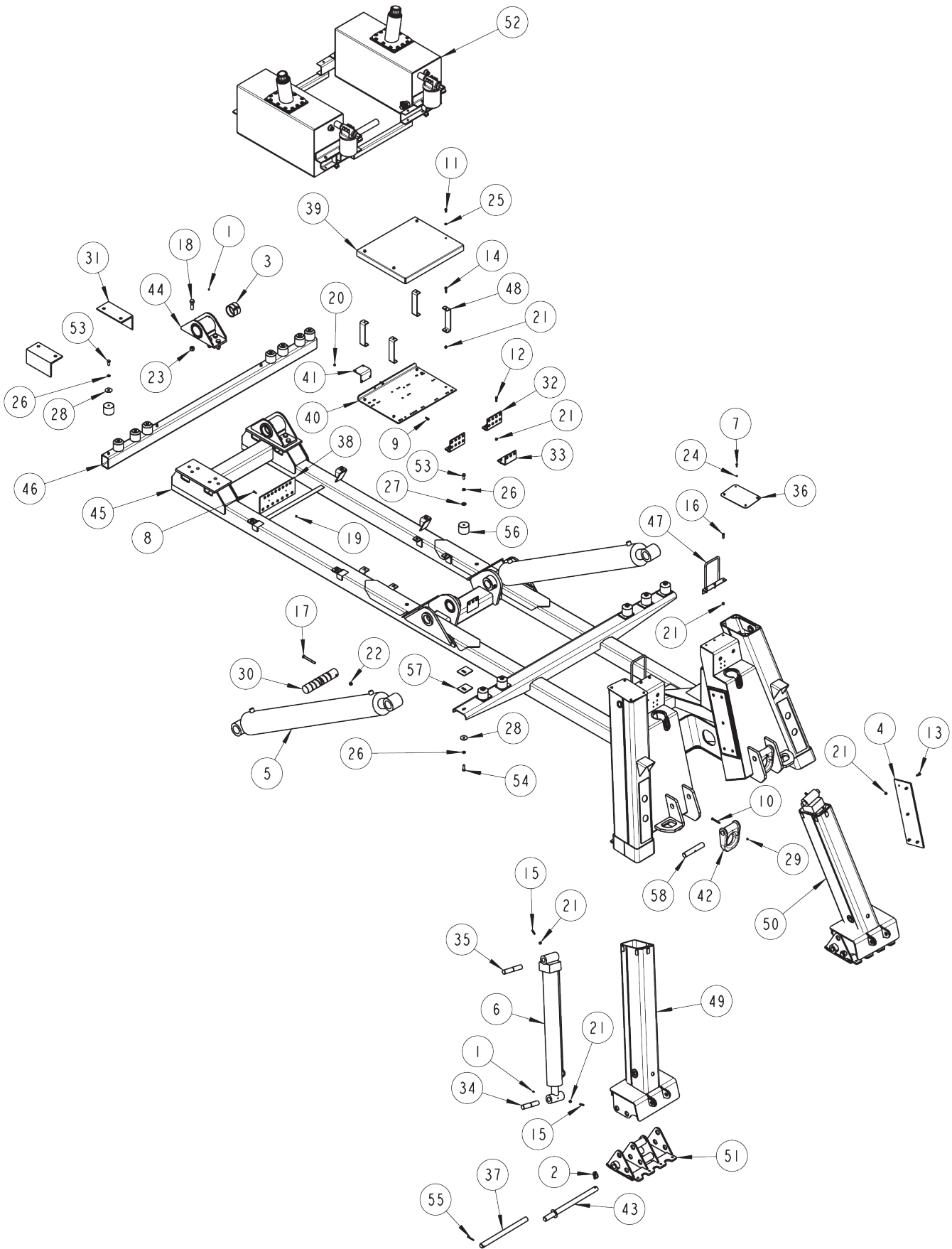
1. **Manual Number & Date of Publication**
2. **Manual Page Number**
3. **Page Title**
4. **Reference Number of Part Desired**
5. **Part Number**
6. **Part Description**
7. **Quantity of Part Desired**

Providing this information will help ensure that the correct parts will be delivered to you in an expedient manner without delay. Should additional information be required for repair or replacement of certain components, contact your Wrecker Manufacturer Authorized Representative.

The Manufacturer reserves the right, without notice or obligation, to improve or modify their products, which may change the specifications, models and feature availability.

# Section I - PARTS (cont'd)

## SUBFRAME ASSEMBLY

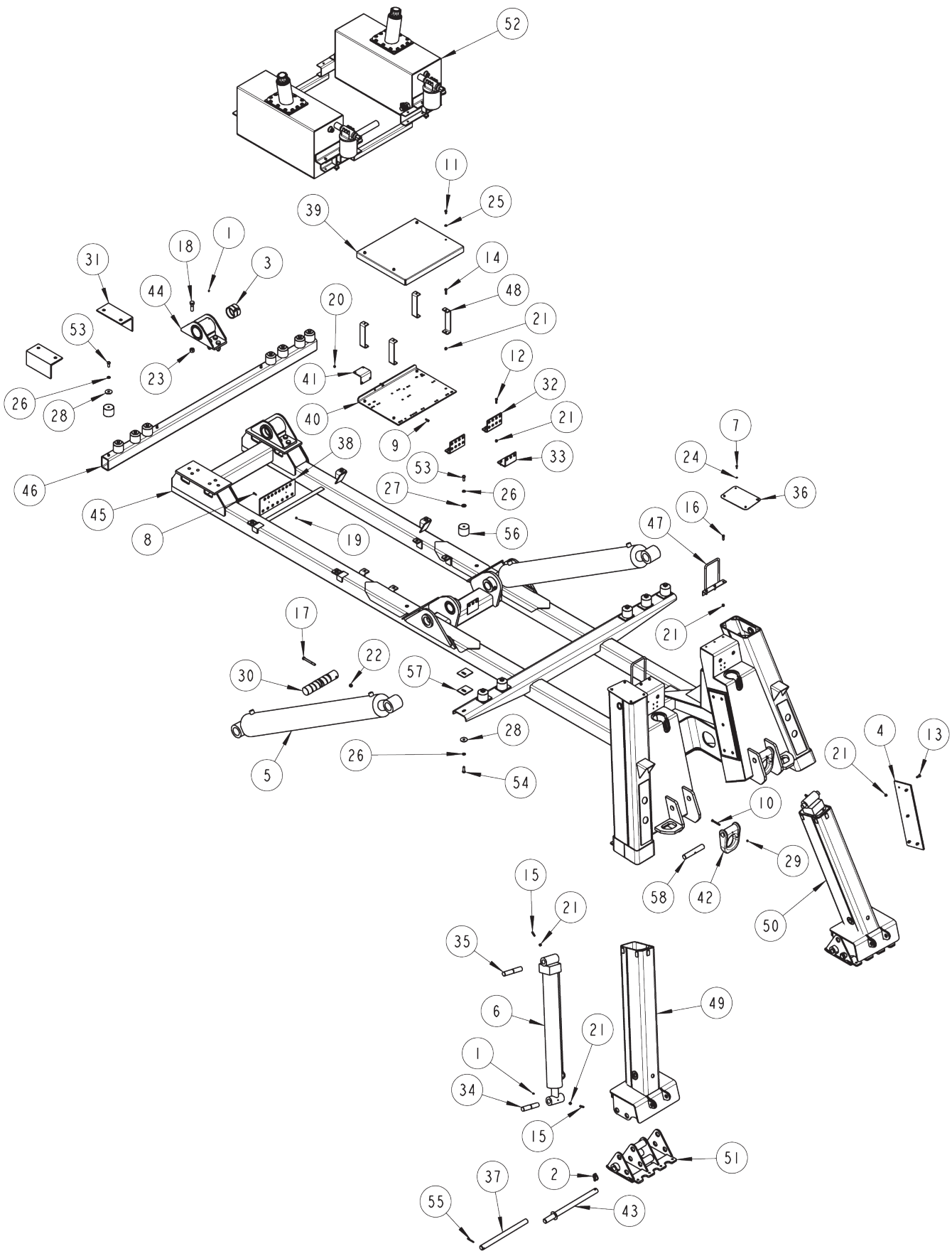


## Section I - PARTS (cont'd)

### SUBFRAME ASSEMBLY

| ITEM | PART NUMBER | DESCRIPTION                         | QTY |
|------|-------------|-------------------------------------|-----|
| 1    | 0300113     | GREASE FITTING, 1/4-28 STRAIGHT     | 4   |
| 2    | 0301861     | QUICK PIN                           | 2   |
| 3    | 0302538     | SPRING BUSHING, 3.5OD X 3ID X 2.5   | 2   |
| 4    | 0303089     | RAMP PAD                            | 2   |
| 5    | 0306747     | CYL - BOOM LIFT                     | 2   |
| 6    | 0307843     | CYLINDER - 4" BORE 30" STROKE       | 2   |
| 7    | 0400066     | 1/4-20 X 3/4 HHCS GR.5, ZP          | 8   |
| 8    | 0400070     | 1/4-20 X 1 HHCS GR5 ZP              | 2   |
| 9    | 0400109     | 5/16-18 X 1 HHCS GR.5, ZP           | 2   |
| 10   | 0400114     | 5/16-18 X 3 HHCS GR 5 ZP            | 2   |
| 11   | 0400121     | 3/8-16NC X 3/4 HHCS GR. B           | 4   |
| 12   | 0400122     | 3/8-16 X 1 1/4 HHCS GR.5, ZP        | 6   |
| 13   | 0400128     | 3/8-16X1.25 FLAT HD SOC             | 10  |
| 14   | 0400132     | 3/8-16 X 1 1/2 HHCS GR.5, ZP        | 4   |
| 15   | 0400139     | SCREW, 3/8"-16 X 1-1/2" HEX SKT SET | 4   |
| 16   | 0400148     | 3/8-16 X 1-1/4 HHCS GR5 ZP          | 6   |
| 17   | 0400219     | 1/2-13 X 4-1/2 HHCS GR.5 ZP         | 2   |
| 18   | 0400288     | 3/4-10 X 2-1/2 HHCS GR.8 GOLD       | 12  |
| 19   | 0400367     | 1/4-20 NYLOCK HEX NUT ZP            | 2   |
| 20   | 0400382     | 5/16-18 NYLOCK HEX NUT ZP           | 2   |
| 21   | 0400392     | 3/8-16 NYLOCK HEX NUT ZP            | 30  |
| 22   | 0400408     | 1/2-13 NYLOCK HEX NUT ZP            | 2   |
| 23   | 0400431     | 3/4-10 NYLOCK HEX NUT GR.8, ZP      | 12  |
| 24   | 0400452     | 1/4 HELICAL LOCK WASHER ZP          | 8   |
| 25   | 0400482     | 3/8 HELICAL LOCK WASHER ZP          | 4   |
| 26   | 0400491     | 1/2 HELICAL LOCK WASHER ZP          | 20  |
| 27   | 0400497     | 1/2 FLAT WASHER GR.8, YZ PLATED     | 6   |
| 28   | 0400498     | WASHER, 1/2' ID X 2" OD X .150      | 14  |
| 29   | 0400776     | 5/16-18 HEX NUT JAM NYLOK           | 2   |

**Section I - PARTS (cont'd)**  
**SUBFRAME ASSEMBLY (cont'd)**





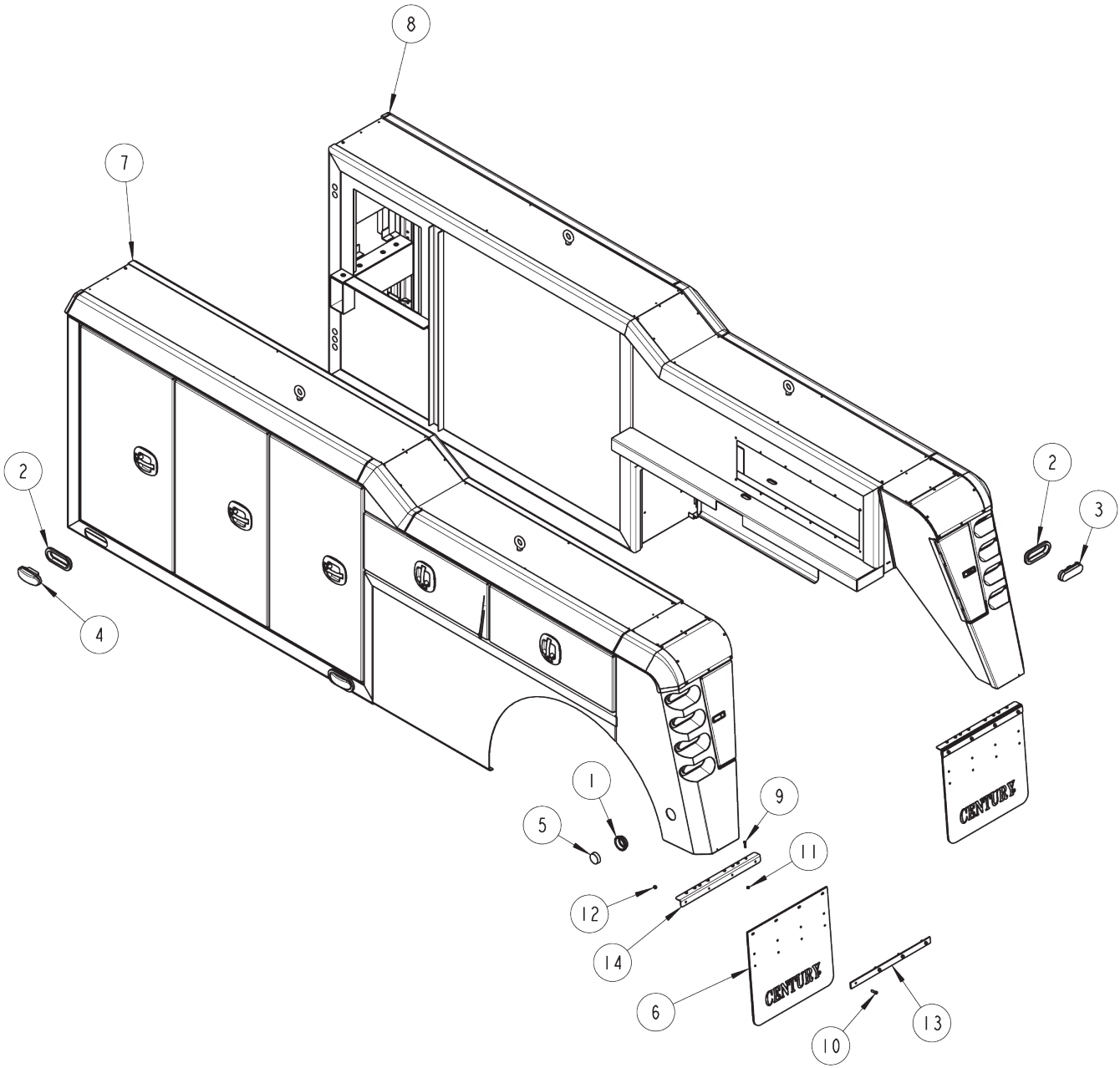
**Section I - PARTS (cont'd)**

**SUBFRAME ASSEMBLY (cont'd)**

| ITEM | PART NUMBER | DESCRIPTION                     | QTY |
|------|-------------|---------------------------------|-----|
| 30   | 0708094     | PIN - LIFT CYLINDER             | 2   |
| 31   | 0710545     | HR ANGLE                        | 2   |
| 32   | 0711249     | PLATE - CONTROL BOX             | 2   |
| 33   | 0711250     | PLATE - CONTROL BOX             | 1   |
| 34   | 0713128     | SHAFT - LOWER SPADE             | 2   |
| 35   | 0713129     | SHAFT - UPPER SPADE             | 2   |
| 36   | 0715584     | COVER PLATE                     | 2   |
| 37   | 0715694     | PIN - SPADE PIVOT               | 2   |
| 38   | 0716201     | PLATE - BULKHEAD MOUNTING       | 1   |
| 39   | 0717066     | COVER - VALVE                   | 1   |
| 40   | 0717827     | PLATE - VALVE MOUNTING          | 1   |
| 41   | 0719122     | PLATE - VALVE MTG.              | 1   |
| 42   | 0719585     | "D" RING - TOWING               | 2   |
| 43   | 0804334     | PIN, MULTI-POSITION             | 2   |
| 44   | 0804405     | BOOM PIVOT BRKT                 | 2   |
| 45   | 0806001     | SUBFRAME WELDMENT               | 1   |
| 46   | 0806004     | FRONT TOOLBOX MOUNT             | 1   |
| 47   | 0806521     | HAND RAIL WLMT                  | 2   |
| 48   | 0807181     | COVER SUPPORT WLMT              | 4   |
| 49   | 0807627     | INNER SPADE WLMT (LH)           | 1   |
| 50   | 0807628     | INNER SPADE WLMT (RH)           | 1   |
| 51   | 0807630     | LOWER SPADE PAD WELDMENT        | 2   |
| 52   | 0907802     | KIT - RESERVOIR                 | 1   |
| 53   | 9041402     | 1/2-13NC X 1 1/4 HHCS, ZP, GR.8 | 14  |
| 54   | 9041403     | 1/2-13 X 1-1/2 HHCS GR 8 ZP     | 6   |
| 55   | 9046354     | 1/4 X 2-1/2 ROLL PIN ZP         | 2   |
| 56   | 9402970     | TOOLBOX MTG. PAD                | 14  |
| 57   | 942480011   | REAR WASHER PLATE               | 12  |
| 58   | GA0215      | PIN, D RING                     | 2   |

# Section I - PARTS (cont'd)

## BODY ASSEMBLY

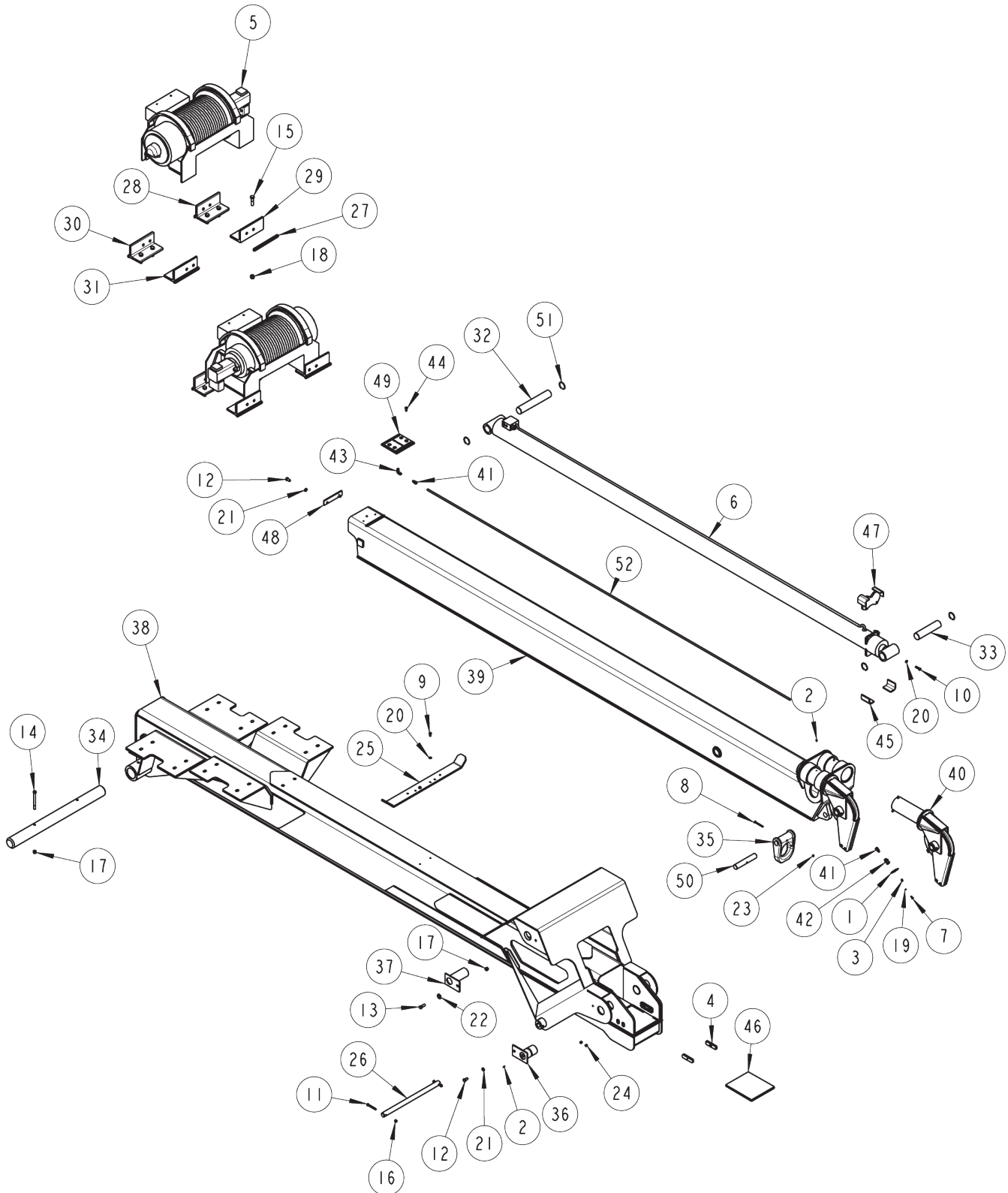


**Section I - PARTS (cont'd)****BODY ASSEMBLY**

| ITEM | PART NUMBER | DESCRIPTION                   | QTY |
|------|-------------|-------------------------------|-----|
| 1    | 0303127     | GROMMET, MARKER LIGHT         | 2   |
| 2    | 0303128     | GROMMET, TAIL LIGHT           | 12  |
| 3    | 0306958     | LIGHT OVAL AMBER 60 LED       | 8   |
| 4    | 0307220     | LIGHT OVAL AMBER 60 LED       | 4   |
| 5    | 0310496     | MARKER LAMP, RED 2-1/2" ROUND | 2   |
| 6    | 0310631     | MUD FLAP                      | 2   |
| 7    | 0310975     | TOOLBOX LH AL 156CA 2010      | 1   |
| 8    | 0310976     | TOOLBOX RH AL 156CA 2010      | 1   |
| 9    | 0400103     | 5/16-18 X 1 1/4 HHCS GR.5, ZP | 16  |
| 10   | 0400148     | 3/8-16 X 1-1/4 HHCS GR5 ZP    | 8   |
| 11   | 0400382     | 5/16-18 NYLOCK HEX NUT ZP     | 16  |
| 12   | 0400392     | 3/8-16 NYLOCK HEX NUT ZP      | 8   |
| 13   | 0717386     | BAR - MUDFLAP                 | 2   |
| 14   | 0718139     | ANGLE - MUD FLAP MOUNT        | 2   |

# Section I - PARTS (cont'd)

## BOOM ASSEMBLY



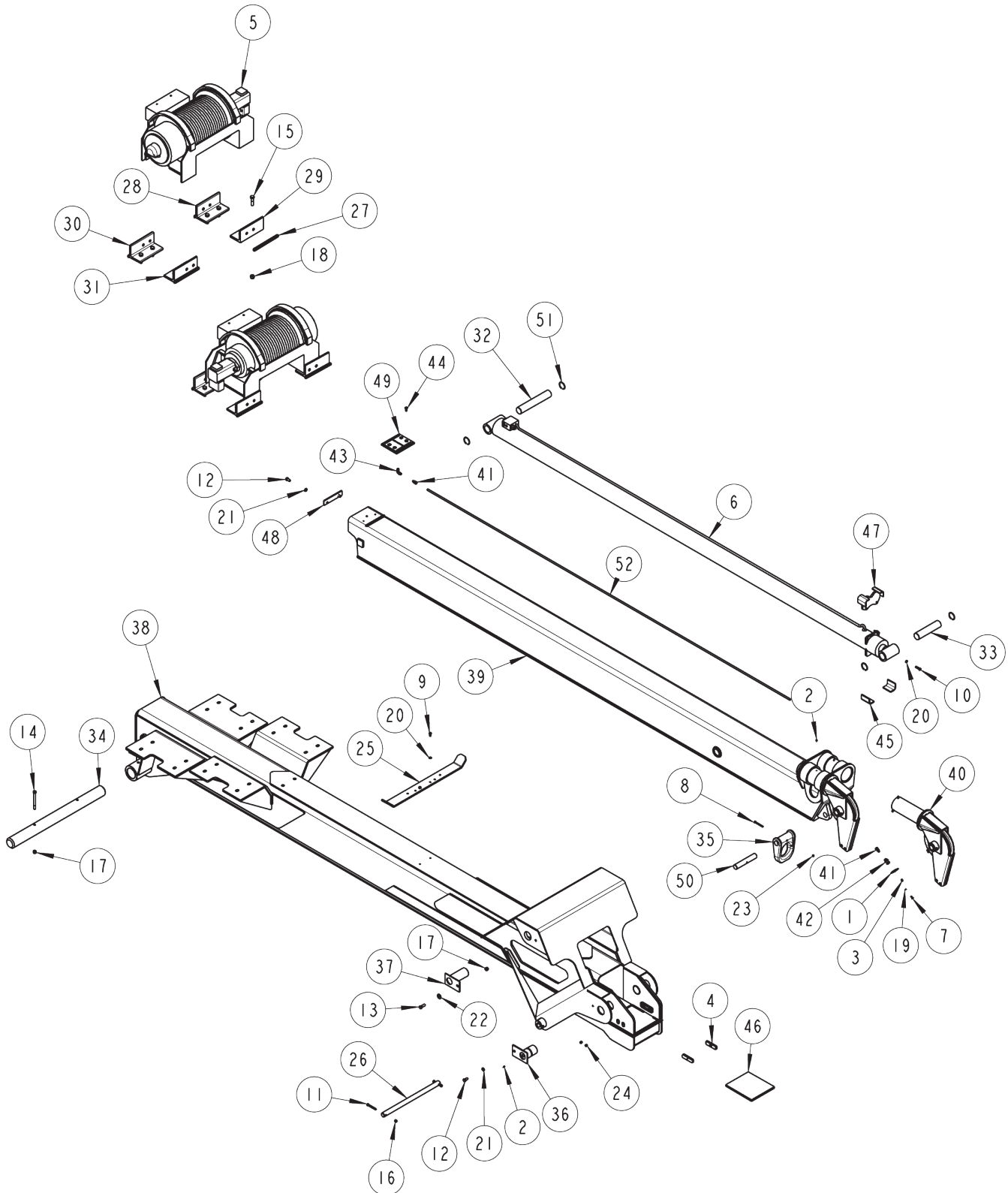
## Section I - PARTS (cont'd)

### BOOM ASSEMBLY

| ITEM | PART NUMBER | DESCRIPTION                      | QTY |
|------|-------------|----------------------------------|-----|
| 1    | 3012-793001 | PLATE - LUBE MOUNT               | 1   |
| 2    | 0300113     | GREASE FITTING, 1/4-28 STRAIGHT  | 4   |
| 3    | 0301895     | GREASE FITTING, 1/8 NPT STRAIGHT | 1   |
| 4    | 0303490     | WEAR PAD (1/2 X 1 X 4)           | 2   |
| 5    | 0303799     | WINCH, DP35K 2-SPEED             | 1   |
| 6    | 0306743     | CYLINDER, BOOM EXTEND            | 1   |
| 7    | 0400059     | 1/4-20 X 5/8 HHCS GR 5 ZP        | 2   |
| 8    | 0400114     | 5/16-18 X 3 HHCS GR 5 ZP         | 1   |
| 9    | 0400121     | 3/8-16NC X 3/4 HHCS GR. B        | 2   |
| 10   | 0400132     | 3/8-16 X 1 1/2 HHCS GR.5, ZP     | 2   |
| 11   | 0400133     | 3/8-16 X 3 HHCS GR.5, ZP         | 2   |
| 12   | 0400176     | 1/2-13 X 1 HHCS GR.5, ZP         | 4   |
| 13   | 0400181     | 1/2-13 X 1-1/2 HHCS GR 5 ZP      | 2   |
| 14   | 0400220     | 1/2-13 X 5-1/2 HHCS GR5 ZP       | 1   |
| 15   | 0400262     | 5/8-11 X 2 1/2 HHCS GR.8, ZP     | 16  |
| 16   | 0400392     | 3/8-16 NYLOCK HEX NUT ZP         | 2   |
| 17   | 0400408     | 1/2-13 NYLOCK HEX NUT ZP         | 3   |
| 18   | 0400426     | 5/8-11 NYLOCK NUT GR.8 ZP        | 16  |
| 19   | 0400452     | 1/4 HELICAL LOCK WASHER ZP       | 2   |
| 20   | 0400482     | 3/8 HELICAL LOCK WASHER ZP       | 4   |
| 21   | 0400491     | 1/2 HELICAL LOCK WASHER ZP       | 4   |
| 22   | 0400492     | 1/2 FLAT WASHER ZP               | 2   |
| 23   | 0400776     | 5/16-18 HEX NUT JAM NYLOK        | 1   |
| 24   | 0400990     | 1/2-13 X 1/2 SKT HD SET SCREW ZP | 4   |
| 25   | 0705104     | PLATE - SUPPORT                  | 1   |
| 26   | 0707793     | PIN - TILT CYLINDER ROD END      | 1   |

# Section I - PARTS (cont'd)

## BOOM ASSEMBLY (cont'd)



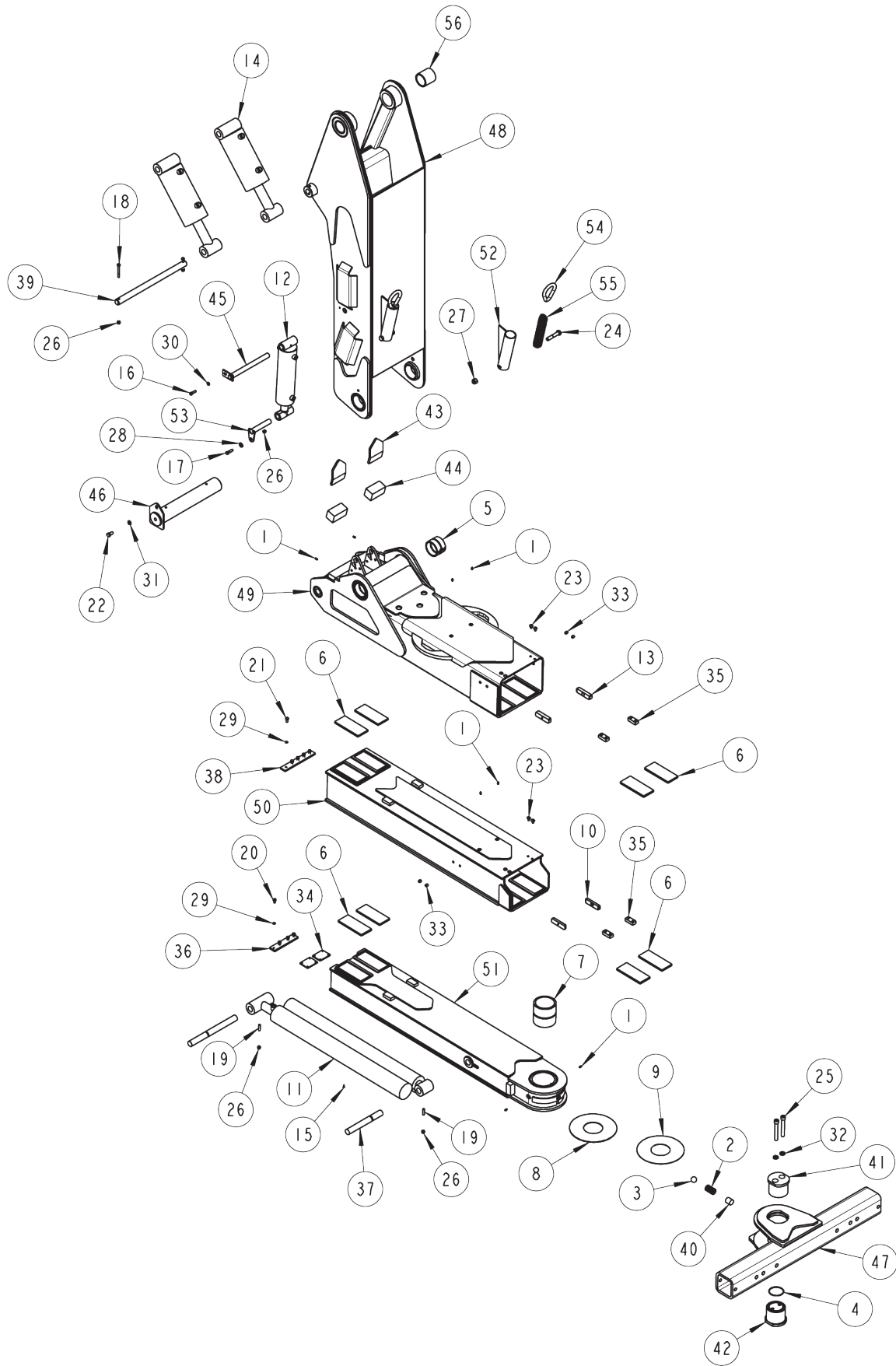
**Section I - PARTS (cont'd)**

**BOOM ASSEMBLY (cont'd)**

| ITEM | PART NUMBER | DESCRIPTION                       | QTY |
|------|-------------|-----------------------------------|-----|
| 27   | 0711164     | BLOCK - SHEAR                     | 8   |
| 28   | 0715947     | ANGLE - WINCH MOUNTING            | 2   |
| 29   | 0715948     | ANGLE - WINCH MOUNTING            | 2   |
| 30   | 0715949     | ANGLE - WINCH MOUNTING            | 2   |
| 31   | 0715950     | ANGLE - WINCH MOUNTING            | 2   |
| 32   | 0715951     | PIN - EXT CYL BASE                | 1   |
| 33   | 0715952     | PIN - EXT CYL ROD                 | 1   |
| 34   | 0715953     | PIN - BOOM PIVOT                  | 1   |
| 35   | 0719585     | "D" RING - TOWING                 | 1   |
| 36   | 0802365     | PIN-TOWER PIVOT WLMT              | 2   |
| 37   | 0802463     | LIFT CYL PIN WELDMT               | 2   |
| 38   | 0804402     | OUTER BOOM WLMT - 7035            | 1   |
| 39   | 0804403     | INNER BOOM WLMT                   | 1   |
| 40   | 0906532     | SWIVEL BOOM ASSEMBLY              | 2   |
| 43   | 9012584     | ELBOW, 1/4 NPT X 3/8 TUBE 90      | 1   |
| 44   | 9044434     | 3/8-16X1 NC FLAT                  | 2   |
| 45   | 915040501   | BOTTOM CLAMP ANGLE EXT. CYL. ASSY | 2   |
| 46   | 930100002   | LOWER WEAR PAD - RECOVERY         | 1   |
| 47   | 930105000   | SPIDER CLAMP - TOP WLMT           | 1   |
| 48   | 945030001   | PAD RETAINING PLATE               | 1   |
| 49   | 945030004   | WEAR PAD (UPPER)                  | 1   |
| 50   | GA0215      | PIN, D RING                       | 1   |
| 51   | HD0151      | SNAP RING - 2" INTERNAL           | 4   |
| 52   | 0301949     | 3/8" OD AIRLINE, SYNDFLEX         | 1   |

# Section I - PARTS (cont'd)

## UNDERLIFT & TOWER ASSEMBLY





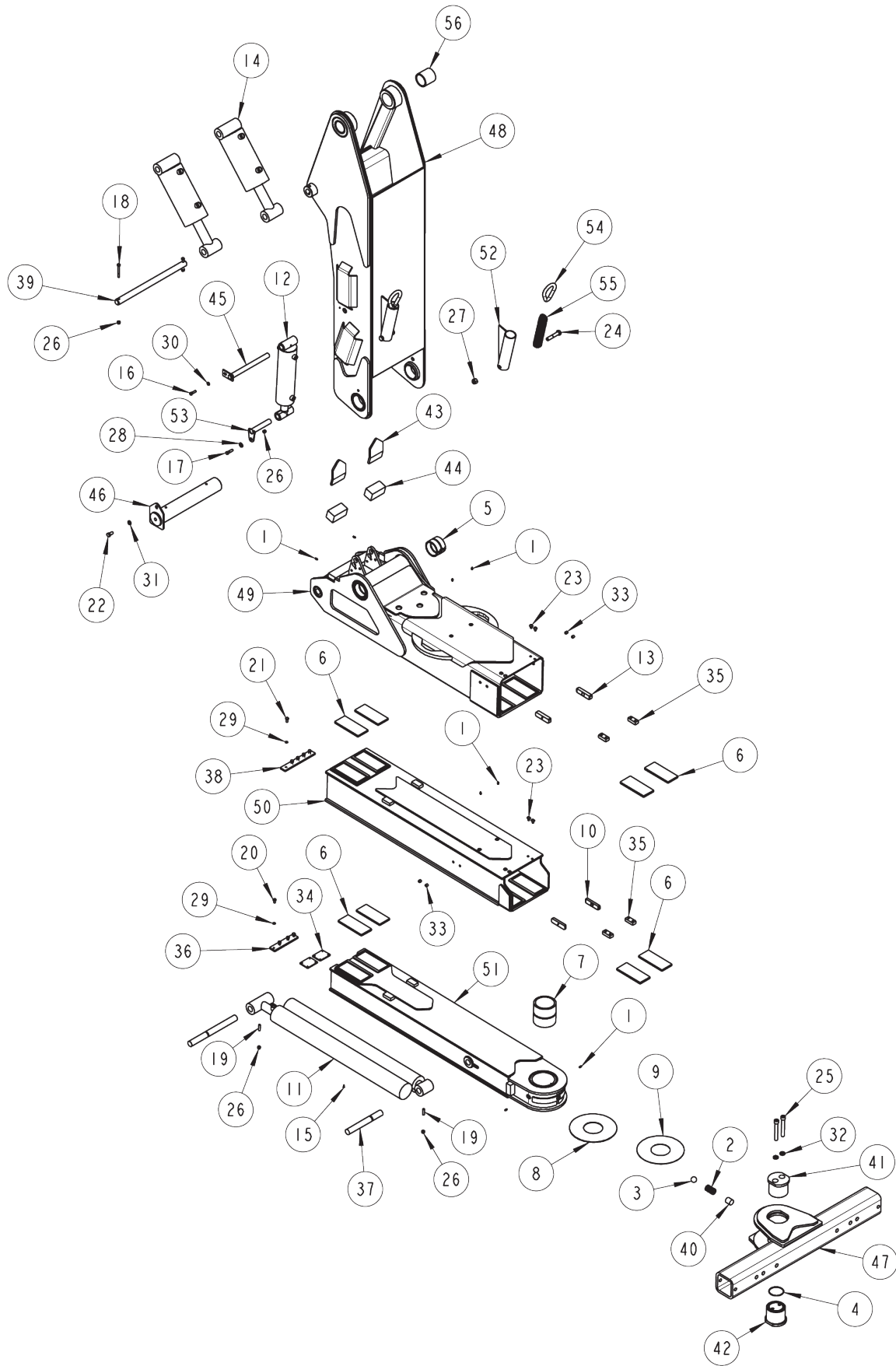
## Section I - PARTS (cont'd)

### UNDERLIFT & TOWER ASSEMBLY

| ITEM | PART NUMBER | DESCRIPTION                           | QTY |
|------|-------------|---------------------------------------|-----|
| 1    | 0300113     | GREASE FITTING, 1/4-28 STRAIGHT       | 8   |
| 2    | 0301197     | DETENT SPRING                         | 1   |
| 3    | 0301398     | DETENT BALL                           | 1   |
| 4    | 0301822     | O-RING, PIVOT PIN                     | 1   |
| 5    | 0302538     | SPRING BUSHING, 3.5OD X 3ID X 2.5     | 2   |
| 6    | 0302561     | SLIDE PAD                             | 8   |
| 7    | 0303088     | BUSHING, PIVOT PIN                    | 1   |
| 8    | 0303097     | THRUST WASHER, 1/8" THICK             | 1   |
| 9    | 0303098     | THRUST WASHER, 1/16" THICK            | 1   |
| 10   | 0303490     | WEAR PAD (1/2 X 1 X 4)                | 2   |
| 11   | 0306744     | CYLINDER - U/L EXTEND                 | 1   |
| 12   | 0306746     | CYLINDER, HYD LIFT                    | 1   |
| 13   | 0306825     | PAD - WEAR                            | 2   |
| 14   | 0307040     | CYL - U/L TILT                        | 2   |
| 15   | 0400044     | DRIVE SCREW, #10-24 X 1/2" RD HD      | 8   |
| 16   | 0400122     | 3/8-16 X 1 1/4 HHCS GR.5, ZP          | 1   |
| 17   | 0400132     | 3/8-16 X 1 1/2 HHCS GR.5, ZP          | 1   |
| 18   | 0400133     | 3/8-16 X 3 HHCS GR.5, ZP              | 2   |
| 19   | 0400139     | SCREW, 3/8"-16 X 1-1/2" HEX SKT SET   | 2   |
| 20   | 0400147     | 3/8-24X 5/8 HHCS GR5 ZP               | 4   |
| 21   | 0400151     | 3/8-24 X 3/4 HHCS GR5 ZP              | 5   |
| 22   | 0400176     | 1/2-13 X 1 HHCS GR.5, ZP              | 1   |
| 23   | 0400228     | SCREW, 3/8"-24 X 5/8" BUTTON HEAD SKT | 8   |
| 24   | 0400257     | 5/8-11 X 3-1/4 HHCS GR5 ZP            | 2   |
| 25   | 0400271     | SCREW, 5/8"-11 X 4-1/2" SKT HD CAP    | 2   |
| 26   | 0400392     | 3/8-16 NYLOCK HEX NUT ZP              | 5   |
| 27   | 0400421     | 5/8-11 NYLOCK HEX NUT ZP              | 2   |
| 28   | 0400480     | 3/8 FLAT WASHER ZP                    | 1   |

# Section I - PARTS (cont'd)

## UNDERLIFT & TOWER ASSEMBLY (cont'd)



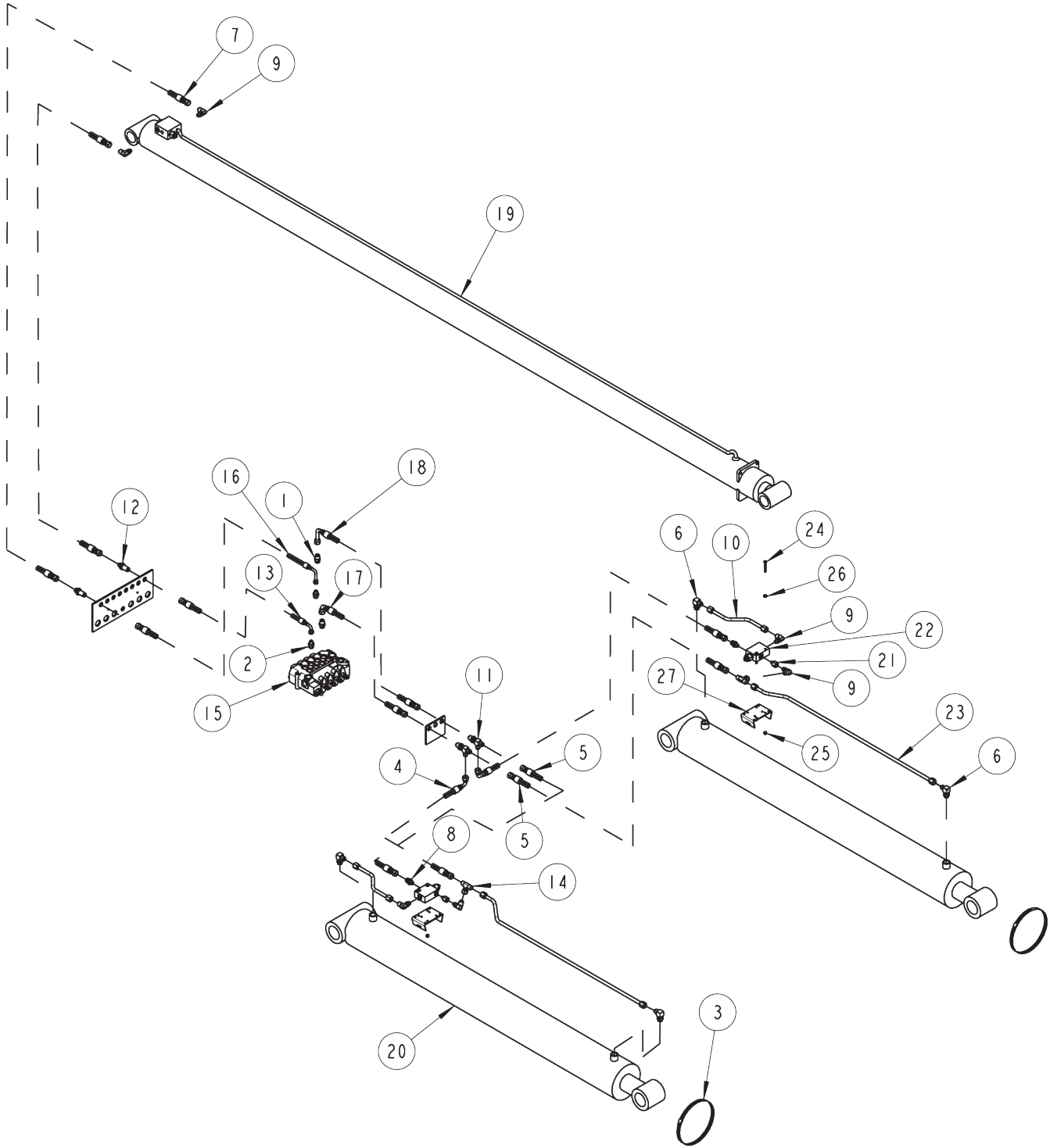
**Section I - PARTS (cont'd)**

**UNDERLIFT & TOWER ASSEMBLY (cont'd)**

| ITEM | PART NUMBER | DESCRIPTION                      | QTY |
|------|-------------|----------------------------------|-----|
| 29   | 0400481     | LOCKWASHER, 3/8" EXT TOOTH       | 9   |
| 30   | 0400482     | 3/8 HELICAL LOCK WASHER ZP       | 1   |
| 31   | 0400491     | 1/2 HELICAL LOCK WASHER ZP       | 1   |
| 32   | 0400508     | 5/8 HELICAL LOCK WASHER ZP       | 2   |
| 33   | 0400990     | 1/2-13 X 1/2 SKT HD SET SCREW ZP | 8   |
| 34   | 0703277     | SLIDER PAD                       | 2   |
| 35   | 0706995     | BLOCK, STOP 2ND STAGE            | 4   |
| 36   | 0706996     | SPACER PAD                       | 1   |
| 37   | 0707019     | EXTEND CYLINDER SHAFT            | 1   |
| 38   | 0707028     | PAD, BEARING                     | 1   |
| 39   | 0707792     | PIN - TILT CYLINDER - BASE END   | 1   |
| 40   | 0708470     | SPACER - DETENT BALL             | 1   |
| 41   | 0710051     | PIVOT PIN, TOP HALF              | 1   |
| 42   | 0710052     | PIVOT PIN, BOTTOM HALF           | 1   |
| 43   | 0717657     | PLATE - STOP BLOCK SUPPORT       | 2   |
| 44   | 0717851     | STOP BLOCK                       | 2   |
| 45   | 0802459     | PIN-FOLD CYL. WLDMT              | 1   |
| 46   | 0802461     | PIN - UNDERLIFT PIVOT WELDMENT   | 1   |
| 47   | 0802914     | CROSSBAR WELDMENT                | 1   |
| 48   | 0804421     | TOWER WELDMENT - 7035            | 1   |
| 49   | 0804422     | OUTER BOOM WLMT                  | 1   |
| 50   | 0804423     | 2ND STAGE U/L BOOM               | 1   |
| 51   | 0804424     | 3RD STAGE BOOM WLMT              | 1   |
| 52   | 0804483     | CABLE TIE BACK WLMT              | 2   |
| 53   | 0806756     | PIN WELDMENT - FOLD CYLINDER     | 1   |
| 54   | 9048800     | 5/8 WELDLESS CHAIN LINK          | 2   |
| 55   | 945030007   | SPRING - HOSE TENSIONER          | 2   |
| 56   | RB0205      | SPLIT BUSHING                    | 2   |

Section I - PARTS (cont'd)

BOOM HYDRAULICS



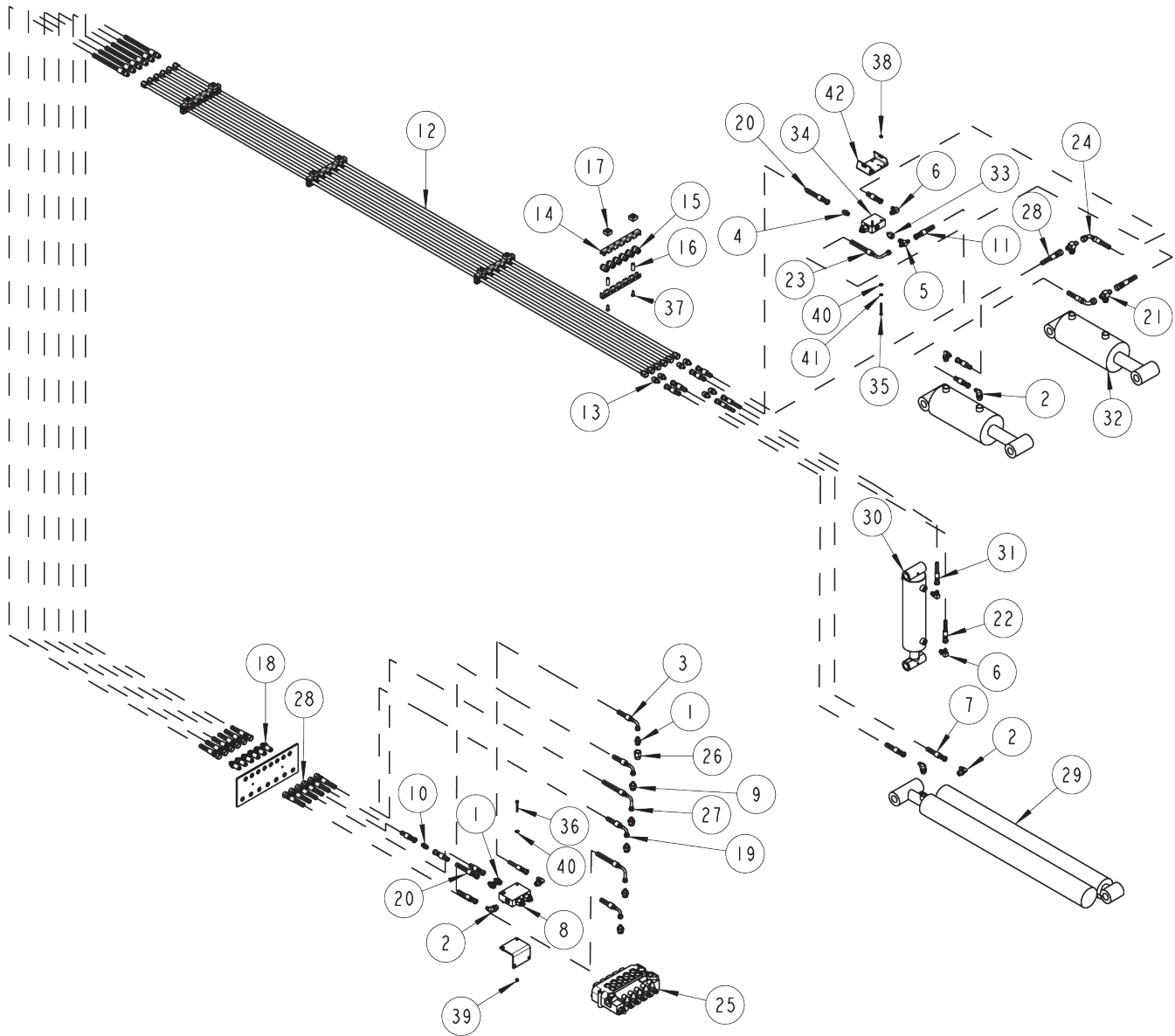
## Section I - PARTS (cont'd)

### BOOM HYDRAULICS

| ITEM | PART NUMBER | DESCRIPTION                        | QTY |
|------|-------------|------------------------------------|-----|
| 1    | 0300041     | CONNECTOR 8MJX8MB                  | 2   |
| 2    | 0300044     | CONNECTOR 6MJX8MB                  | 2   |
| 3    | 0300644     | HOSE CLAMP, 8"                     | 2   |
| 4    | 0300657     | HOSE ASSEMBLY, 46" LG              | 2   |
| 5    | 0300659     | HOSE ASSEMBLY, 45" LG              | 3   |
| 6    | 0301388     | ELBOW, 8MJ-8MB90                   | 4   |
| 7    | 0301529     | HOSE ASSEMBLY - 58 LG.             | 2   |
| 8    | 0302275     | CONNECTOR 8MJX6MB                  | 2   |
| 9    | 0302276     | ELBOW, 8MJ-6MB90                   | 6   |
| 10   | 0302568     | HYDRAULIC TUBING                   | 2   |
| 11   | 0302574     | FITTING - BULKHEAD - RUN TEE W/NUT | 2   |
| 12   | 0302576     | FITTING, BULKHEAD UNION            | 2   |
| 13   | 0302584     | HOSE ASSEMBLY, 50" LG.             | 1   |
| 14   | 0302796     | BRANCH TEE, 8MJ-8MJ-8FJX           | 2   |
| 15   | 0303093     | CONTROL VALVE, VDP11DDDC110        | 1   |
| 16   | 0303348     | HOSE ASSEMBLY, 48" LG              | 1   |
| 17   | 0303354     | HOSE ASSEMBLY, 33" LG              | 1   |
| 18   | 0303355     | HOSE ASSEMBLY, 45" LG.             | 1   |
| 19   | 0306743     | CYLINDER, BOOM EXTEND              | 1   |
| 20   | 0306747     | CYL - BOOM LIFT                    | 2   |
| 21   | 0307106     | CONNECTOR 4MBX6FB                  | 2   |
| 22   | 0307107     | VALVE HOLDING 4000 PSI SAE         | 2   |
| 23   | 0307614     | HYDRAULIC TUBING                   | 2   |
| 24   | 0400078     | 1/4-20 X 2 HHCS GR5 ZP             | 4   |
| 25   | 0400367     | 1/4-20 NYLOCK HEX NUT ZP           | 4   |
| 26   | 0400451     | 1/4 FLAT WASHER ZP                 | 4   |
| 27   | 0703001     | BRACKET - MOUNTING                 | 2   |

# Section I - PARTS (cont'd)

## UNDERLIFT HYDRAULICS



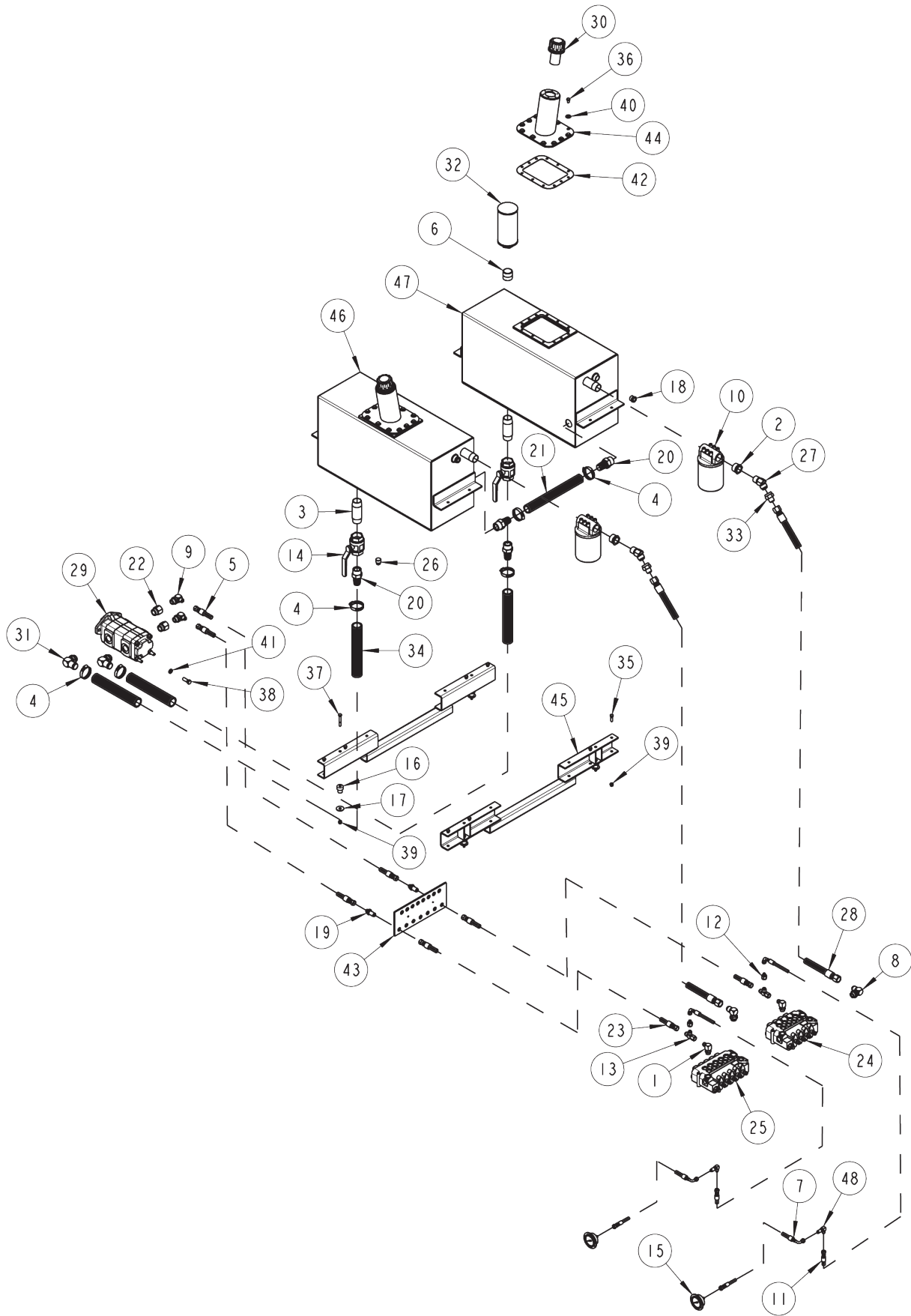
## Section I - PARTS (cont'd)

### UNDERLIFT HYDRAULICS

| ITEM | PART NUMBER | DESCRIPTION                           | QTY |
|------|-------------|---------------------------------------|-----|
| 1    | 0300044     | CONNECTOR 6MJX8MB                     | 3   |
| 2    | 0301470     | ELBOW, 6MJ-8MB90                      | 6   |
| 3    | 0301473     | HOSE ASSEMBLY, 18" LG                 | 2   |
| 4    | 0301522     | CONNECTOR 6MJ-6MB                     | 1   |
| 5    | 0301619     | BRANCH TEE, 6MJ-6MJ-6MB               | 1   |
| 6    | 0301620     | FITTING, ELBOW, 6MJ-6MB90             | 3   |
| 7    | 0301662     | HOSE ASSEMBLY - 120" LG               | 2   |
| 8    | 0301730     | DOUBLE HOLDING VALVE                  | 1   |
| 9    | 0301778     | CONNECTOR 6MJX10MB                    | 5   |
| 10   | 0301837     | INLINE ORIFICE                        | 1   |
| 11   | 0302035     | HOSE ASSEMBLY, 18" LG                 | 1   |
| 12   | 0302504     | TUBE ASSEMBLY                         | 6   |
| 13   | 0302514     | ADAPTER, 8MJ-6MJ                      | 6   |
| 14   | 0302548     | CLAMPING UNIT (SET) HC-10-6           | 8   |
| 15   | 0302549     | SPLIT BUSH RUBBER C-SB10-8 1/2        | 24  |
| 16   | 0302551     | SOCKET HEAD C-SN-10                   | 8   |
| 17   | 0302552     | WELD ADAPTER, C-WA-10                 | 8   |
| 18   | 0302576     | FITTING, BULKHEAD UNION               | 6   |
| 19   | 0302584     | HOSE ASSEMBLY, 50" LG.                | 2   |
| 20   | 0302805     | HOSE ASSY - 10" LG                    | 2   |
| 21   | 0302842     | ELBOW, 8MJ-8MB90                      | 2   |
| 22   | 0302911     | HOSE ASSEMBLY, 88" LG                 | 1   |
| 23   | 0302914     | HOSE ASSEMBLY, 35" LG                 | 1   |
| 24   | 0302915     | HOSE ASSEMBLY, 12" LG                 | 2   |
| 25   | 0303094     | VALVE, 5 SPOOL PARKER                 | 1   |
| 26   | 0303176     | CONNECTOR 10MPX8FB                    | 1   |
| 27   | 0303348     | HOSE ASSEMBLY, 48" LG                 | 2   |
| 28   | 0303563     | HOSE ASSEMBLY, 27" LG                 | 2   |
| 29   | 0306744     | CYLINDER - U/L EXTEND                 | 1   |
| 30   | 0306746     | CYLINDER, HYD LIFT                    | 1   |
| 31   | 0306870     | HOSE ASSEMBLY, 96" LG                 | 1   |
| 32   | 0307040     | CYL - U/L TILT                        | 2   |
| 33   | 0307106     | CONNECTOR 4MBX6FB                     | 1   |
| 34   | 0307107     | VALVE HOLDING 4000 PSI SAE            | 1   |
| 35   | 0400064     | SCREW, 1/4"-20 X 2 1/4" RD HD PHIL SS | 2   |
| 36   | 0400078     | 1/4-20 X 2 HHCS GR5 ZP                | 2   |
| 37   | 0400118     | 5/16-18 X 3/4 HHCS GR.5 ZP            | 8   |
| 38   | 0400366     | 1/4-20 HEX NUT ZP                     | 2   |
| 39   | 0400367     | 1/4-20 NYLOCK HEX NUT ZP              | 2   |
| 40   | 0400451     | 1/4 FLAT WASHER ZP                    | 4   |
| 41   | 0400452     | 1/4 HELICAL LOCK WASHER ZP            | 2   |
| 42   | 0703001     | BRACKET - MOUNTING                    | 1   |
| 43   | 0716201     | PLATE - BULKHEAD MOUNTING             | 1   |

# Section I - PARTS (cont'd)

## PUMP, VALVE & FILTER HYDRAULICS





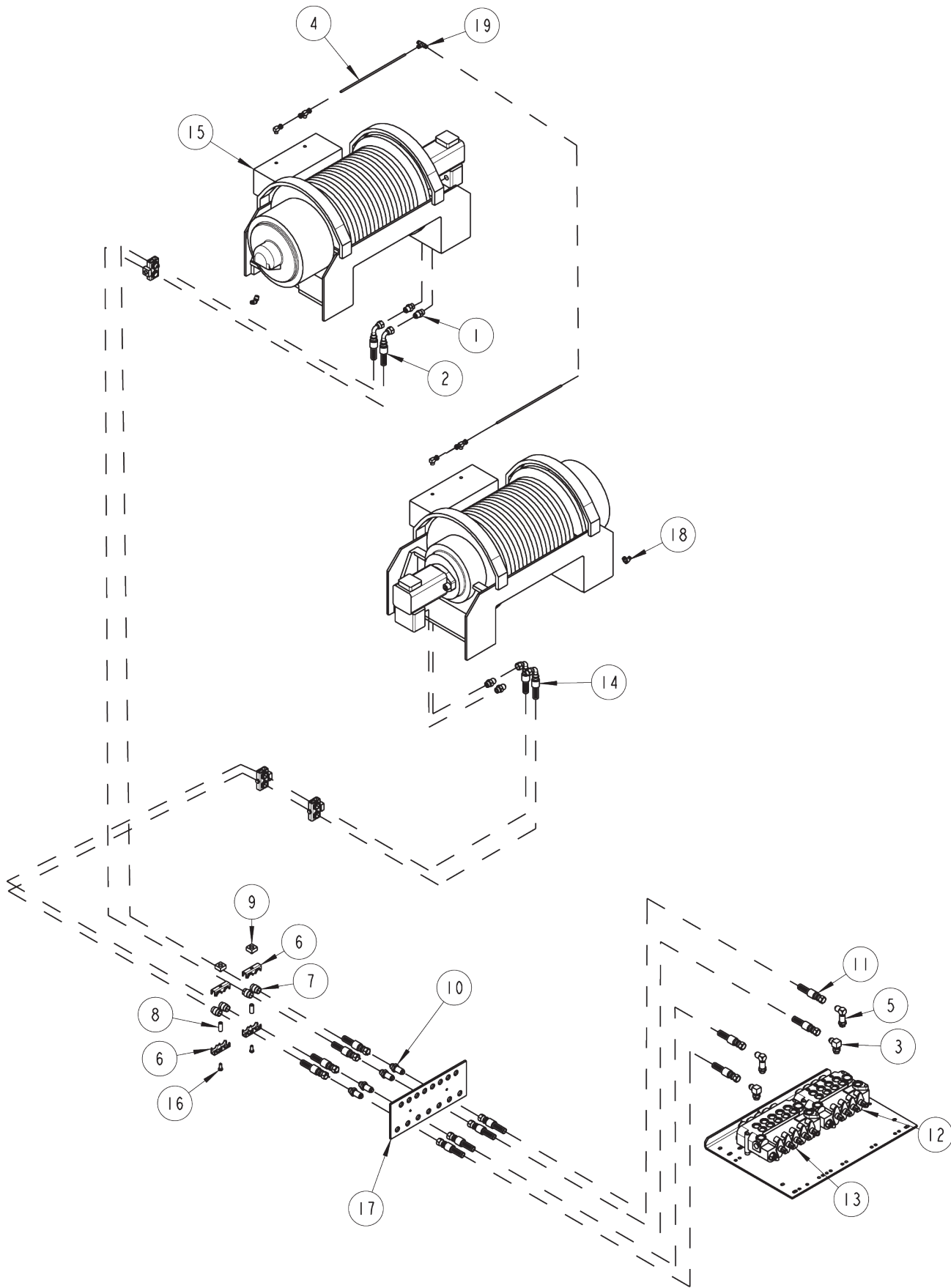
## Section I - PARTS (cont'd)

### PUMP, VALVE & FILTER HYDRAULICS

| ITEM | PART NUMBER | DESCRIPTION                            | QTY |
|------|-------------|--|-----|
| 1    | 0300052     | ELBOW, 8MJ-10MB90                      | 2   |
| 2    | 0300287     | PIPE BUSHING, 1 1/4" TO 1" NPT REDUCER | 2   |
| 3    | 0300348     | NIPPLE - 1-1/2 X 5                     | 2   |
| 4    | 0300364     | HOSE CLAMP, 7/8" TO 2-3/4"             | 6   |
| 5    | 0300660     | HOSE ASSEMBLY - 120" LG                | 2   |
| 6    | 0301350     | PIPE, 1-1/2" CLOSE NIPPLE              | 2   |
| 7    | 0301473     | HOSE ASSEMBLY, 18" LG                  | 2   |
| 8    | 0301545     | ELBOW, 12MJ-12MB90                     | 2   |
| 9    | 0301547     | ELBOW, 8MJ-12MB90                      | 2   |
| 10   | 0301894     | FILTER ASSEMBLY, SPIN ON               | 2   |
| 11   | 0301965     | HOSE ASSEMBLY, 131" LG.                | 2   |
| 12   | 0301995     | ADAPTER, 8FJ-6MJ STRAIGHT              | 2   |
| 13   | 0302052     | RUN TEE, 8MJ-8MJ-8FJX                  | 2   |
| 14   | 0302088     | BALL VALVE - 1 1/2 BRONZE              | 2   |
| 15   | 0302205     | GAUGE, FLUSH MOUNT 6000 PSI            | 2   |
| 16   | 0302227     | CENTER BONDED MOUNT                    | 4   |
| 17   | 0302228     | SPECIAL WASHER                         | 4   |
| 18   | 0302570     | SIGHT GAUGE                            | 2   |
| 19   | 0302576     | FITTING, BULKHEAD UNION                | 2   |
| 20   | 0302698     | HOSE BARB, 1-1/4"                      | 4   |
| 21   | 0302756     | SUCTION HOSE, 1-1/4" ID (100R4)        | 1   |
| 22   | 0302906     | ADAPTER, 16MB-12FB                     | 2   |
| 23   | 0302955     | HOSE ASSY - 48 1/4"                    | 2   |
| 24   | 0303093     | CONTROL VALVE, VDP11DDDC110            | 1   |
| 25   | 0303094     | VALVE, 5 SPOOL PARKER                  | 1   |
| 26   | 0303155     | PIPE PLUG - 3/4 NPT (MAGNETIC)         | 2   |
| 27   | 0303338     | ELBOW, 16MJ-16MP45                     | 2   |
| 28   | 0303435     | HOSE ASSEMBLY - 58" LG                 | 2   |
| 29   | 0303867     | PUMP, BI-ROTATIONAL                    | 1   |
| 30   | 0305006     | FILLER CAP                             | 2   |
| 31   | 0306539     | HOSE BARB, 20HOSE-16MB90               | 2   |
| 32   | 0307344     | SUCTION STRAINERS                      | 2   |
| 33   | 0307345     | CONNECTOR, 16MJ-20MP                   | 2   |
| 34   | 0310010     | SUCTION HOSE, 1-1/2" I.D. 100R4        | 2   |
| 35   | 0400122     | 3/8-16 X 1 1/4 HHCS GR.5, ZP           | 8   |
| 36   | 0400149     | 3/8-16 X 5/8 HHCS GR5 ZP               | 24  |
| 37   | 0400150     | 3/8-16 X 2-1/2 HHCS GR5 ZP             | 4   |
| 38   | 0400181     | 1/2-13 X 1-1/2 HHCS GR 5 ZP            | 2   |
| 39   | 0400392     | 3/8-16 NYLOCK HEX NUT ZP               | 12  |
| 40   | 0400480     | 3/8 FLAT WASHER ZP                     | 24  |
| 41   | 0400491     | 1/2 HELICAL LOCK WASHER ZP             | 2   |
| 42   | 0706114     | GASKET - CLEANOUT & FILLER COVER       | 2   |
| 43   | 0716201     | PLATE - BULKHEAD MOUNTING              | 1   |
| 44   | 0802747     | FILLER PIPE WELD'T                     | 2   |
| 45   | 0803193     | SUPPORT - RESERVOIR WELDMENT           | 2   |
| 46   | 0806653     | RESERVOIR LEFT WELDMENT                | 1   |
| 47   | 0806654     | RESERVOIR RIGHT WELDMENT               | 1   |
| 48   | FC41        | ELBOW - BULKHEAD                       | 2   |

# Section I - PARTS (cont'd)

## WINCH HYDRAULICS



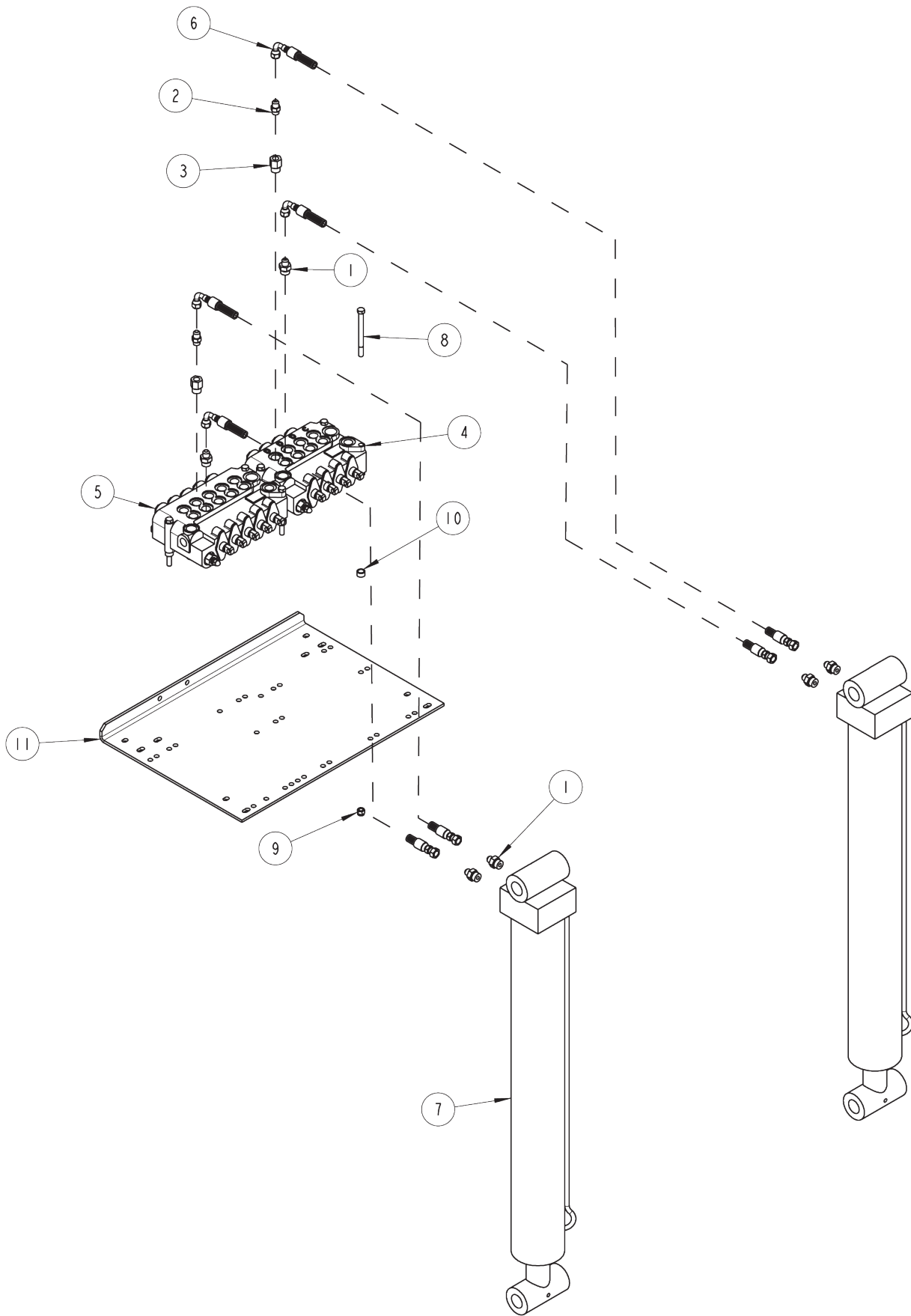
**Section I - PARTS (cont'd)**

**WINCH HYDRAULICS**

| ITEM | PART NUMBER | DESCRIPTION                          | QTY |
|------|-------------|--------------------------------------|-----|
| 1    | 0300041     | CONNECTOR 8MJX8MB                    | 4   |
| 2    | 0301207     | HOSE ASSEMBLY - 72" LG               | 2   |
| 3    | 0301388     | ELBOW, 8MJ-8MB90                     | 2   |
| 4    | 0301577     | TUBING- PLASTIC 1/4 OD X 5" AIR LINE | 2   |
| 5    | 0302508     | ELBOW, 8MJ-8MB90LL                   | 2   |
| 6    | 0302546     | CLAMPING UNIT (SET) HC-10-2          | 10  |
| 7    | 0302550     | SPLIT BUSH RUBBER C-SB10-12 3/4      | 10  |
| 8    | 0302551     | SOCKET HEAD C-SN-10                  | 5   |
| 9    | 0302552     | WELD ADAPTER, C-WA-10                | 5   |
| 10   | 0302576     | FITTING, BULKHEAD UNION              | 4   |
| 11   | 0302955     | HOSE ASSY - 48 1/4"                  | 4   |
| 12   | 0303093     | CONTROL VALVE, VDP11DDDC110          | 1   |
| 13   | 0303094     | VALVE, 5 SPOOL PARKER                | 1   |
| 14   | 0303763     | HOSE ASSEMBLY - 94"                  | 2   |
| 15   | 0303799     | WINCH, DP35K 2-SPEED                 | 1   |
| 16   | 0400118     | 5/16-18 X 3/4 HHCS GR.5 ZP           | 5   |
| 17   | 0716201     | PLATE - BULKHEAD MOUNTING            | 1   |
| 18   | 9010520     | FITTING, BRASS ELB. 1/4T-1/4MP       | 2   |
| 19   | 9011071     | FITTING, BRASS TEE 1/4T-1/4T-1/4T    | 1   |

# Section I - PARTS (cont'd)

## SPADE HYDRAULICS



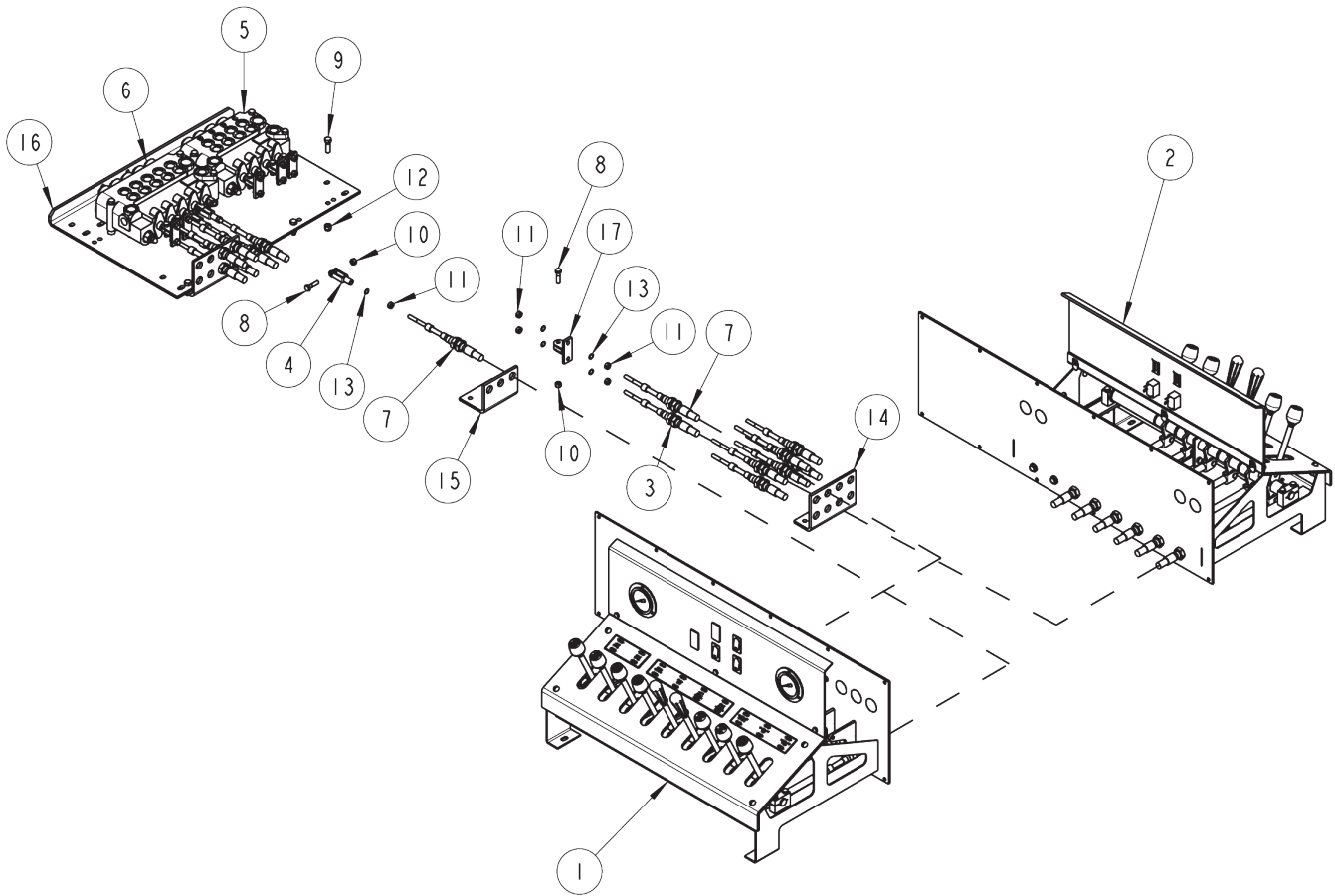
## Section I - PARTS (cont'd)

### SPADE HYDRAULICS

| ITEM | PART NUMBER | DESCRIPTION                   | QTY |
|------|-------------|-------------------------------|-----|
| 1    | 0300044     | CONNECTOR 6MJX8MB             | 6   |
| 2    | 0301522     | CONNECTOR 6MJ-6MB             | 2   |
| 3    | 0303017     | CONNECTOR 8MBX6FB             | 2   |
| 4    | 0303093     | CONTROL VALVE, VDP11DDDC110   | 1   |
| 5    | 0303094     | VALVE, 5 SPOOL PARKER         | 1   |
| 6    | 0303748     | HOSE ASSEMBLY, 32"            | 4   |
| 7    | 0307843     | CYLINDER - 4" BORE 30" STROKE | 2   |
| 8    | 0400135     | 3/8-16 X 4-1/2 HHCS GR 5 ZP   | 6   |
| 9    | 0400392     | 3/8-16 NYLOCK HEX NUT ZP      | 6   |
| 10   | 0704045     | SPACER, CONTROL VALVE         | 6   |
| 11   | 0717827     | PLATE - VALVE MOUNTING        | 1   |

# Section I - PARTS (cont'd)

## CONTROL ASSEMBLY



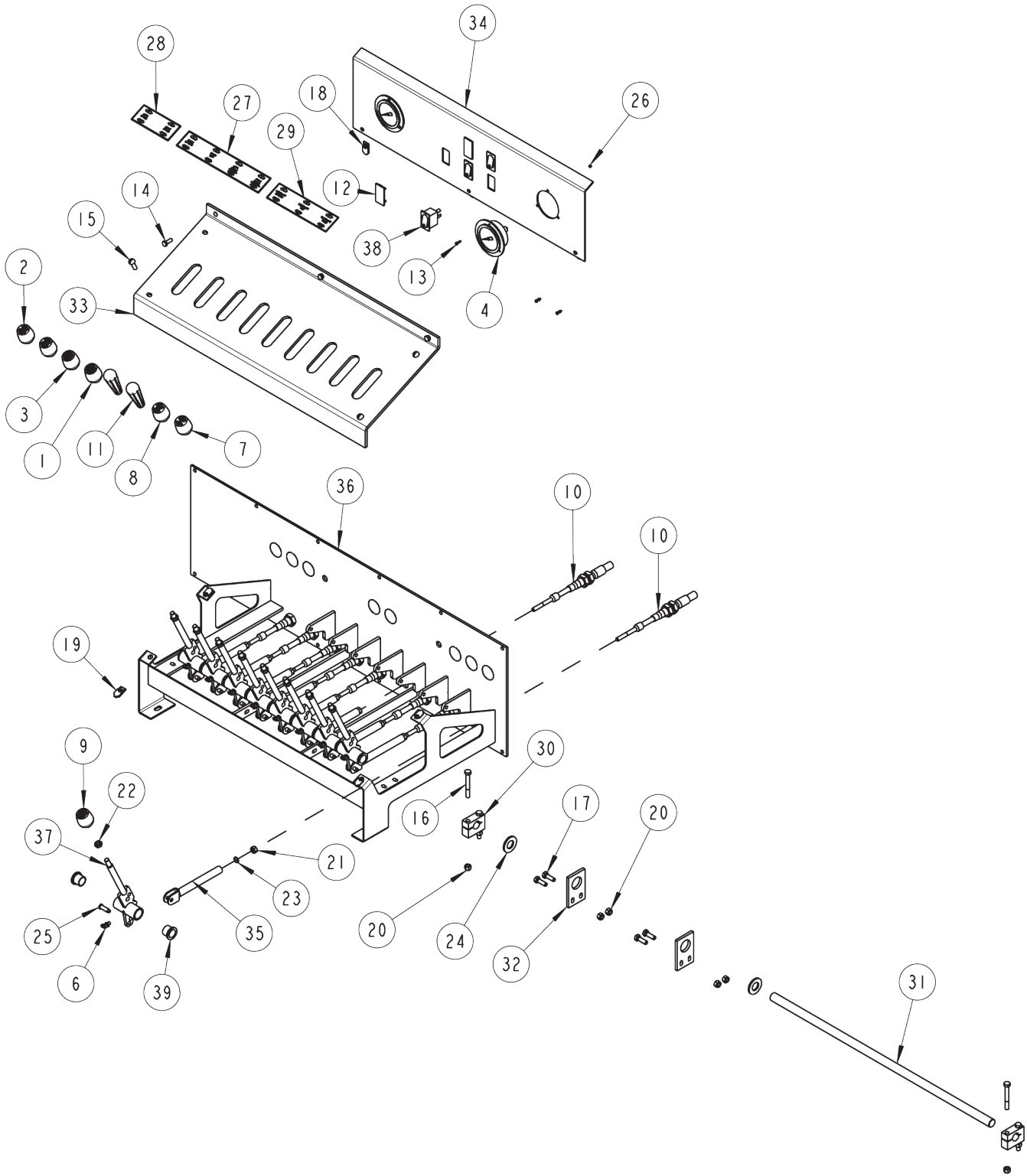
**Section I - PARTS (cont'd)**

**CONTROL ASSEMBLY**

| ITEM | PART NUMBER | DESCRIPTION                      | QTY |
|------|-------------|----------------------------------|-----|
| 1    | --          | 7035 CONTROL ASSEMBLY 9 HANDLES  | 1   |
| 2    | --          | 7035 CONTROL ASSEMBLY RH 6H      | 1   |
| 3    | 0302457     | CONTROL CABLE                    | 5   |
| 4    | 0303008     | CLEVIS - ADJUSTABLE              | 3   |
| 5    | 0303093     | CONTROL VALVE, VDP11DDDC110      | 1   |
| 6    | 0303094     | VALVE, 5 SPOOL PARKER            | 1   |
| 7    | 0303427     | CONTROL CABLE                    | 10  |
| 8    | 0400103     | 5/16-18 X 1 1/4 HHCS GR.5, ZP    | 9   |
| 9    | 0400122     | 3/8-16 X 1 1/4 HHCS GR.5, ZP     | 6   |
| 10   | 0400382     | 5/16-18 NYLOCK HEX NUT ZP        | 11  |
| 11   | 0400383     | 5/16-24 HEX NUT ZP               | 27  |
| 12   | 0400392     | 3/8-16 NYLOCK HEX NUT ZP         | 12  |
| 13   | 0400466     | LOCKWASHER, 5/16" INTERNAL TOOTH | 27  |
| 14   | 0711249     | PLATE - CONTROL BOX              | 2   |
| 15   | 0711250     | PLATE - CONTROL BOX              | 1   |
| 16   | 0717827     | PLATE - VALVE MOUNTING           | 1   |
| 17   | 0801054     | CONNECTOR - CONTROL CABLE        | 6   |

# Section I - PARTS (cont'd)

## LEFT CONTROL ASSEMBLY





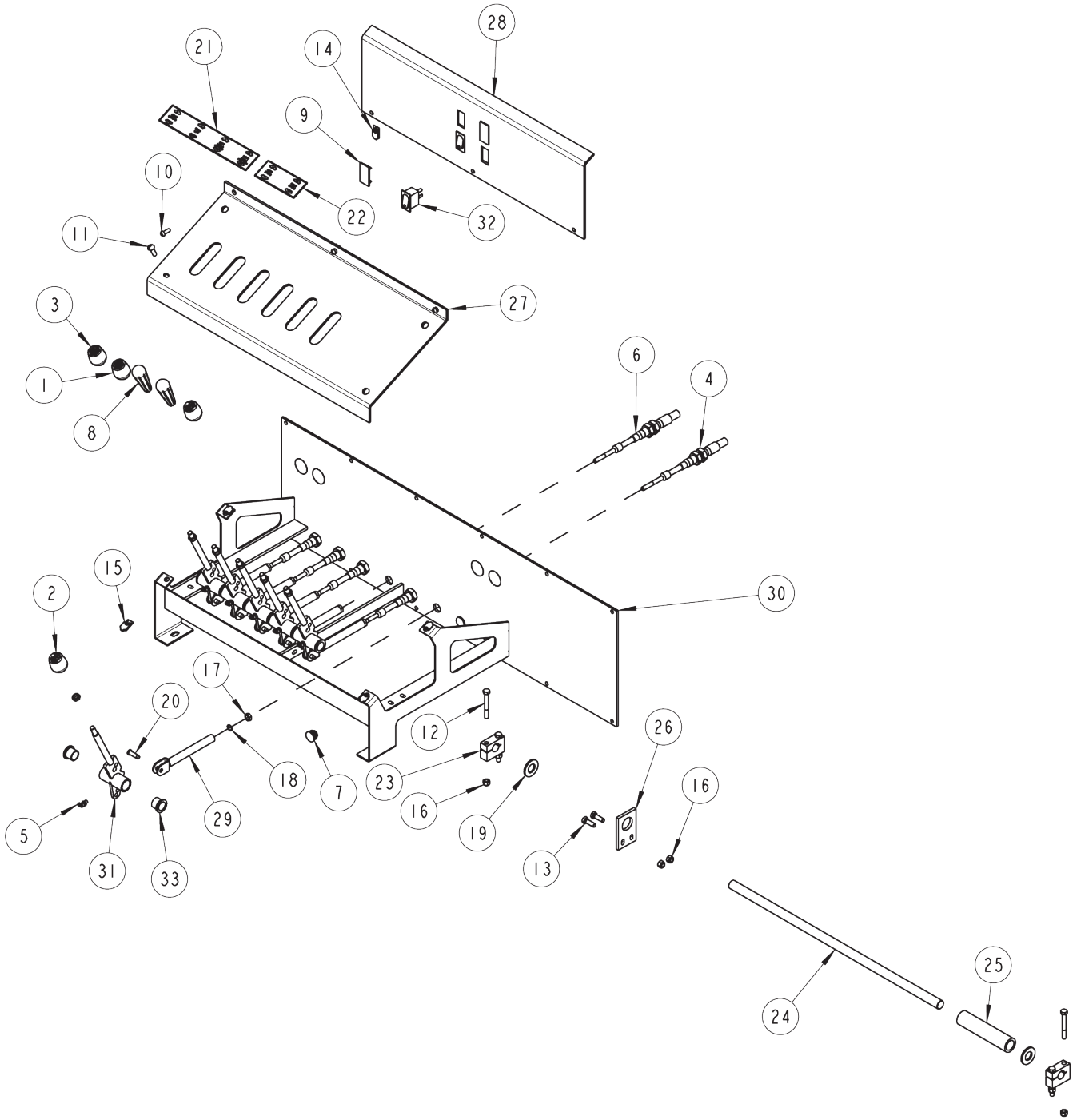
## Section I - PARTS (cont'd)

### LEFT CONTROL ASSEMBLY

| ITEM | PART NUMBER | DESCRIPTION                           | QTY |
|------|-------------|---------------------------------------|-----|
| 1    | 0300835     | KNOB, BOOM (UP-DN)                    | 1   |
| 2    | 0300836     | KNOB, JACK (UP-DN)                    | 2   |
| 3    | 0300837     | KNOB, BOOM (IN-OUT)                   | 1   |
| 4    | 0302205     | GAUGE, FLUSH MOUNT 6000 PSI           | 2   |
| 5    | 0302457     | CONTROL CABLE                         | 3   |
| 6    | 0302726     | GREASE FITTING, 1/4"-28 X 45°         | 9   |
| 7    | 0302856     | KNOB, TILT (UP-DN)                    | 1   |
| 8    | 0302917     | KNOB, WHL LIFT EXT (IN-OUT)           | 1   |
| 9    | 0303382     | KNOB, FOLD (UP-DN)                    | 1   |
| 10   | 0303427     | CONTROL CABLE                         | 6   |
| 11   | 0307604     | KNOB - RED LONG                       | 2   |
| 12   | 0307778     | PLUG, FILLER                          | 2   |
| 13   | 0400005     | #6-32 X .5 FLAT HEAD PHILLIPS         | 6   |
| 14   | 0400066     | 1/4-20 X 3/4 HHCS GR.5, ZP            | 3   |
| 15   | 0400101     | SCREW, 5/16"-18 X 1" RD HD SLOTTED SS | 4   |
| 16   | 0400107     | 5/16-2.5 X 2-1/2 HHCS                 | 4   |
| 17   | 0400109     | 5/16-18 X 1 HHCS GR.5, ZP             | 4   |
| 18   | 0400369     | 1/4 "J" TYPE TINNERMAN                | 3   |
| 19   | 0400379     | CLIP, 5/16" "J" TYPE TINNERMAN        | 4   |
| 20   | 0400382     | 5/16-18 NYLOCK HEX NUT ZP             | 8   |
| 21   | 0400383     | 5/16-24 HEX NUT ZP                    | 9   |
| 22   | 0400393     | 3/8"-16 HEX JAM NUT                   | 9   |
| 23   | 0400466     | LOCKWASHER, 5/16" INTERNAL TOOTH      | 9   |
| 24   | 0400512     | 3/4 FLAT WASHER (SPECIAL)             | 2   |
| 25   | 0400527     | CLEVIS PIN, 5/16" X 5/8" COTTERLESS   | 9   |
| 26   | 0402094     | HEX NUT & STAR WASHER, #8-32 ZP       | 6   |
| 27   | 0500914     | DECAL- CONTROL PANEL WRECKER          | 1   |
| 28   | 0500915     | DECAL - CTROL PANEL SPADE             | 1   |
| 29   | 0500916     | DECAL - CONTROL PANEL UNDERLIFT       | 1   |
| 30   | 0711235     | CLAMP - SHAFT                         | 2   |
| 31   | 0717198     | PIN - CONTROL HANDLE (9)              | 1   |
| 32   | 0717461     | PLATE - SHAFT SUPPORT                 | 2   |
| 33   | 0723230     | PANEL - CONTROL (9)                   | 1   |
| 34   | 0723233     | PANEL - GAUGE (9 HDL, STD)            | 1   |
| 35   | 0806006     | CLEVIS WELDMENT                       | 9   |
| 36   | 0806007     | CONTROL FRAME WLMT (9) HANDLE         | 1   |
| 37   | 0806515     | CONTROL HANDLE WLMT                   | 9   |
| 38   | 9024041     | MCGILL SWITCH                         | 3   |
| 39   | 9053524     | BRONZE BUSHING (.752 X .879 X .750)   | 18  |

# Section I - PARTS (cont'd)

## RIGHT CONTROL ASSEMBLY



## Section I - PARTS (cont'd)

### RIGHT CONTROL ASSEMBLY

| ITEM | PART NUMBER | DESCRIPTION                           | QTY |
|------|-------------|---------------------------------------|-----|
| 1    | 0300835     | KNOB, BOOM (UP-DN)                    | 1   |
| 2    | 0300836     | KNOB, JACK (UP-DN)                    | 2   |
| 3    | 0300837     | KNOB, BOOM (IN-OUT)                   | 1   |
| 4    | 0302457     | CONTROL CABLE                         | 2   |
| 5    | 0302726     | GREASE FITTING, 1/4"-28 X 45°         | 6   |
| 6    | 0303427     | CONTROL CABLE                         | 4   |
| 7    | 0307166     | PLUG 7/8                              | 2   |
| 8    | 0307604     | KNOB - RED LONG                       | 2   |
| 9    | 0307778     | PLUG, FILLER                          | 2   |
| 10   | 0400061     | SCREW, 1/4"-20 X 2 1/4" RD HD PHIL SS | 3   |
| 11   | 0400101     | SCREW, 5/16"-18 X 1" RD HD SLOTTED SS | 4   |
| 12   | 0400107     | 5/16-2.5 X 2-1/2 HHCS                 | 4   |
| 13   | 0400109     | 5/16-18 X 1 HHCS GR.5, ZP             | 2   |
| 14   | 0400369     | 1/4 "J" TYPE TINNERMAN                | 3   |
| 15   | 0400379     | CLIP, 5/16" "J" TYPE TINNERMAN        | 4   |
| 16   | 0400382     | 5/16-18 NYLOCK HEX NUT ZP             | 6   |
| 17   | 0400393     | 3/8"-16 HEX JAM NUT                   | 12  |
| 18   | 0400466     | LOCKWASHER, 5/16" INTERNAL TOOTH      | 6   |
| 19   | 0400512     | 3/4 FLAT WASHER (SPECIAL)             | 2   |
| 20   | 0400527     | CLEVIS PIN, 5/16" X 5/8" COTTERLESS   | 6   |
| 21   | 0500914     | DECAL- CONTROL PANEL WRECKER          | 1   |
| 22   | 0500915     | DECAL - CTROL PANEL SPADE             | 1   |
| 23   | 0711235     | CLAMP - SHAFT                         | 2   |
| 24   | 0717203     | PIN - CONTROL HANDLE (6)              | 1   |
| 25   | 0717206     | SPACER                                | 1   |
| 26   | 0717461     | PLATE - SHAFT SUPPORT                 | 1   |
| 27   | 0723231     | PANEL - CONTROL (6 HANDLE)            | 1   |
| 28   | 0723232     | PANEL - SWITCH                        | 1   |
| 29   | 0806006     | CLEVIS WELDMENT                       | 6   |
| 30   | 0806008     | CONTROL FRAME WLMT (6, 7, 8 HANDLE)   | 1   |
| 31   | 0806515     | CONTROL HANDLE WLMT                   | 6   |
| 32   | 9024041     | MCGILL SWITCH                         | 2   |
| 33   | 9053524     | BRONZE BUSHING (.752 X .879 X .750)   | 12  |

## Section I - PARTS (cont'd)

### 7035 2-SPEED PARTS LIST

| ITEM | PART NUMBER | DESCRIPTION                     | QTY |
|------|-------------|---------------------------------|-----|
| --   | 125736021   | CENTURY 7035 - 2-SPEED          |     |
| 1    | 0907112     | SHIP KIT - 7035                 | 1   |
| 2    | 0907777     | BASIC UNIT ASSY-7035 2-SPEED    | 1   |
| 3    | 0911135     | INTEGRATED NON-LIGHTED CONTROL  | 1   |
| --   | 0907112     | SHIP KIT - 7035                 |     |
| 4    | 0300844     | 3/4 X 1/8 CLOSED CELL           | 15  |
| 5    | 0303226     | 80 AMP CIRCUIT BREAKER          | 2   |
| 6    | 0303867     | PUMP, BI-ROTATIONAL             | 1   |
| 7    | 0306818     | WIRE, ROPE 3/4X6X37 IWRC 200'   | 2   |
| 8    | 0310599     | CRC HD CORROSION INHIBIT SPRAY  | 1   |
| 9    | 0903064     | KIT-BODY MOUNTING 9055          | 1   |
| 10   | 0903137     | KIT-TOWER RAMP 9055/5030        | 1   |
| 11   | 0903729     | CHAIN-SAFETY ASSY               | 1   |
| 12   | 0904217     | HARDWARE-BODY MOUNTING          | 1   |
| 13   | 0904366     | KIT-FORK (7) PAIRS              | 1   |
| 14   | 0907708     | CNTRL KIT RT (KNOB, DECAL, PL)  | 1   |
| 15   | 0908275     | KIT, FENDER SKIRT-AL TBOX LWRK  | 1   |
| 16   | 0911145     | PURCHASED SHIP KIT-7035         | 1   |
| --   | 0903064     | KIT-BODY MOUNTING 9055          |     |
| 17   | 0707174     | ANG TAILGATE MTG                | 2   |
| 18   | 0707175     | PLATE, MOUNTING 5030            | 2   |
| 19   | 0711286     | SPACER - REAR FRAME BRKT        | 2   |
| 20   | 0717507     | PLATE - MOUNTING                | 2   |
| --   | 0903137     | KIT-TOWER RAMP 9055/5030        |     |
| 21   | 0303089     | RAMP PAD - 9055/5030            | 2   |
| 22   | 0400128     | 3/8-16X1.25 FLAT HD SOC         | 10  |
| 23   | 0400392     | 3/8-16 NYLOK HEX NUT ZINC       | 10  |
| --   | 0903729     | CHAIN-SAFETY ASSY               |     |
| 24   | 0307626     | SAFETY CHAIN ASY, 1/2X14' GR100 | 2   |
| --   | 0904217     | HARDWARE-BODY MOUNTING          |     |
| 25   | 0400286     | 3/4-10X2.75" HHCSGR 8GOLD       | 44  |
| 26   | 0400301     | 7/8-9X3HHCS GR5 ZP              | 4   |
| 27   | 0400431     | 3/4-10 NYLOK HEX GR 8 ZP        | 44  |
| 28   | 0400436     | 7/8-9 NYLOK HEX NUT ZP          | 4   |
| --   | 0904366     | KIT-FORK (7) PAIRS              |     |
| 29   | 0200018     | FORK-SHORT, 3IN OPNG            | 2   |
| 30   | 0200019     | FORK-SHORT, 4-1/2IN OPNG        | 2   |
| 31   | 0200020     | FORK-MED, 3IN OPNG              | 2   |
| 32   | 0200021     | FORK-MED, 4-1/2IN OPNG          | 2   |
| 33   | 0200022     | FORK-LONG, 3IN OPNG             | 2   |
| 34   | 0200023     | FORK-LONG, 4-1/2IN OPNG         | 2   |
| 35   | 0200024     | FORK-OFFSET REAR AXLE           | 2   |
| 36   | 0200042     | FORK-MEDIUM ROUND AXLE          | 2   |
| 37   | 0306564     | ALUM T HANDLE 5/8" X 1-1/4"     | 2   |

## Section I - PARTS (cont'd)

### 7035 2-SPEED PARTS LIST (cont'd)

| ITEM | PART NUMBER | DESCRIPTION                       | QTY |
|------|-------------|-----------------------------------|-----|
| --   | 0904366     | KIT-FORK (7) PAIRS (cont'd)       |     |
| 38   | 0310230     | CLEVIS PIN, 5/8 X 6 ZINC PLT      | 2   |
| 39   | 0400886     | HITCH PIN CLIP, 1/8 DIA X 2.6 OAL | 2   |
| 40   | 0801186     | ADAPTER-HDU CHAIN (LH OR RH)      | 1   |
| 41   | 0801186     | ADAPTER-HDU CHAIN (LH OR RH)      | 1   |
| 42   | 0803591     | ADAPTER-LEFT FORK                 | 1   |
| 43   | 0803592     | ADAPTER-RIGHT FORK                | 1   |
| 44   | 0807023     | BRKT-PIVOT SPRING LIFT            | 2   |
| 45   | 0900900     | PIN-ASSY, RETAINER                | 2   |
| 46   | 0908672     | PIN-RET.-SPRING LIFT              | 2   |
| --   | 0900900     | PIN-ASSY, RETAINER                |     |
| 47   | 0302474     | PIN, LINCH 3/16                   | 1   |
| 48   | 0311167     | 3/16 SWAGE FOR 1/8 COATED CABL    | 1   |
| 49   | 0311210     | CABLE, PIN RETAINER ASSY .125     | 1   |
| 50   | 0400568     | 3/8 X 3" ROLL PIN ZP              | 1   |
| 51   | 0400573     | 3/16 X 1-1/4 ROLL PIN ZP          | 1   |
| 52   | 0402020     | 1/4-20 NC X 3/4 HEX HD SS         | 1   |
| 53   | 0703426     | PIN, RETAINER                     | 1   |
| --   | 0908672     | PIN-RET.-SPRING LIFT              |     |
| 54   | 0302474     | PIN, LINCH 3/16                   | 1   |
| 55   | 0311167     | 3/16 SWAGE FOR 1/8 COATED CABL    | 1   |
| 56   | 0311210     | CABLE, PIN RETAINER ASSY .125     | 1   |
| 57   | 0400568     | 3/8 X 3" ROLL PIN ZP              | 1   |
| 58   | 0400573     | 3/16 X 1-1/4 ROLL PIN ZP          | 1   |
| 59   | 0402020     | 1/4-20 NC X 3/4 HEX HD SS         | 1   |
| 60   | 0718917     | PIN, RETAINER                     | 1   |
| --   | 0907708     | CNTRL KIT RT (KNOB, DECAL, PL)    |     |
| 61   | 0300835     | KNOB-BOOM (UP-DOWN)               | 1   |
| 62   | 0300836     | KNOB-CTRL-JACK (UP-DOWN)          | 2   |
| 63   | 0300837     | KNOB-BOOM (IN-OUT)                | 1   |
| 64   | 0307166     | PLUG 7/8                          | 2   |
| 65   | 0307604     | KNOB, RED LONG - SK0700-07        | 2   |
| 66   | 0310021     | PIGTAIL, PWR - SWITCH             | 1   |
| 67   | 0310022     | PIGTAIL, GND - SWITCH             | 1   |
| 68   | 0400061     | 1/4-20 X 3/4 MACH SCREW           | 3   |
| 69   | 0400062     | 1/4-20 X 3/4 THRD CUT HEX         | 12  |
| 70   | 0400070     | 1/4-20 X 1 HHCS GR5 ZP            | 4   |
| 71   | 0400101     | 5/16-18 X 1 RD MACH HD SS         | 4   |
| 72   | 0400107     | 5/16-18 X 2.5 HHCS GR5 ZP         | 4   |
| 73   | 0400367     | 1/4-20 NYLOK HEX NUT ZP           | 4   |
| 74   | 0400369     | 1/4 "J" TYPE TINNERMAN            | 3   |
| 75   | 0400379     | 5/16-18 "J" NUT TINNERMAN         | 4   |
| 76   | 0400393     | 3/8-16 HEX NUT JAM ZP             | 4   |
| 77   | 0400451     | 1/4 FLATWASHER ZP                 | 6   |
| 78   | 0500914     | DECAL-CTRL PANEL WRECKER          | 1   |
| 79   | 0500915     | DECAL-CTRL PANEL SPADE            | 1   |
| 80   | 0501157     | TAG-CAUTION WINCH CABLE DAMAGE    | 2   |

## Section I - PARTS (cont'd)

### 7035 2-SPEED PARTS LIST (cont'd)

| ITEM | PART NUMBER | DESCRIPTION                             | QTY |
|------|-------------|---|-----|
| --   | 0907708     | CNTRL KIT RT (KNOB, DECAL, PL) (cont'd) |     |
| 81   | 0723231     | PANEL-CONTROL 6 HANDLE                  | 1   |
| 82   | 0723232     | PANEL-SWITCH                            | 1   |
| 83   | 0724648     | BRACE                                   | 1   |
| 84   | 9024041     | SWITCH-ROCKER, LIGHTED 12V              | 2   |
| --   | 0908275     | KIT, FENDER SKIRT-AL TBOX LWRK          |     |
| 85   | 0307270     | SIKAFLEX-GRAY 221-G SEALANT             | 1   |
| 86   | 9025068     | REFLECTOR-PETERSON B489R DECAL          | 4   |
| --   | 0911145     | PURCHASED SHIP KIT-7035                 |     |
| 87   | 0300132     | 14" UV BLK CABLE TIE                    | 100 |
| 88   | 0500554     | FLAG, AMERICAN LT                       | 2   |
| 89   | 0500686     | DECAL - RETRACT CAUTION                 | 2   |
| 90   | 0501167     | PLATE, CENTURY, NAME, PLASTIC           | 2   |
| 91   | 0501669     | DECAL, AIR FREE SPOOL                   | 2   |
| 92   | 0711438     | BRACKET - HOSE                          | 8   |
| 93   | 0902333     | KIT-GLAD HAND                           | 1   |
| 94   | 0904183     | KIT-AIR TENSIONER                       | 1   |
| 95   | 0906485     | DATA PACKAGE - 7035/T35                 | 1   |
| 96   | 0906838     | GROUND KIT MTG.HARNESS CENTURY          | 1   |
| 97   | 0907043     | KIT, HOLE PLUG TOOL BOX                 | 1   |
| 98   | 0907883     | KIT- PUMP 5130-7035                     | 1   |
| 99   | 0908382     | KIT - MUDFLAP LRG CENTURY WKR           | 1   |
| 100  | 0908446     | KIT, SWITCH/DECALS 2-SPD WINCH          | 1   |
| 101  | 0911090     | KIT-SAFETY TREAD-INTEGRATED             | 1   |
| --   | 0902333     | KIT-GLAD HAND                           |     |
| 102  | 0301909     | RECEPTACLE BOOT                         | 1   |
| 103  | 0301946     | FITTING, BLKHD CONNECT                  | 2   |
| 104  | 0301948     | HD 7 WAY TRAILER CONNECT                | 1   |
| 105  | 0304363     | QUICK DISCONNECT 1/2 FPT                | 2   |
| 106  | 0400070     | 1/4-20X1 HHCS GR5 ZP                    | 2   |
| 107  | 0400367     | 1/4-20 NYLOK HEX NUT ZP                 | 2   |
| 108  | 0400451     | 1/4 FLATWASHER ZP                       | 2   |
| --   | 0904183     | KIT-AIR TENSIONER                       |     |
| 109  | 0301577     | 1/4 OD PLASTIC AIRLINE, BLACK           | 25  |
| 110  | 0302495     | CONVOLUTED LOOM 1/4                     | 25  |
| 111  | 0311193     | 6" CABLE TIE                            | 25  |
| 112  | 0400062     | 1/4-20X3/4 THRD CUT HEX                 | 2   |
| 113  | 0700188     | BRKT, BULKHEAD                          | 2   |
| 114  | 0909085     | KIT, AIR FLR/REG/LUBE COMBO 1/4         | 1   |
| 115  | HA0132      | GAUGE 0-160 PSI                         | 1   |
| --   | 0909085     | KIT, AIR FLR/REG/LUBE COMBO 1/4         |     |
| 116  | 0302123     | HEX NIPPLE 4MP-4MP                      | 1   |
| 117  | 0303363     | AIR FLTR/REGULATOR COMBO                | 1   |
| 118  | 0306983     | FITT, BRASS RUNTEE 1/4T-1/4MPX          | 1   |
| 119  | 9010520     | FITT, BRASS ELB 1/4T-1/4MP              | 1   |

## Section I - PARTS (cont'd)

### 7035 2-SPEED PARTS LIST (cont'd)

| ITEM | PART NUMBER | DESCRIPTION                     | QTY |
|------|-------------|---------------------------------|-----|
| --   | 0906485     | DATA PACKAGE - 7035/T35         |     |
| 120  | 0500241     | DECAL-SAFETY CHAIN WARN         | 3   |
| 121  | 0501060     | MANUAL - OWNERS 7035/T35        | 1   |
| 122  | 0501763     | CENTURY LARGE INT INSTL MANUAL  | 1   |
| 123  | 0501767     | 7035 PARTS MANUAL               | 1   |
| --   | 0906838     | GROUND KIT MTG.HARNES CENTURY   |     |
| 124  | 0400126     | 3/8-16X1 HHCS GR5 ZP.           | 1   |
| 125  | 0400392     | 3/8-16 NYLOK HEX NUT ZINC       | 1   |
| 126  | 0400481     | 3/8" EXT.Tooth LOCKWASHER       | 1   |
| 127  | 0400499     | 3/4" EXT.Tooth LOCKWASHER       | 1   |
| 128  | 0402122     | 3/8-16NC HEX NUT 316 SS         | 1   |
| 129  | 0716468     | LUG - GROUNDING                 | 1   |
| --   | 0907043     | KIT, HOLE PLUG TOOL BOX         |     |
| 130  | 0307052     | WASHER, RUBBER 7/16X1 1/4X1/4   | 8   |
| 131  | 0400201     | 1/2-13X1.5 CRGBLT GR5 ZP        | 4   |
| 132  | 0400407     | 1/2-13 HEX NUT ZP               | 4   |
| 133  | 0400491     | 1/2" HCL LKWSHR ZP              | 4   |
| 134  | 0400492     | 1/2" FLATWASHER ZP              | 4   |
| 135  | 0400506     | 5/8 FLATWASHER ZP               | 4   |
| --   | 0907883     | KIT- PUMP 5130-7035             |     |
| 136  | 0300348     | NIPPLE, 1-1/2 X 5               | 2   |
| 137  | 0300364     | CLAMP-HOSE, 0.875"-2.75" 50"LBS | 8   |
| 138  | 0300660     | HOSE HYD, 120"                  | 2   |
| 139  | 0300865     | FITTING, CONNECTOR 8MJ-8MJ      | 2   |
| 140  | 0301529     | HOSE HYD, 58                    | 2   |
| 141  | 0301547     | FITTING, ELB 8MJ-12MB 90        | 2   |
| 142  | 0302088     | BALL VALVE                      | 2   |
| 143  | 0302698     | FITTING, HOSE BARB, 1-1/4       | 2   |
| 144  | 0302906     | FITTING, ADAPTER                | 2   |
| 145  | 0303290     | INSULATED CLAMP 2 1/2           | 12  |
| 146  | 0303463     | BUSHING 1 1/2MP-1 1/4FP         | 2   |
| 147  | 0306539     | HOSE BARB 20HOSE16MB90          | 2   |
| 148  | 0310010     | SUCTION HOSE, 1-1/4ID X50 100R4 | 1   |
| 149  | 0400181     | 1/2-13X1.5 HHCS GR5 ZP          | 2   |
| 150  | 0400491     | 1/2" HCL LKWSHR ZP              | 2   |
| --   | 0908382     | KIT - MUDFLAP LRG CENTURY WKR   |     |
| 151  | 0310631     | MUD FLAP, CENTURY               | 2   |
| 152  | 0400103     | 5/16-18X1.25 HHCS GR5 ZP        | 8   |
| 153  | 0400148     | 3/8-16X1.25 HHCS GR5 ZP         | 4   |
| 154  | 0400382     | 5/16-18 NYLOK HEX NUT ZP        | 8   |
| 155  | 0400392     | 3/8-16 NYLOK HEX NUT ZINC       | 4   |
| 156  | 0717386     | BAR - MUDFLAP                   | 2   |
| 157  | 0718139     | ANGLE - MUD FLAP MOUNT          | 2   |
| --   | 0908446     | KIT, SWITCH/DECALS 2-SPD WINCH  |     |
| 158  | 0501647     | DECAL, 2-SPEED                  | 2   |

## Section I - PARTS (cont'd)

### 7035 2-SPEED PARTS LIST (cont'd)

| ITEM | PART NUMBER | DESCRIPTION                             | QTY |
|------|-------------|---|-----|
| --   | 0908446     | KIT, SWITCH/DECALS 2-SPD WINCH (cont'd) |     |
| 159  | 9024041     | SWITCH-ROCKER, LIGHTED 12V              | 4   |
| --   | 0907777     | BASIC UNIT ASSY-7035 2-SPEED            |     |
| 160  | 0903156     | CROSSBAR-5" ASSY                        | 1   |
| 161  | 0906479     | UNDERLIFT & TOWER ASSY (7035)           | 1   |
| 162  | 0910472     | BUA-7035 2-SP LESS U/L & TOWER          | 1   |
| --   | 0903156     | CROSSBAR-5" ASSY                        |     |
| 163  | 0301197     | COMP.SPRING, CROSS BAR, FI              | 1   |
| 164  | 0301398     | STEEL BALL, 1-3/16 DIA                  | 1   |
| 165  | 0301822     | O-RING - PIVOT PIN                      | 1   |
| 166  | 0303097     | THRUST WASHER - 1/8 THK                 | 1   |
| 167  | 0303098     | THRUST WASHER - 1/16 THK                | 1   |
| 168  | 0400271     | 5/8-11X4.5SKTHDCAPSCREW                 | 2   |
| 169  | 0400508     | 5/8" HELICAL LCKWSHR ZP                 | 2   |
| 170  | 0708470     | SPACER - DETENT BALL SPRG               | 1   |
| 171  | 0710051     | PIN - TOP HALF PIVOT                    | 1   |
| 172  | 0710052     | PIN - BOTTOM HALF PIVOT                 | 1   |
| 173  | 0802914     | CROSSBAR WELDMENT                       | 1   |
| --   | 0906479     | UNDERLIFT & TOWER ASSY (7035)           |     |
| 174  | 0300113     | GREASE FITTING, 1/4-28 STRAIGHT         | 8   |
| 175  | 0301601     | CLAMP, HOSE, INSUL, 5/8                 | 4   |
| 176  | 0301620     | FITTING, HYD. 6MJ - 6MB90               | 2   |
| 177  | 0301662     | HOSE HYD, 120" 6M1T 6FJX-6FJX           | 2   |
| 178  | 0302911     | HOSE HYD, 88"                           | 1   |
| 179  | 0306746     | CYL HYD - FOLD                          | 1   |
| 180  | 0306870     | HOSE HYDR - 96"                         | 1   |
| 181  | 0400132     | 3/8-16X1.5 HHCS GR5 ZP                  | 1   |
| 182  | 0400151     | 3/8-24X3/4 HHCS GR5 ZP                  | 5   |
| 183  | 0400176     | 1/2-13X1 HHCS GR5 ZP                    | 1   |
| 184  | 0400392     | 3/8-16 NYLOK HEX NUT ZINC               | 3   |
| 185  | 0400480     | 3/8 FLATWASHER ZP                       | 1   |
| 186  | 0400481     | 3/8" EXT.TOOTH LOCKWASHER               | 9   |
| 187  | 0400482     | 3/8" HELICAL LCKWSHR - ZP               | 1   |
| 188  | 0400491     | 1/2" HCL LKWSHR ZP                      | 1   |
| 189  | 0706432     | BLOCK - STOP                            | 2   |
| 190  | 0717657     | PLATE, STOP BLOCK SUPRT                 | 2   |
| 191  | 0717851     | BLOCK, STOP                             | 2   |
| 192  | 0802365     | PIN-TOWER PIVOT WLMT                    | 2   |
| 193  | 0802459     | PIN-FOLD CYL. WLDMT                     | 1   |
| 194  | 0802461     | PIN-UNDERLIFT PIVOT WLMT                | 1   |
| 195  | 0804421     | TOWER WLMT - 7035                       | 1   |
| 196  | 0804483     | CABLE TIE BACK WLMT                     | 2   |
| 197  | 0806756     | PIN WELD'T - FOLD CYLINDER              | 1   |
| 198  | 0906480     | U/L BOOM ASSY (7035)                    | 1   |
| 199  | 0906572     | KIT-WINCH CABLE STOW                    | 2   |
| 200  | RB0205      | SPLIT BUSHING                           | 2   |



## Section I - PARTS (cont'd)

### 7035 2-SPEED PARTS LIST (cont'd)

| ITEM | PART NUMBER | DESCRIPTION                      | QTY |
|------|-------------|----------------------------------|-----|
| --   | 0906480     | U/L BOOM ASSY (7035)             |     |
| 201  | 0301470     | FITTING, 90ELB 6MJ-8MB90         | 2   |
| 202  | 0302538     | BUSHING - U/L                    | 2   |
| 203  | 0302561     | SLIDE PAD                        | 8   |
| 204  | 0303490     | PAD-WEAR 1/2" X 1" X 4"          | 2   |
| 205  | 0306744     | CYL U/L EXTEND                   | 1   |
| 206  | 0306825     | SLIDE PAD - 3/4 X 1 X 4          | 2   |
| 207  | 0307420     | SLEEVE, NYLON PROTECTIVE-24HG    | 2   |
| 208  | 0400122     | 3/8-16X1.25 HHCS GR5 ZP          | 1   |
| 209  | 0400139     | 3/8-16X1.5 HEX SKT SET           | 2   |
| 210  | 0400147     | 3/8-24X5/8 HHCS GR5 ZP           | 4   |
| 211  | 0400151     | 3/8-24X3/4 HHCS GR5 ZP           | 5   |
| 212  | 0400228     | 3/8-24X5/8 BUTTON HEAD           | 8   |
| 213  | 0400392     | 3/8-16 NYLOK HEX NUT ZINC        | 2   |
| 214  | 0400481     | 3/8" EXT.TOOTH LOCKWASHER        | 9   |
| 215  | 0400990     | SET SCRW, 1/2-13X1/2 SKT, CUP PT | 8   |
| 216  | 0706995     | BLOCK-STOP 2ND STAGE             | 4   |
| 217  | 0706996     | PAD, SPACER                      | 1   |
| 218  | 0707019     | SHAFT, EXTEND CYL                | 1   |
| 219  | 0707028     | PAD, BOLT-ON BEARING             | 1   |
| 220  | 0716033     | PIN - EXT CYL (7035 U/L)         | 1   |
| 221  | 0804422     | OUTER BOOM WLMT - 7035 U/L       | 1   |
| 222  | 0804423     | 2ND STAGE BOOM WLMT - 7035       | 1   |
| 223  | 0906481     | 3RD STAGE BOOM ASSY - 7035       | 1   |
| --   | 0906481     | 3RD STAGE BOOM ASSY - 7035       |     |
| 224  | 0303088     | BUSHING - PIVOT PIN              | 1   |
| 225  | 0400044     | 10X1/2 DRIVE SCREW RD            | 8   |
| 226  | 0703277     | PAD, SLIDER                      | 2   |
| 227  | 0804424     | 3RD STAGE BOOM WLMT - 7035       | 1   |
| 228  | 0906572     | KIT-WINCH CABLE STOW             |     |
| 229  | 0400257     | 5/8-11X3.25 HHCS GR5 ZP          | 1   |
| 230  | 0400421     | 5/8-11 NYLOK HEX NUT ZP          | 1   |
| 231  | 0804483     | CABLE TIE BACK WLMT              | 1   |
| 232  | 9048800     | 5/8 WELDLESS CHAIN LINK          | 1   |
| 233  | 945030007   | CABLE TIE BACK SPRING-1          | 1   |
| --   | 0910472     | BUA-7035 2-SP LESS U/L & TOWER   |     |
| 234  | 0400002     | 4X1/4 DRIVE SCREW RD HD          | 4   |
| 235  | 0501219     | PLATE - SERIAL & DATA GENERIC    | 1   |
| 236  | 0707792     | PIN-TILT CYL-BASE END            | 1   |
| 237  | 0707793     | PIN-TILT CYL-ROD END             | 1   |
| 238  | 0906487     | BOOM INSTALLATION - 7035         | 1   |
| 239  | 0906531     | KIT - BOOM SWIVEL                | 1   |
| 240  | 0907315     | SUBFRAME ASSY - 7035             | 1   |
| 241  | 0907778     | WINCH ASSEMBLY - 7035 2-SPEED    | 1   |
| --   | 0906487     | BOOM INSTALLATION - 7035         |     |
| 242  | 0301207     | HOSE HYD, 72"                    | 2   |
| 243  | 0301895     | GREASE FITTING, STR 1/8 PTF      | 2   |

## Section I - PARTS (cont'd)

### 7035 2-SPEED PARTS LIST (cont'd)

| ITEM | PART NUMBER | DESCRIPTION                       | QTY |
|------|-------------|-----------------------------------|-----|
| --   | 0906487     | BOOM INSTALLATION - 7035 (cont'd) |     |
| 244  | 0302504     | HYD TUBING                        | 6   |
| 245  | 0302514     | ADAPTER 8MJ-6MJ                   | 6   |
| 246  | 0302546     | CLAMPING UNIT C-PH-10-2           | 6   |
| 247  | 0302548     | CLAMPING UNIT(SET) HC-10-6        | 4   |
| 248  | 0302549     | SPLIT BUSH.RUBBER C-SB10-8 1/2    | 24  |
| 249  | 0302550     | C-SB-10-12 3/4 SPLIT              | 10  |
| 250  | 0302551     | C-SN-10 SOCKET-HEAD               | 11  |
| 251  | 0302955     | HOSE HYD, 48-1/4"                 | 2   |
| 252  | 0303763     | HOSE HYD, 94"                     | 2   |
| 253  | 0400118     | 5/16-18X3/4 HHCS GR5 ZP           | 22  |
| 254  | 0400132     | 3/8-16X1.5 HHCS GR5 ZP            | 2   |
| 255  | 0400181     | 1/2-13X1.5 HHCS GR5 ZP            | 2   |
| 256  | 0400220     | 1/2-13X5.5" HHCS GR5 ZP           | 1   |
| 257  | 0400392     | 3/8-16 NYLOK HEX NUT ZINC         | 4   |
| 258  | 0400408     | 1/2-13 NYLOK HEX NUT ZP           | 3   |
| 259  | 0400492     | 1/2" FLATWASHER ZP                | 2   |
| 260  | 0705104     | PLATE-WINCH CABLE SPPT.           | 1   |
| 261  | 0713217     | BAR                               | 6   |
| 262  | 0715953     | PIN - BOOM PIVOT                  | 1   |
| 263  | 0802463     | PIN-LIFT CYL. PIVOT WLMT          | 2   |
| 264  | 0906488     | KIT - TILT CYLINDER (7035)        | 1   |
| 265  | 0906489     | BOOM ASSEMBLY - 7035              | 1   |
| --   | 0906488     | KIT - TILT CYLINDER (7035)        |     |
| 266  | 0300113     | GREASE FITTING, 1/4-28 STRAIGHT   | 8   |
| 267  | 0301470     | FITTING, 90ELB 6MJ-8MB90          | 2   |
| 268  | 0301522     | FITTING, CONN. 6MJ-6MB            | 1   |
| 269  | 0301619     | FITT, 6MJ-6MJ-6MB BRANCH TEE      | 1   |
| 270  | 0301620     | FITTING, HYD. 6MJ - 6MB90         | 1   |
| 271  | 0302035     | HOSE HYD, 18" 6FJX-6FJX -6M1T     | 1   |
| 272  | 0302805     | HOSE HYD, 10"                     | 1   |
| 273  | 0302842     | FITTING, TEE                      | 2   |
| 274  | 0302914     | HOSE HYD, 35"                     | 1   |
| 275  | 0302915     | HOSE HYD, 12"                     | 2   |
| 276  | 0303563     | HOSE HYD, 27"                     | 1   |
| 277  | 0307040     | CYL - U/L TILT                    | 2   |
| 278  | 0307106     | FITT, CONNECTOR 4MB-6FB           | 1   |
| 279  | 0307107     | VALVE, HOLDING 4000 PSI SAE       | 1   |
| 280  | 0400064     | 1/4-20X2.25 SLOTTED RD            | 2   |
| 281  | 0400078     | 1/4-20X2 HHCS GR5 ZP              | 2   |
| 282  | 0400133     | 3/8-16X3 HHCS GR5 ZP              | 4   |
| 283  | 0400367     | 1/4-20 NYLOK HEX NUT ZP           | 2   |
| 284  | 0400392     | 3/8-16 NYLOK HEX NUT ZINC         | 4   |
| 285  | 0402110     | 1/4 SS FLAT WASHER                | 2   |
| 286  | 0703001     | BRKT, MTG, CHECK VALVE            | 1   |
| 287  | 0707792     | PIN-TILT CYL-BASE END             | 1   |
| 288  | 0707793     | PIN-TILT CYL-ROD END              | 1   |

## Section I - PARTS (cont'd)

### 7035 2-SPEED PARTS LIST (cont'd)

| ITEM | PART NUMBER | DESCRIPTION                      | QTY |
|------|-------------|----------------------------------|-----|
| --   | 0906489     | BOOM ASSEMBLY - 7035             |     |
| 289  | 0300113     | GREASE FITTING, 1/4-28 STRAIGHT  | 4   |
| 290  | 0300132     | 14" UV BLK CABLE TIE             | 1   |
| 291  | 0301949     | 3/8" OD AIRLINE, SYNDFLEX HOSE   | 16  |
| 292  | 0302552     | C-WA-10 WELD ADAPTER             | 11  |
| 293  | 0303490     | PAD-WEAR 1/2" X 1" X 4"          | 2   |
| 294  | 0400059     | 1/4-20X5/8 HHCS GR5 ZP           | 2   |
| 295  | 0400121     | 3/8-16X3/4 HHCS GR5 ZP           | 7   |
| 296  | 0400176     | 1/2-13X1 HHCS GR5 ZP             | 2   |
| 297  | 0400248     | 5/8-11X1HHCS GR 8 ZP             | 4   |
| 298  | 0400452     | 1/4" HELICAL LCKWASHR ZP         | 2   |
| 299  | 0400482     | 3/8" HELICAL LCKWSHR - ZP        | 4   |
| 300  | 0400491     | 1/2" HCL LKWSHR ZP               | 2   |
| 301  | 0400990     | SET SCRW, 1/2-13X1/2 SKT, CUP PT | 4   |
| 302  | 0804402     | OUTER BOOM WLMT - 7035           | 1   |
| 303  | 0804403     | INNER BOOM WLMT - 7035           | 1   |
| 304  | 0906490     | KIT - EXT. CYLINDER (7035)       | 1   |
| 305  | 0908430     | KIT-D RING BOOM                  | 1   |
| 306  | 3012-793001 | PLATE - LUBE MTG .               | 1   |
| 307  | 9044434     | 3/8-16X1 NC FLAT SOCKET HD CAP   | 2   |
| 308  | 930100002   | LOWER WEAR PAD-RECOVERY          | 1   |
| 309  | 945030001   | PAD RETAINING PLATE-UPPE         | 1   |
| 310  | 945030004   | UPPER WEAR PAD-RECOVERY          | 1   |
| 311  | DE1381      | 1/2 WASHER SAE 17/32 ID          | 2   |
| 312  | RB0205      | SPLIT BUSHING                    | 2   |
| --   | 0906490     | KIT - EXT. CYLINDER (7035)       |     |
| 313  | 0301529     | HOSE HYD, 58                     | 2   |
| 314  | 0302276     | FITTING, ELB 90 DEG              | 2   |
| 315  | 0306743     | CYL - BOOM EXTEND                | 1   |
| 316  | 0400392     | 3/8-16 NYLOK HEX NUT ZINC        | 2   |
| 317  | 0400482     | 3/8" HELICAL LCKWSHR - ZP        | 2   |
| 318  | 0400771     | 3/8-16 X 1-1/2 HHCS GR 8         | 2   |
| 319  | 0715951     | PIN - EXT CYL BASE               | 1   |
| 320  | 0715952     | PIN - EXT CYL ROD                | 1   |
| 321  | 0810012     | SPIDER CLAMP                     | 1   |
| 322  | HD0151      | SNAP RING, 2"INTERNAL            | 4   |
| --   | 0908430     | KIT-D RING BOOM                  |     |
| 323  | 0400114     | 5/16-18X3 HHCS GR5 ZP            | 1   |
| 324  | 0400776     | 5/16-18 HEX NUT JAM NYLOK ZP     | 1   |
| 325  | 0719585     | D-RING, TOWING                   | 1   |
| 326  | GA0215      | PIN-"D" RING                     | 1   |
| --   | 0906531     | KIT - BOOM SWIVEL                |     |
| 327  | 0400554     | 3/8X1 ROLL PIN ZP                | 6   |
| 328  | 0906532     | SWIVEL - BOOM ASSEMBLY           | 2   |
| --   | 0906532     | SWIVEL - BOOM ASSEMBLY           |     |
| 329  | 0300113     | GREASE FITTING, 1/4-28 STRAIGHT  | 1   |

## Section I - PARTS (cont'd)

### 7035 2-SPEED PARTS LIST (cont'd)

| ITEM | PART NUMBER | DESCRIPTION                     | QTY |
|------|-------------|---------------------------------|-----|
| --   | 0906532     | SWIVEL - BOOM ASSEMBLY (cont'd) |     |
| 330  | 0303441     | SHEAVE-10" DIA X 1.5 BORE       | 1   |
| 331  | 0400133     | 3/8-16X3 HHCS GR5 ZP            | 1   |
| 332  | 0400150     | 3/8-16X2.5 HHCS GR5 ZP          | 2   |
| 333  | 0400392     | 3/8-16 NYLOK HEX NUT ZINC       | 3   |
| 334  | 0700801     | GUIDE, BOTTOM CABLE             | 2   |
| 335  | 0716134     | SHAFT - SHEAVE                  | 1   |
| 336  | 0803313     | GUIDE-CABLE WELDMENT            | 1   |
| 337  | 0804449     | BOOM END SWIVEL WLDT-INTEGRATD  | 1   |
| --   | 0907315     | SUBFRAME ASSY - 7035            |     |
| 338  | 0302538     | BUSHING - U/L                   | 2   |
| 339  | 0400070     | 1/4-20X1 HHCS GR5 ZP            | 2   |
| 340  | 0400288     | 3/4-10X2.5HHCS GR 8GOLD         | 12  |
| 341  | 0400367     | 1/4-20 NYLOK HEX NUT ZP         | 2   |
| 342  | 0400431     | 3/4-10 NYLOK HEX GR 8 ZP        | 12  |
| 343  | 0711164     | BLOCK - SHEAR                   | 4   |
| 344  | 0712522     | BAR                             | 4   |
| 345  | 0714581     | PLATE - BOLTING                 | 4   |
| 346  | 0716201     | PLATE - BULKHEAD                | 1   |
| 347  | 0804405     | BRACKET - BOOM PIVOT            | 2   |
| 348  | 0806001     | SUBFRAME WELD'T - 7035/9055     | 1   |
| 349  | 0902553     | KIT-D RING LARGE                | 1   |
| 350  | 0903528     | LINK-LT.&RT. SIDE CONT.         | 1   |
| 351  | 0906313     | SPADE ASSY - REAR HYDRAULIC     | 1   |
| 352  | 0906483     | KIT - LIFT CYLINDER 7035        | 1   |
| 353  | 0906498     | KIT-FRAME HYDRAULIC 7035        | 1   |
| 354  | 0907139     | PAN-VALVE ASSY                  | 1   |
| 355  | 0907140     | KIT-VALVE COVER 9055            | 1   |
| 356  | 0907288     | CONTROL ASSY (9) HANDLES        | 1   |
| 357  | 0907289     | RIGHT CONTROL ASSY-(6 HANDLE)   | 1   |
| 358  | 0907347     | KIT - REAR HANDRAIL             | 1   |
| 359  | 0907802     | KIT - RESERVOIR 5130-9055       | 1   |
| --   | 0902553     | KIT-D RING LARGE                |     |
| 360  | 0400114     | 5/16-18X3 HHCS GR5 ZP           | 2   |
| 361  | 0400776     | 5/16-18 HEX NUT JAM NYLOK ZP    | 2   |
| 362  | 0719585     | D-RING, TOWING                  | 2   |
| 363  | GA0215      | PIN-"D" RING                    | 2   |
| --   | 0903528     | LINK-LT.&RT. SIDE CONT.         |     |
| 364  | 0303008     | ADJUSTABLE CLEVIS               | 3   |
| 365  | 0400103     | 5/16-18X1.25 HHCS GR5 ZP        | 9   |
| 366  | 0400122     | 3/8-16X1.25 HHCS GR5 ZP         | 6   |
| 367  | 0400382     | 5/16-18 NYLOK HEX NUT ZP        | 9   |
| 368  | 0400383     | 5/16-24 HEX NUT ZP              | 12  |
| 369  | 0400392     | 3/8-16 NYLOK HEX NUT ZINC       | 6   |
| 370  | 0400466     | 5/16 INT.TOOTH LOCKWSHR         | 47  |
| 371  | 0711249     | PLATE - CONTROL BULKHEAD        | 2   |
| 372  | 0711250     | PLATE - CONTROL BULKHEAD        | 1   |

## Section I - PARTS (cont'd)

### 7035 2-SPEED PARTS LIST (cont'd)

| ITEM | PART NUMBER | DESCRIPTION                      | QTY |
|------|-------------|----------------------------------|-----|
| --   | 0903528     | LINK-LT.&RT. SIDE CONT. (cont'd) |     |
| 373  | 0801054     | CONNECTOR-CONTROL CABLE          | 6   |
| --   | 0906313     | SPADE ASSY - REAR HYDRAULIC      | 1   |
| 374  | 0300044     | FITT, HYD CONN. 6MJ-8MB          | 4   |
| 375  | 0300134     | CLAMP, 1" HOSE INSULATED         | 12  |
| 376  | 0301861     | QUICK PIN, LINCH -B7932 PL 7/16  | 2   |
| 377  | 0303748     | HOSE HYD, 136                    | 4   |
| 378  | 0307843     | CYL, HYD TI-S40030032PPBZ        | 2   |
| 379  | 0400066     | 1/4-20X3/4 HHCS GR5 ZP           | 8   |
| 380  | 0400139     | 3/8-16X1.5 HEX SKT SET           | 4   |
| 381  | 0400392     | 3/8-16 NYLOK HEX NUT ZINC        | 10  |
| 382  | 0400452     | 1/4" HELICAL LCKWASHR ZP         | 8   |
| 383  | 0713128     | SHAFT - LOWER SPADE              | 2   |
| 384  | 0713129     | SHAFT - UPPER SPADE              | 2   |
| 385  | 0715584     | PLATE - REAR SPADE COVER         | 2   |
| 386  | 0715694     | PIN - SPADE PIVOT                | 2   |
| 387  | 0804334     | PIN - MULTI-POSITION             | 2   |
| 388  | 0807627     | INNER SPADE WELD'T LH            | 1   |
| 389  | 0807628     | INNER SPADE WELD'T RH REINF      | 1   |
| 390  | 0807630     | LOWER SPADE PAD WLMT             | 2   |
| 391  | 9046354     | SPRING PIN 1/4 X 2-1/2           | 2   |
| --   | 0906483     | KIT - LIFT CYLINDER 7035         |     |
| 392  | 0300365     | CLAMP, CHECK VALVE RET.7         | 2   |
| 393  | 0300657     | HOSE HYD, 46" LG                 | 2   |
| 394  | 0300659     | HOSE HYD, 45"                    | 2   |
| 395  | 0301388     | FITTING, 90ELL, 8MJ-8MB90        | 4   |
| 396  | 0302275     | FITTING, CONN 8MJ-6MB W/STEP     | 2   |
| 397  | 0302276     | FITTING, ELB 90 DEG              | 4   |
| 398  | 0302568     | HYD TUBING                       | 2   |
| 400  | 0302796     | FITTING, TEE                     | 2   |
| 401  | 0306747     | CYL - BOOM LIFT                  | 2   |
| 402  | 0307106     | FITT, CONNECTOR 4MB-6FB          | 2   |
| 403  | 0307107     | VALVE, HOLDING 4000 PSI SAE      | 2   |
| 404  | 0307614     | TUBING-HYD ASSY 1/2" DIA 7035    | 2   |
| 405  | 0400078     | 1/4-20X2 HHCS GR5 ZP             | 4   |
| 406  | 0400219     | 1/2-13X4.5HHCS GR5 ZP            | 2   |
| 407  | 0400366     | 1/4-20 HEX NUT ZP                | 4   |
| 408  | 0400408     | 1/2-13 NYLOK HEX NUT ZP          | 2   |
| 409  | 0400451     | 1/4 FLATWASHER ZP                | 4   |
| 410  | 0400452     | 1/4" HELICAL LCKWASHR ZP         | 4   |
| 411  | 0703001     | BRKT, MTG, CHECK VALVE           | 2   |
| 412  | 0708094     | PIN - LIFT CYLINDER              | 2   |
| --   | 0906498     | KIT-FRAME HYDRAULIC 7035         |     |
| 413  | 0301473     | HOSE HYD, 18" LG                 | 2   |
| 414  | 0301837     | INLINE ORIFICE                   | 1   |
| 415  | 0301965     | HOSE HYD, 131"                   | 2   |
| 416  | 0302546     | CLAMPING UNIT C-PH-10-2          | 2   |

## Section I - PARTS (cont'd)

### 7035 2-SPEED PARTS LIST (cont'd)

| ITEM | PART NUMBER | DESCRIPTION                       | QTY |
|------|-------------|-----------------------------------|-----|
| --   | 0906498     | KIT-FRAME HYDRAULIC 7035 (cont'd) |     |
| 417  | 0302550     | C-SB-10-12 3/4 SPLIT              | 6   |
| 418  | 0302551     | C-SN-10 SOCKET-HEAD               | 2   |
| 419  | 0302552     | C-WA-10 WELD ADAPTER              | 3   |
| 420  | 0302574     | FITTING-BULKHEAD RUN TEE          | 2   |
| 421  | 0302576     | FITTING, BULKHEAD UNION           | 14  |
| 422  | 0302584     | HOSE HYD, 50"                     | 3   |
| 423  | 0302805     | HOSE HYD, 10"                     | 1   |
| 424  | 0302835     | C-WA-10 WELD ADAPTER              | 4   |
| 425  | 0302955     | HOSE HYD, 48-1/4"                 | 6   |
| 426  | 0303036     | 8 FJ CAP                          | 2   |
| 427  | 0303342     | HOSE HYD, 30" LG                  | 6   |
| 428  | 0303348     | HOSE HYD, 48" LG                  | 3   |
| 429  | 0303354     | HOSE HYD, 33" LG                  | 1   |
| 430  | 0303355     | HOSE HYD, 33" LG                  | 1   |
| 431  | 0303435     | HOSE HYD, 58"                     | 2   |
| 432  | 0303562     | HOSE HYD, 37"                     | 1   |
| 433  | 0303563     | HOSE HYD, 27"                     | 1   |
| 434  | 0307345     | FITTING, ADAPTER 16FJ-12MJ        | 2   |
| 435  | 0400078     | 1/4-20X2 HHCS GR5 ZP              | 2   |
| 436  | 0400118     | 5/16-18X3/4 HHCS GR5 ZP           | 3   |
| 437  | 0400367     | 1/4-20 NYLOK HEX NUT ZP           | 2   |
| --   | 0907139     | PAN-VALVE ASSY                    |     |
| 438  | 0300044     | FITT, HYD CONN. 6MJ-8MB           | 2   |
| 439  | 0301470     | FITTING, 90ELB 6MJ-8MB90          | 2   |
| 440  | 0301730     | VALVE, DOUBLE HOLDING             | 1   |
| 441  | 0400078     | 1/4-20X2 HHCS GR5 ZP              | 2   |
| 442  | 0400109     | 5/16-18X1 HHCS GR5 ZP             | 9   |
| 443  | 0400135     | 3/8-16X4.5 HHCS GR5 ZP            | 6   |
| 444  | 0400157     | 3/8-16X1.75 HHCS GR5 ZP           | 8   |
| 445  | 0400367     | 1/4-20 NYLOK HEX NUT ZP           | 2   |
| 446  | 0400382     | 5/16-18 NYLOK HEX NUT ZP          | 2   |
| 447  | 0400384     | 5/16-24 NYLOK HEX NUT ZP          | 2   |
| 448  | 0400392     | 3/8-16 NYLOK HEX NUT ZINC         | 12  |
| 449  | 0400451     | 1/4 FLATWASHER ZP                 | 2   |
| 450  | 0704045     | SPACER-CONTROL VALVE              | 6   |
| 451  | 0717827     | PLATE, VALVE MOUNTING             | 1   |
| 452  | 0719122     | PLATE - VALVE MTG                 | 1   |
| 453  | 0906494     | VALVE ASSY, PARKER 4 SPL W/FTGS   | 1   |
| 454  | 0906495     | VALVE ASSY, PARKER 5 SPL W/FTGS   | 1   |
| --   | 0906494     | VALVE ASSY, PARKER 4 SPL W/FTGS   |     |
| 455  | 0300044     | FITT, HYD CONN. 6MJ-8MB           | 3   |
| 456  | 0300052     | FITTING, ELB 8MJ-10MB 90          | 1   |
| 457  | 0301388     | FITTING, 90ELL, 8MJ-8MB90         | 1   |
| 458  | 0301522     | FITTING, CONN. 6MJ-6MB            | 3   |
| 459  | 0301545     | FITTING, ELB 12MJ-12MB 90         | 1   |
| 460  | 0301995     | FITTING, ADAPTER STR              | 1   |
| 461  | 0302052     | FITTING, RUN TEE                  | 1   |

## Section I - PARTS (cont'd)

### 7035 2-SPEED PARTS LIST (cont'd)

| ITEM | PART NUMBER | DESCRIPTION                              | QTY |
|------|-------------|--|-----|
| --   | 0906494     | VALVE ASSY, PARKER 4 SPL W/FTGS (cont'd) |     |
| 462  | 0302508     | FITTING, ELL 8MJ-8MB 90LL                | 1   |
| 463  | 0303017     | FITTING, CONNECTOR                       | 3   |
| 464  | 0303093     | VALVE, 4 SPOOL PARKER                    | 1   |
| --   | 0906495     | VALVE ASSY, PARKER 5 SPL W/FTGS          |     |
| 465  | 0300044     | FITT, HYD CONN. 6MJ-8MB                  | 6   |
| 466  | 0300052     | FITTING, ELB 8MJ-10MB 90                 | 1   |
| 467  | 0301388     | FITTING, 90ELL, 8MJ-8MB90                | 1   |
| 468  | 0301522     | FITTING, CONN. 6MJ-6MB                   | 2   |
| 469  | 0301545     | FITTING, ELB 12MJ-12MB 90                | 1   |
| 470  | 0301995     | FITTING, ADAPTER STR                     | 1   |
| 471  | 0302052     | FITTING, RUN TEE                         | 1   |
| 472  | 0302508     | FITTING, ELL 8MJ-8MB 90LL                | 1   |
| 473  | 0303017     | FITTING, CONNECTOR                       | 2   |
| 474  | 0303094     | VALVE, 5 SPOOL PARKER                    | 1   |
| --   | 0907140     | KIT-VALVE COVER 9055                     |     |
| 475  | 0400121     | 3/8-16X3/4 HHCS GR5 ZP                   | 4   |
| 476  | 0400482     | 3/8" HELICAL LCKWSHR - ZP                | 4   |
| 477  | 0717066     | COVER - VALVE                            | 1   |
| 478  | 0807181     | COVER, SUPPORT WELDMENT                  | 4   |
| --   | 0907288     | CONTROL ASSY (9) HANDLES                 |     |
| 479  | 0301473     | HOSE HYD, 18" LG                         | 2   |
| 480  | 0302205     | GAUGE, FLUSH MNTG-6000 PSI               | 2   |
| 481  | 0302457     | CABLE, CONTROL 104                       | 3   |
| 482  | 0302726     | GREASE FITTING, 1/4-28 X 45DEG           | 9   |
| 483  | 0303427     | CABLE, CONTROL 114"                      | 6   |
| 484  | 0400107     | 5/16-18X2.5 HHCS GR5 ZP                  | 4   |
| 485  | 0400109     | 5/16-18X1 HHCS GR5 ZP                    | 4   |
| 486  | 0400382     | 5/16-18 NYLOK HEX NUT ZP                 | 8   |
| 487  | 0400393     | 3/8-16 HEX NUT JAM ZP                    | 9   |
| 488  | 0400451     | 1/4 FLATWASHER ZP                        | 8   |
| 489  | 0400512     | 3/4 FLAT WASHER(SPECIAL)                 | 2   |
| 490  | 0400527     | CLEVIS PIN, 5/16X1"X5/8"GRIP             | 9   |
| 491  | 0711235     | CLAMP - SHAFT CONTROL BOX                | 2   |
| 492  | 0717198     | PIN - CONTROL HANDLE (9)                 | 1   |
| 493  | 0717461     | PLATE - SUPPORT SHAFT                    | 2   |
| 494  | 0806006     | CLEVIS WELD'T                            | 9   |
| 495  | 0806007     | CONTROL FRAME WELD'T-(9) HANDL           | 1   |
| 496  | 0907441     | CONTROL HANDLE ASSY - SHORT              | 9   |
| 497  | FC41        | FITTING-90DEG BLKHD ELB                  | 2   |
| --   | 0907441     | CONTROL HANDLE ASSY - SHORT              |     |
| 498  | 0806515     | CONTROL HANDLE WELD'T                    | 1   |
| 499  | 9053524     | BEARING BR. FLG.752 X .879X.75           | 2   |
| --   | 0907289     | RIGHT CONTROL ASSY-(6 HANDLE)            |     |
| 500  | 0302457     | CABLE, CONTROL 104                       | 2   |

## Section I - PARTS (cont'd)

### 7035 2-SPEED PARTS LIST (cont'd)

| ITEM | PART NUMBER | DESCRIPTION                            | QTY  |
|------|-------------|--|------|
| --   | 0907289     | RIGHT CONTROL ASSY-(6 HANDLE) (cont'd) |      |
| 501  | 0302457     | CABLE, CONTROL 104                     | 2    |
| 502  | 0302726     | GREASE FITTING, 1/4-28 X 45DEG         | 6    |
| 503  | 0303427     | CABLE, CONTROL 114"                    | 4    |
| 504  | 0400107     | 5/16-18X2.5 HHCS GR5 ZP                | 4    |
| 505  | 0400109     | 5/16-18X1 HHCS GR5 ZP                  | 2    |
| 506  | 0400382     | 5/16-18 NYLOK HEX NUT ZP               | 6    |
| 507  | 0400451     | 1/4 FLATWASHER ZP                      | 6    |
| 508  | 0400512     | 3/4 FLAT WASHER(SPECIAL)               | 2    |
| 509  | 0400527     | CLEVIS PIN, 5/16X1"X5/8"GRIP           | 6    |
| 510  | 0711235     | CLAMP - SHAFT CONTROL BOX              | 2    |
| 511  | 0717203     | PIN - CONTROL HANDLE (6)               | 1    |
| 512  | 0717206     | TUBE - 1.25 OD SPACER                  | 1    |
| 513  | 0717461     | PLATE - SUPPORT SHAFT                  | 1    |
| 514  | 0806006     | CLEVIS WELD'T                          | 6    |
| 515  | 0806008     | CNTRL FRAME WELD'T-(6, 7, 8 HND)       | 1    |
| 516  | 0907441     | CONTROL HANDLE ASSY - SHORT            | 6    |
| --   | 0907441     | CONTROL HANDLE ASSY - SHORT            |      |
| 517  | 0806515     | CONTROL HANDLE WELD'T                  | 1    |
| 518  | 9053524     | BEARING BR. FLG.752 X .879X.75         | 2    |
| --   | 0907347     | KIT - REAR HANDRAIL                    |      |
| 519  | 0400148     | 3/8-16X1.25 HHCS GR5 ZP                | 6    |
| 520  | 0400392     | 3/8-16 NYLOK HEX NUT ZINC              | 6    |
| 521  | 0806521     | HAND RAIL WELD'T                       | 2    |
| --   | 0907802     | KIT - RESERVOIR 5130-9055              |      |
| 522  | 0300287     | FITTING, PIPE BUSHING, 1.25X1          | 2    |
| 523  | 0300364     | CLAMP-HOSE, 0.875"-2.75" 50"LBS        | 2    |
| 524  | 0301350     | PIPE, 1-1/2 CLOSE NIPPLE               | 2    |
| 525  | 0301894     | SPIN-ON FLTR ASSY                      | 2    |
| 526  | 0302227     | CENTER BONDED MOUNT                    | 4    |
| 527  | 0302228     | SPECIAL WASHER (LORD                   | 4    |
| 528  | 0302570     | SIGHT GAUGE 3/4 NPT (SVM-12)           | 2    |
| 529  | 0302756     | SUCTION HOSE, 1-1/4IDX100 100R4        | 2.25 |
| 530  | 0303155     | PIPE PLUG 3/4 NPT MAGNETIC             | 2    |
| 531  | 0303338     | FITTING, ELBOW                         | 2    |
| 532  | 0305006     | FILLER CAP (GO205, FB194)              | 2    |
| 533  | 0307344     | SUCTION STRAINER                       | 2    |
| 534  | 0400122     | 3/8-16X1.25 HHCS GR5 ZP                | 8    |
| 535  | 0400149     | 3/8-16 X 5/8 HHCS GR5 ZP               | 24   |
| 536  | 0400150     | 3/8-16X2.5 HHCS GR5 ZP                 | 4    |
| 537  | 0400392     | 3/8-16 NYLOK HEX NUT ZINC              | 12   |
| 538  | 0400480     | 3/8 FLATWASHER ZP                      | 24   |
| 539  | 0706114     | GSKT-CLEANOUT&FLLR COVER               | 2    |
| 540  | 0802747     | PIPE-FILLER WLMT                       | 2    |
| 541  | 0803193     | SUPPORT-RESERVOIR WLDMT.               | 2    |
| 542  | 0806653     | RESERVOIR-LEFT WELDMENT                | 1    |
| 543  | 0806654     | RESERVOIR-RIGHT WELDMENT               | 1    |



## Section I - PARTS (cont'd)

### 7035 2-SPEED PARTS LIST (cont'd)

| ITEM | PART NUMBER | DESCRIPTION                      | QTY |
|------|-------------|----------------------------------|-----|
| --   | 0907778     | WINCH ASSEMBLY - 7035 2-SPEED    |     |
| 544  | 0300041     | FITTING, CONNECTOR 8MJ-8MB       | 4   |
| 545  | 0301577     | 1/4 OD PLASTIC AIRLINE, BLACK    | 70  |
| 546  | 0302495     | CONVOLUTED LOOM 1/4              | 70  |
| 547  | 0302496     | WIRE, 12GA-WHITE/BLACK           | 4   |
| 548  | 0303799     | WINCH, DP35K 2-SPEED             | 2   |
| 549  | 0310194     | HARNESS, WIRING 2-SPEED          | 1   |
| 550  | 0311193     | 6" CABLE TIE                     | 35  |
| 551  | 0400262     | 5/8-11X2.5" HHCS GR 8 ZP         | 16  |
| 552  | 0400426     | 5/8-11 GR 8 NYLOK NUT YZ PLT     | 16  |
| 553  | 0711164     | BLOCK - SHEAR                    | 8   |
| 554  | 0715947     | ANGLE - WINCH MOUNTING           | 2   |
| 555  | 0715948     | ANGLE - WINCH MOUNTING           | 2   |
| 556  | 0715949     | ANGLE - WINCH MOUNTING           | 2   |
| 557  | 0715950     | ANGLE - WINCH MOUNTING           | 2   |
| 558  | 9010520     | FITT, BRASS ELB 1/4T-1/4MP       | 2   |
| 559  | 9011071     | FITT, BRASS TEE 1/4T-1/4T-1/4T   | 1   |
| --   | 0911135     | INTEGRATED NON-LIGHTED CONTROL   |     |
| 560  | 0907708     | CNTRL KIT RT (KNOB, DECAL, PL)   | 1   |
| 561  | 0907757     | CNTRL KIT LEFT (KNOB, DECAL, PL) | 1   |
| --   | 0907708     | CNTRL KIT RT (KNOB, DECAL, PL)   |     |
| 562  | 0300835     | KNOB-BOOM (UP-DOWN)              | 1   |
| 563  | 0300836     | KNOB-CTRL-JACK (UP-DOWN)         | 2   |
| 564  | 0300837     | KNOB-BOOM (IN-OUT)               | 1   |
| 565  | 0307166     | PLUG 7/8                         | 2   |
| 566  | 0307604     | KNOB, RED LONG - SK0700-07       | 2   |
| 567  | 0310021     | PIGTAIL, PWR - SWITCH            | 1   |
| 568  | 0310022     | PIGTAIL, GND - SWITCH            | 1   |
| 569  | 0400061     | 1/4-20X3/4 MACH SCREW            | 3   |
| 570  | 0400062     | 1/4-20X3/4 THRD CUT HEX          | 12  |
| 571  | 0400070     | 1/4-20X1 HHCS GR5 ZP             | 4   |
| 572  | 0400101     | 5/16-18X1 RD MACH HD SS          | 4   |
| 573  | 0400107     | 5/16-18X2.5 HHCS GR5 ZP          | 4   |
| 574  | 0400367     | 1/4-20 NYLOK HEX NUT ZP          | 4   |
| 575  | 0400369     | 1/4 "J" TYPE TINNERMAN           | 3   |
| 576  | 0400379     | 5/16-18 "J" NUT TINNERMAN        | 4   |
| 577  | 0400393     | 3/8-16 HEX NUT JAM ZP            | 4   |
| 578  | 0400451     | 1/4 FLATWASHER ZP                | 6   |
| 579  | 0500914     | DECAL-CTRL PANEL WRECKER         | 1   |
| 580  | 0500915     | DECAL-CTRL PANEL SPADE           | 1   |
| 581  | 0501157     | TAG-CAUTION WINCH CABLE DAMAGE   | 2   |
| 582  | 0723231     | PANEL-CONTROL 6 HANDLE           | 1   |
| 583  | 0723232     | PANEL-SWITCH                     | 1   |
| 584  | 0724648     | BRACE                            | 1   |
| 585  | 9024041     | SWITCH-ROCKER, LIGHTED 12V       | 2   |
| --   | 0907757     | CNTRL KIT LEFT (KNOB, DECAL, PL) |     |
| 586  | 0300835     | KNOB-BOOM (UP-DOWN)              | 1   |

## Section I - PARTS (cont'd)

### 7035 2-SPEED PARTS LIST (cont'd)

| ITEM | PART NUMBER | DESCRIPTION                               | QTY |
|------|-------------|---|-----|
| --   | 0907757     | CNTRL KIT LEFT (KNOB, DECAL, PL) (cont'd) |     |
| 587  | 0300836     | KNOB-CTRL-JACK (UP-DOWN)                  | 2   |
| 588  | 0300837     | KNOB-BOOM (IN-OUT)                        | 1   |
| 589  | 0302856     | KNOB-TILT, 3/8-16 THREAD                  | 1   |
| 590  | 0302917     | KNOB-WHL LIFT EXT IN-OUT                  | 1   |
| 591  | 0303382     | KNOB - FOLD (UP-DN)                       | 1   |
| 592  | 0307604     | KNOB, RED LONG - SK0700-07                | 2   |
| 593  | 0307778     | PLUG, FILLER                              | 4   |
| 594  | 0310021     | PIGTAIL, PWR - SWITCH                     | 1   |
| 595  | 0310022     | PIGTAIL, GND - SWITCH                     | 1   |
| 596  | 0400005     | SCREW, ROUND PH 6-32 X 1/2 SS             | 6   |
| 597  | 0400062     | 1/4-20X3/4 THRD CUT HEX                   | 12  |
| 598  | 0400066     | 1/4-20X3/4 HHCS GR5 ZP                    | 3   |
| 599  | 0400070     | 1/4-20X1 HHCS GR5 ZP                      | 4   |
| 600  | 0400101     | 5/16-18X1 RD MACH HD SS                   | 4   |
| 601  | 0400107     | 5/16-18X2.5 HHCS GR5 ZP                   | 4   |
| 602  | 0400367     | 1/4-20 NYLOK HEX NUT ZP                   | 3   |
| 603  | 0400367     | 1/4-20 NYLOK HEX NUT ZP                   | 4   |
| 604  | 0400369     | 1/4 "J" TYPE TINNERMAN                    | 3   |
| 605  | 0400379     | 5/16-18 "J" NUT TINNERMAN                 | 4   |
| 606  | 0400393     | 3/8-16 HEX NUT JAM ZP                     | 9   |
| 607  | 0400451     | 1/4 FLATWASHER ZP                         | 6   |
| 608  | 0402094     | NUT, HEX 6-32 SS                          | 6   |
| 609  | 0500773     | DECAL PLATE-THROTTLE                      | 1   |
| 610  | 0500914     | DECAL-CTRL PANEL WRECKER                  | 1   |
| 611  | 0500915     | DECAL-CTRL PANEL SPADE                    | 1   |
| 612  | 0500916     | DECAL-CTRL PNL UNDERLIFT                  | 1   |
| 613  | 0501157     | TAG-CAUTION WINCH CABLE DAMAGE            | 2   |
| 614  | 0723230     | PANEL, CONTROL 9                          | 1   |
| 615  | 0723233     | PANEL, GAUGE 9                            | 1   |
| 616  | 0724648     | BRACE                                     | 1   |
| 617  | 9024041     | SWITCH-ROCKER, LIGHTED 12V                | 3   |

## Section I - PARTS (cont'd)

### 7035 2-SPEED W/ LOWRIDER 3 PARTS LIST

| ITEM | PART NUMBER | DESCRIPTION                     | QTY |
|------|-------------|---------------------------------|-----|
| --   | 125736033   | 7035 2-SP W/ LOWRIDER 3         |     |
| 1    | 0911086     | BUA 7035 W/ LOWRIDER 3          | 1   |
| --   | 0911086     | BUA 7035 W/ LOWRIDER 3          |     |
| 2    | 0400002     | 4X1/4 DRIVE SCREW RD HD         | 4   |
| 3    | 0903156     | CROSSBAR-5" ASSY                | 1   |
| 4    | 0910472     | BUA-7035 2-SP LESS U/L & TOWER  | 1   |
| 5    | 0911087     | U/L AND TOWER LOWRIDER 3        | 1   |
| --   | 0911087     | U/L AND TOWER LOWRIDER 3        |     |
| 6    | 0306745     | CYL - U/L TILT                  | 2   |
| 7    | 0306746     | CYL HYD - FOLD                  | 1   |
| 8    | 0400176     | 1/2-13X1 HHCS GR5 ZP            | 2   |
| 9    | 0802365     | PIN-TOWER PIVOT WLMT            | 2   |
| 10   | 0802459     | PIN-FOLD CYL. WLDMT             | 1   |
| 11   | 0802461     | PIN-UNDERLIFT PIVOT WLMT        | 1   |
| 12   | 0806756     | PIN WELD'T - FOLD CYLINDER      | 1   |
| 13   | 0807647     | TOWER WLMT - 7035               | 1   |
| --   | 0906572     | KIT-WINCH CABLE STOW            |     |
| 14   | 0911039     | 7035 LOWRIDER 3 ASSY            | 1   |
| 15   | RB0205      | SPLIT BUSHING                   | 2   |
| --   | 0911039     | 7035 LOWRIDER 3 ASSY            |     |
| 16   | 0300113     | GREASE FITTING, 1/4-28 STRAIGHT | 6   |
| 17   | 0302538     | BUSHING - U/L                   | 2   |
| 18   | 0310629     | CYL, HYD - U/L BOOM EXTEND      | 2   |
| 19   | 0400079     | 1/4-20X3/4 FL SKTSCR GR5        | 8   |
| 20   | 0400086     | 1/4-20X1.25 FLTHDSKTCPCSC       | 4   |
| 21   | 0400139     | 3/8-16X1.5 HEX SKT SET          | 1   |
| 22   | 0400249     | 5/8-11X1.25" SOC HD CAP S       | 2   |
| 23   | 0400344     | 1/2-13X3/4 LG FLAT HD SOCKET 8  | 8   |
| 24   | 0400392     | 3/8-16 NYLOK HEX NUT ZINC       | 1   |
| 25   | 0400594     | 1/4-20X5/8 SOC FLT HD           | 4   |
| 26   | 0400749     | 1/2-13X1.25 FLT HD SKT CAP SRW  | 8   |
| 27   | 0717869     | PLATE, SPACER (BOLT-ON)         | 4   |
| 28   | 0717871     | PIN, CYLINDER ROD               | 1   |
| 29   | 0717872     | PIN, EXTEND CYLINDER BASE       | 1   |
| 30   | 0717873     | PIN, SHEAR OUTER BOOM           | 2   |
| 31   | 0718087     | PLATE - PAD SPACER              | 2   |
| 32   | 0718096     | BLOCK, STOP                     | 2   |
| 33   | 0724419     | PLATE-PLUG RETAINER             | 2   |
| 34   | 0807973     | OUTER UL BOOM 7035 LOWRIDER 3   | 1   |
| 35   | 0807974     | CTR UL BOOM 7035 LOWRIDER 3     | 1   |
| 36   | 0810014     | BRACKET-EXT CYL                 | 1   |
| 37   | 0911040     | LOWRIDER 3 INNER ASSY           | 1   |
| 38   | 930150003   | TOP PADS                        | 6   |
| --   | 0911040     | LOWRIDER 3 INNER ASSY           |     |
| 39   | 0300113     | GREASE FITTING, 1/4-28 STRAIGHT | 2   |

**Section I - PARTS (cont'd)**

**7035 2-SPEED W/ LOWRIDER 3 PARTS LIST (cont'd)**

| ITEM | PART NUMBER | DESCRIPTION                    | QTY |
|------|-------------|--------------------------------|-----|
| --   | 0911040     | LOWRIDER 3 INNER ASSY (cont'd) |     |
| 40   | 0303088     | BUSHING - PIVOT PIN            | 1   |
| 41   | 0400483     | 3/8 CNTR'SUNK LOCKWASHER       | 4   |
| 42   | 0400594     | 1/4-20X5/8 SOC FLT HD          | 4   |
| 43   | 0400653     | FLAT HD SOCKET SCRW 3/8-24 X 1 | 4   |
| 44   | 0706996     | PAD, SPACER                    | 1   |
| 45   | 0807975     | INNER UL BOOM 7035 LOWRIDER 3  | 1   |
| 46   | 930150003   | TOP PADS                       | 2   |







**CENTURY®**

Miller Industries Towing Equipment Inc.

8503 Hilltop Drive • Ooltewah, Tennessee 37363 • (423) 238-4171

[www.millerind.com](http://www.millerind.com)