



BEACONS



7460 SERIES Profile™

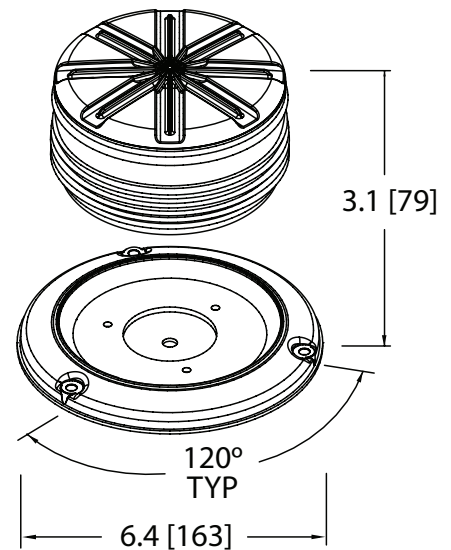
Compact, Low Profile

The compact and unobtrusive 7460 Series Profile™ LED Beacon incorporates a simple yet highly effective and robust design featuring an overhead heatsink that also allows removal of the flange when the unit is pipe mounted. The 7460 features a Pulse8 flash pattern (8 flashes per cycle, 75 FPM) that human vision is highly sensitive to in the periphery, increasing potential visibility here vehicle hazards are not in direct line of sight. This beacon offers maintenance free, low amp draw benefits of LED technology make this an ideal light for any application.

Models

PART NO.	MOUNT	LENS COLOR	LED COLOR OPTIONS
7460X	3 Bolt Flange/1" Pipe	■ A ■ B ■ G ■ R	<input type="checkbox"/> W
7460CX	3 Bolt Flange/1" Pipe	<input type="checkbox"/> W	■ A <input type="checkbox"/> W
7460X-VM	Vacuum Magnet	■ A ■ B ■ G ■ R	<input type="checkbox"/> W
7460CX-VM	Vacuum Magnet	<input type="checkbox"/> W	■ A <input type="checkbox"/> W

Replace "X" in part number with desired color: A=amber, B=blue, C=clear, G=green, R=red



Design Features

- 12-36 VDC, 3.6 Amps, 80 FPMx8
- Eight 3-watt LEDs and a parabolic reflector
- Pulse8 (eight flash per cycle) flash pattern
- Overhead heatsink design allows for unobtrusive pipe mounting with flange removed
- Temperature Range: -22°F to +122°F (-30°C to +50°C)

Parts & Accessories

- Pipe Mount: A6400MB

Detachable flange design allows easy and unobtrusive pipe mounting

