



DIRECTIONAL LEDS



ED3706 SERIES

Single- or Split-Color Multi-Mount

The ED3706 series is an ultra thin, low profile LED. Available in single- and split-color, this compact LED is ideal for a wide variety of applications, offering the flexibility of four mounting options: surface mount, tilt bracket, self-adhesive mount, and edge mount (all necessary hardware is included with each light). Featuring 29 flash patterns and synchronization capability, this super bright LED is designed for maximum light output at all angles.

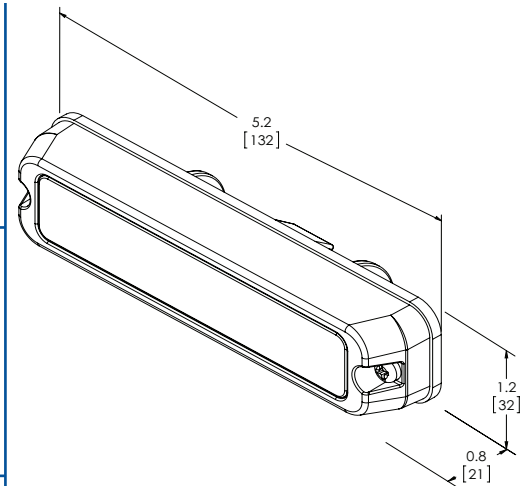
Models

PART NO.	TYPE	ILLUMINATION COLOR OPTIONS
ED3706X	Single	A B C G R
ED3706XX	Split	AB AC AG AR RB

Replace "X" in part number with desired color: A=amber, B=blue, C=clear, G=green, R=red

Design Features

- 12-24 VDC, 0.9 Amps
- Six high-intensity LEDs provide exceptional warning
- 29 flash patterns
- Sync-capable
- Aluminum housing, polycarbonate lens
- Four mounting options (hardware included)
- Temperature Range: -22°F to +122°F (-30°C to +50°C)



Mounting Options



Tilt Bracket / Self-Adhesive



Edge Mount