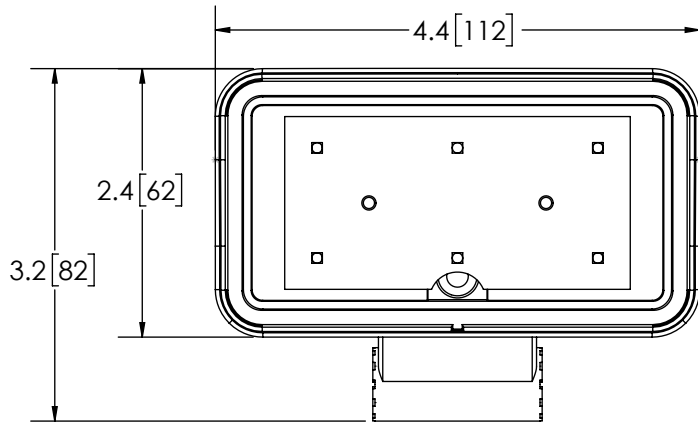
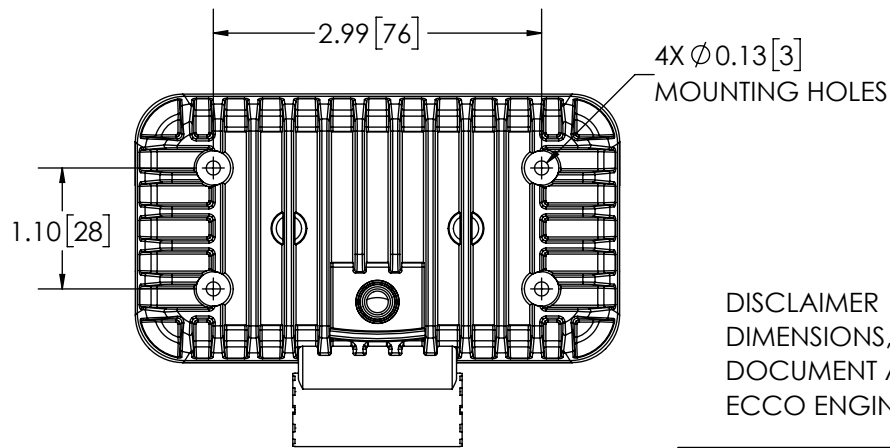


TOP VIEW



FRONT VIEW



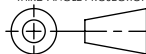
BACK VIEW

- NOTES:**
1. ROHS COMPLIANT
 2. LENS AND MOUNTING HARDWARE NOT SHOWN
 3. DIMENSIONS IN INCHES[MILLIMETERS (FOR REFERENCE)]

PROPRIETARY AND CONFIDENTIAL INFORMATION

THIS DRAWING AND THE DESIGN AND OTHER INFORMATION DISCLOSED HEREIN ARE THE PROPERTY OF ELECTRONIC CONTROLS COMPANY AND/OR ITS ECCO SAFETY GROUP AFFILIATES ("ECCO") AND IS ISSUED IN CONFIDENCE TO RECIPIENT FOR ENGINEERING INFORMATION PURPOSES ONLY. THIS DRAWING AND THE DESIGN AND OTHER INFORMATION DISCLOSED HEREIN MAY NOT BE USED, COPIED, REPRODUCED OR OTHERWISE DISCLOSED IN PART OR IN WHOLE TO THIRD PARTIES OR USED FOR ANY OTHER PURPOSE WITHOUT PRIOR ECCO WRITTEN CONSENT. ECCO RESERVES ALL PATENT, COPYRIGHT, TRADEMARK AND OTHER PROPRIETARY RIGHTS TO THIS DOCUMENT, INCLUDING ALL DESIGN, MANUFACTURING, REPRODUCTION, USE AND SALES RIGHTS THERETO. THIS DRAWING IS SUBJECT TO RECALL BY ECCO AT ANY TIME, AND YOUR POSSESSION AND/OR USE CONSTITUTES ACCEPTANCE OF THESE TERMS. ©2013 ELECTRONIC CONTROLS COMPANY

THIRD ANGLE PROJECTION



REVISION HISTORY		
REV.	DESCRIPTION	DATE
A	INITIAL RELEASE PER EC3410	2013-03-04
B	REVISED PER EL0139	2019-08-16
C	REVISED PER EC5703	2019-08-22

SPECIFICATIONS

1. CERTIFICATIONS: **CE**; ECE R10; IP67
 Note: Unique components, accessories, and hardware kits are not typically included in the Product Certification Test Protocols. Unless otherwise Specified, the Product Certifications referred to herein are predicated upon the base product model configuration.
2. RAW LUMENS: 1000 lumens
3. EFFECTIVE LUMENS: 900 lumens
4. ILLUMINANCE (@100 FT): 3.4 lux
5. PEAK BEAM INTENSITY: 3187 candela
6. VOLTAGE (NOMINAL): 12-24 VDC
7. VOLTAGE (EXTREME): 10-30 VDC
8. CURRENT (PEAK): 1.2A (@ 12 VDC NOMINAL)
9. POWER (MAXIMUM): 17.W (@ 12 VDC NOMINAL)
10. TEMPERATURE RANGE: -22°F (-30°C) TO 122°F (50°C)
11. CONNECTION: 2 CONDUCTOR CABLE
12. MOUNTING: SINGLE BOLT
13. HOUSING MATERIAL: ALUMINUM
14. LENS MATERIAL: POLYCARBONATE
15. PRODUCT WEIGHT: 0.84 LBS (0.38 Kg)

DISCLAIMER
 DIMENSIONS, ILLUSTRATIONS, SPECIFICATIONS, AND CERTIFICATIONS CONTAINED IN THIS DOCUMENT ARE TYPICAL OF THE ACTUAL PRODUCT AND ARE SUBJECT TO CHANGE. ECCO ENGINEERING DOES NOT MAINTAIN FORMAL DESIGN CONTROL OF THIS PRODUCT.

SCALE 1:1.75		APPROVALS	DATE
CAD GENERATED DRAWING DO NOT MANUALLY UPDATE. MODEL REFERENCED: A		DRAWN BY ABD	2019-08-19
		CHECKED MDH	2019-08-20
TOLERANCES ARE IN INCHES, AND MILLIMETERS TOLERANCES UNLESS OTHERWISE STATED ARE:		MECH. ENG. JLA	2019-08-19
MILLIMETERS DECIMALS XX. ± 1.0mm XX.X ± 0.5mm	INCHES DECIMALS X.X ± 0.1 X.XX ± 0.04 X.XXX ± 0.02	ELEC. ENG. JES	2019-08-21
	ANGLES ± 0.5°	TEST ENG. JRT	2019-08-21
	FRACTIONS ± 1/64	SALES	
ECCO ® www.eccolink.com Americas (800) 635-5900 Europe +44 (0)113 237 5340 Asia Pacific +61 (0)3 63322444		WORK LAMP, 6 LED, RECTANGLE, FLOOD, 10-30V	
CUSTOMER PART NO. EW2411		PRODUCT SERIES: EW2411	
SIZE: A	DWG. NO. EW2411	REV. C	
Electronically Controlled Use Latest Copy		SHEET 1 OF 1	Project: EC3410 Date Created: 2013-02-08