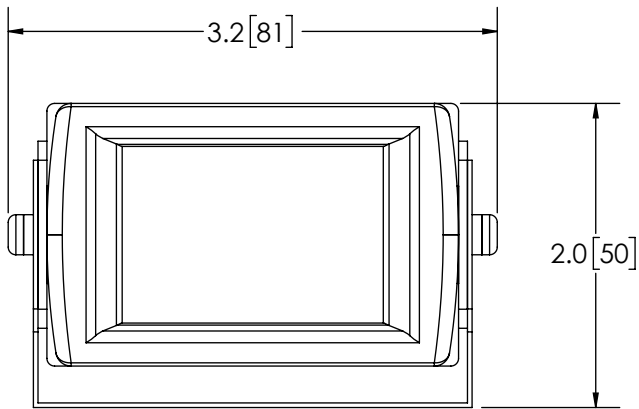
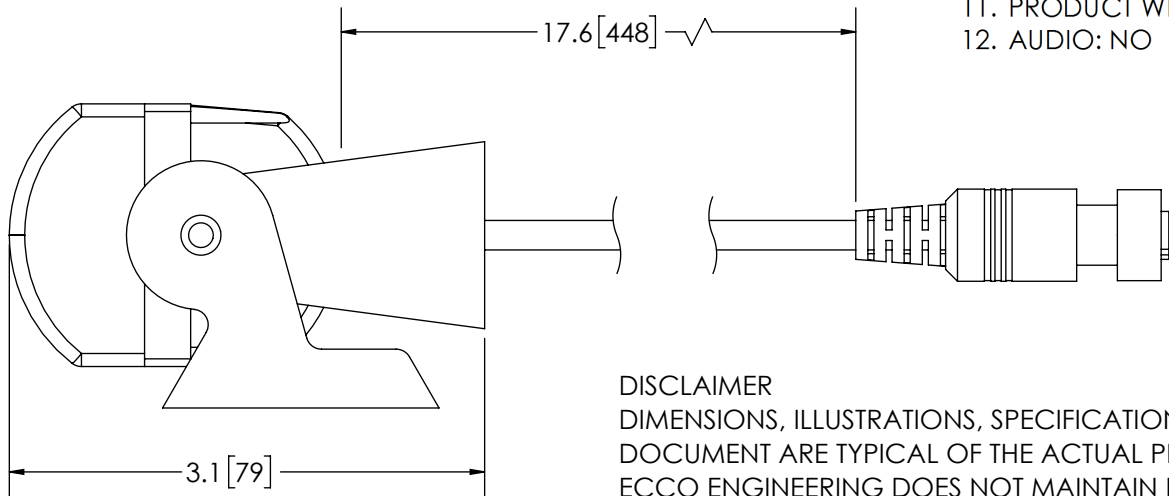


REVISION HISTORY		
REV.	DESCRIPTION	DATE
01	PRELIMINARY RELEASE PER EC4713	2017-10-20
02	REVISED PER EC4713	2017-11-01
A	INITIAL RELEASE PER EC4713	2017-12-18




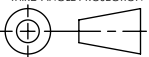
SPECIFICATIONS

- CERTIFICATIONS: **CE**; IP69K ;
 Note: Unique components, accessories, and hardware kits are not typically Included in the Product Certification Test Protocols. Unless otherwise Specified, the Product Certifications referred to herein are predicated upon the base product model configuration.
- LENS ANGLE: 120°
- RESOLUTION: 725 X 488 (PIXELS)
- 18 IR LEDs FOR NIGHT VISION (8-10M VISIBILITY)
- VOLTAGE (NOMINAL): 12 VDC
- VOLTAGE (EXTREME): 10 to 16 VDC
- POWER (NOMINAL): 1W (@ 12 VDC NOMINAL)
- TEMPERATURE RANGE: -22°F (-30°C) TO 158°F (70°C)
- CONNECTION: 4 PIN CABLE
- RECOMMENDED MOUNTING: UNIVERSAL BRACKET
- PRODUCT WEIGHT: 0.6 LBS (0.0 Kg)
- AUDIO: NO



DISCLAIMER
 DIMENSIONS, ILLUSTRATIONS, SPECIFICATIONS, AND CERTIFICATIONS CONTAINED IN THIS DOCUMENT ARE TYPICAL OF THE ACTUAL PRODUCT AND ARE SUBJECT TO CHANGE. ECCO ENGINEERING DOES NOT MAINTAIN FORMAL DESIGN CONTROL OF THIS PRODUCT.

NOTES:
 1. DIMENSIONS IN INCHES [MILLIMETERS (FOR REFERENCE)]

SCALE 1:1.25		APPROVALS	DATE	 ECCO [®] www.eccoesg.com Americas (800) 635-5900 Europe +44 (0)113 237 5340 Asia Pacific +61 (0)3 63322444
CAD GENERATED DRAWING DO NOT MANUALLY UPDATE. MODEL REFERENCED: 01		DRAWN BY	2017-11-01	
TOLERANCES ARE IN INCHES, AND MILLIMETERS UNLESS OTHERWISE STATED ARE:		CHECKED ABB	2017-11-02	
		MECH. ENG. JLA	2017-11-03	
MILLIMETERS DECIMALS XX. ± 1.0mm XX.X ± 0.5mm	INCHES DECIMALS X.X ± 0.1 X.XX ± 0.04 X.XXX ± 0.02	ANGLES ± 0.5°	ELEC. ENG. JES	2017-11-03
		FRACTIONS ± 1/64	TEST ENG. JRT	2017-11-08
			SALES	
NON DISCLOSURE AGREEMENT		CUSTOMER PART NO. C2013B		PRODUCT SERIES:
THIRD ANGLE PROJECTION		SIZE: A	DWG. NO. C2013B	REV. A
		Electronically Controlled Use Latest Copy		SHEET 1 OF 1 Project: EC4713 Date Created: 2017-10-20

THIS DRAWING AND THE DESIGN IT DISCLOSES ARE THE PRIVATE PROPERTY OF ELECTRONIC CONTROLS CO. AND IS ISSUED IN CONFIDENCE FOR ENGINEERING INFORMATION ONLY. THE DRAWING AND / OR DESIGN MAY NOT BE USED, COPIED, REPRODUCED, OR OTHERWISE DISCLOSED IN PART OR AS A WHOLE TO OUTSIDERS OR USED FOR ANY OTHER PURPOSE WITHOUT THE PRIOR WRITTEN CONSENT OF ELECTRONIC CONTROLS CO. THE DRAWING IS SUBJECT TO RECALL AT ANY TIME. YOUR POSSESSION OF THIS DOCUMENT CONSTITUTES ACCEPTANCE OF THESE TERMS. © 2017 ELECTRONIC CONTROLS CO.