

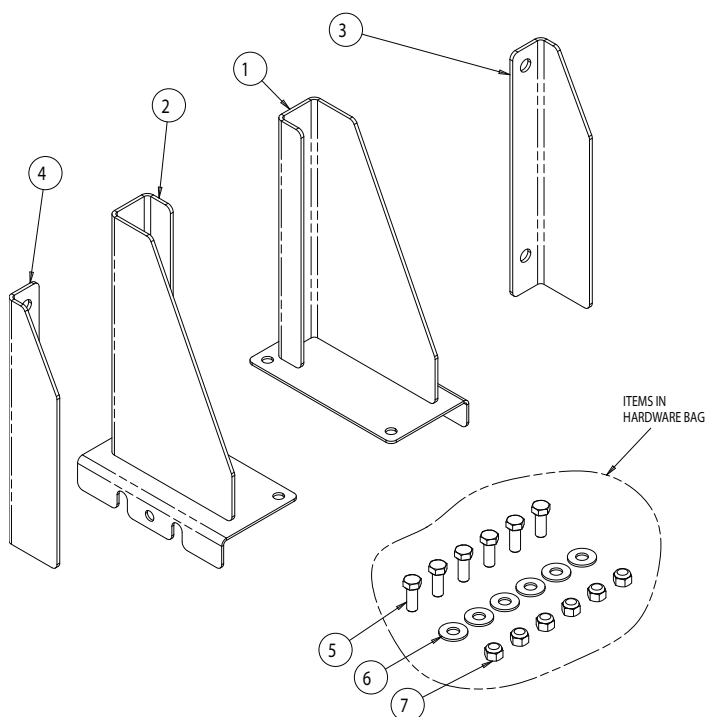
Installation Instructions

Side Extension Bracket Kit

5531020 Black Steel,
5534020 Stainless Steel

*Must Be Used With Cab Guard Kit 5531010 or 5534010.
Recommended To Be Used With One 2" X 12" Board Per Side
(Not Included)*

Please check contents of box against BOM shown below:



- 1.** Use existing hole and (1) hex head cap screw to position rear bracket assemblies (Fig. 1).
- 2.** Use the two holes in the bracket assemblies to transfer marks needed for drilling additional mounting holes (Fig. 2).
- 3.** Remove rear bracket assemblies and drill 9/16" diameter holes in the four positions marked; two each side (Fig. 2).
- 4.** Using included cap screws, flat washers and locknuts, install rear bracket assemblies (Fig. 2).
- 5.** Remove the cab guard hardware, mount front brackets, and reinstall hardware (Fig. 3).
- 6.** Measure distance between bracket surfaces to determine necessary length of board for side walls. Cut boards to this length (Fig. 4).

Bill of Materials

ITEM	PART NO. BLACK STL/STAINLESS STL	QTY.	DESCRIPTION
1	3030756/3030760	1	BRACKET ASM,REAR DS
2	3030757/3030761	1	BRACKET ASM,REAR PS
3	3014905/3016946	1	BRACKET,FRONT DS
4	3014906/3016947	1	BRACKET,FRONT PS
5	FCS038016100SS	6	HEX HEAD CAP SCREW, 3/18-16 X 1
6	FWF038100007SS	6	FLAT WASHER, SST
7	FNE038016044SS	6	LOCK NUT, 3/8-16, SST

WARNING

Manufacturer's Vehicle Weight Ratings Must Not Be Exceeded.
Side Extensions Are Intended To Be Used With Lightweight
Materials Only.

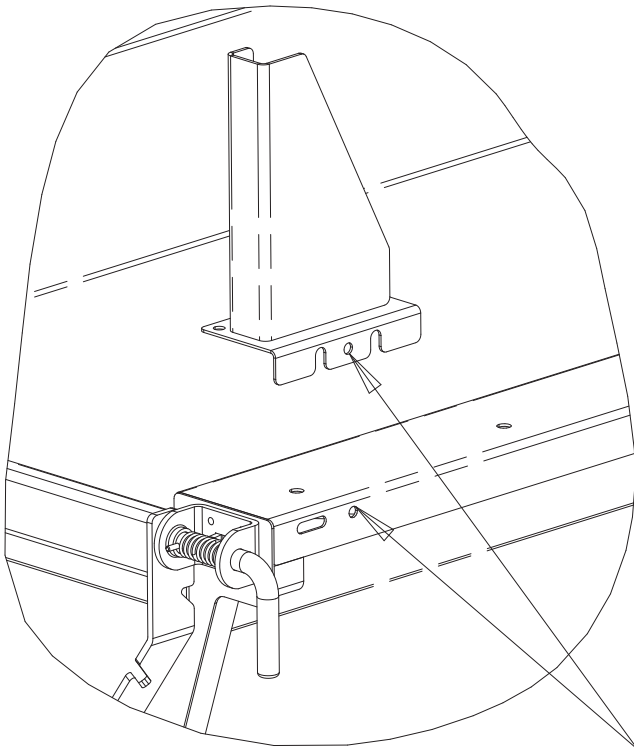
WARNING

Buyers Products Co. Is Not Responsible For Any Damage To Side Extension Brackets, DumperDogg®, Vehicle Or Other Equipment Due To Overloading. Any Alterations Or Additions Made To The DumperDogg® Beyond The Intent Of DumperDogg® Brand Side Extension Kits Or Tailgate May Cause Product Damage, Failure, Serious Injury And Will Void The Warranty.

WARRANTY

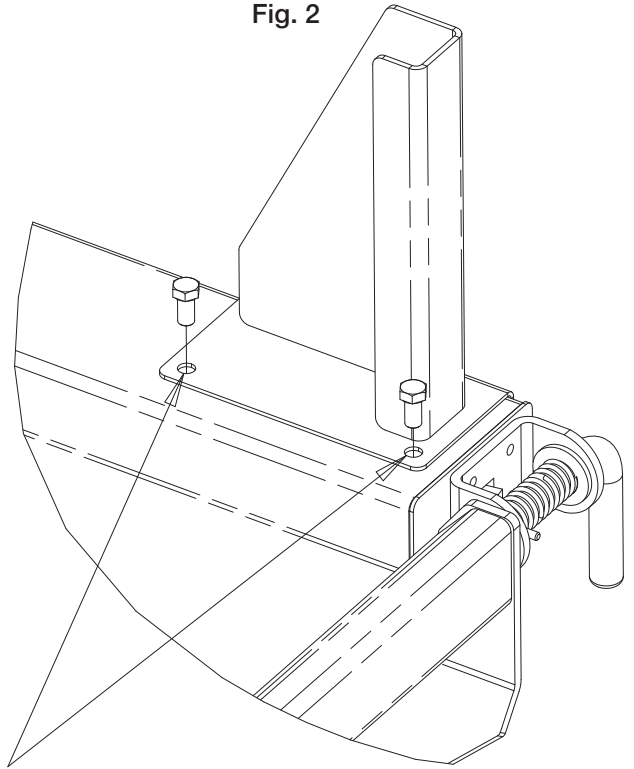
Buyers Products Co. warrants all truck/trailer hardware manufactured or distributed by it, to be free from defects in material and workmanship for a period of one year from date of shipment. Parts must be properly installed and used under normal conditions. Any product which has been altered, including modification, misuse, accident or lack of maintenance will not be considered under warranty. Normal wear is excluded. The sole responsibility of Buyers Products Co. under this warranty is limited to repairing or replacing any part or parts which are returned, prepaid, and are found to be defective by Buyers Products Co. Authorization from Buyers Products Co. must be obtained before returning any part. No charges for transportation or labor performed on Buyers' products will be allowed under this warranty.

Fig. 1



LINE-UP WITH EXISTING HOLE

Fig. 2



USE BRACKET TO MARK HOLE POSITIONS, DRILL 9/16" DIA. HOLES

Fig. 3

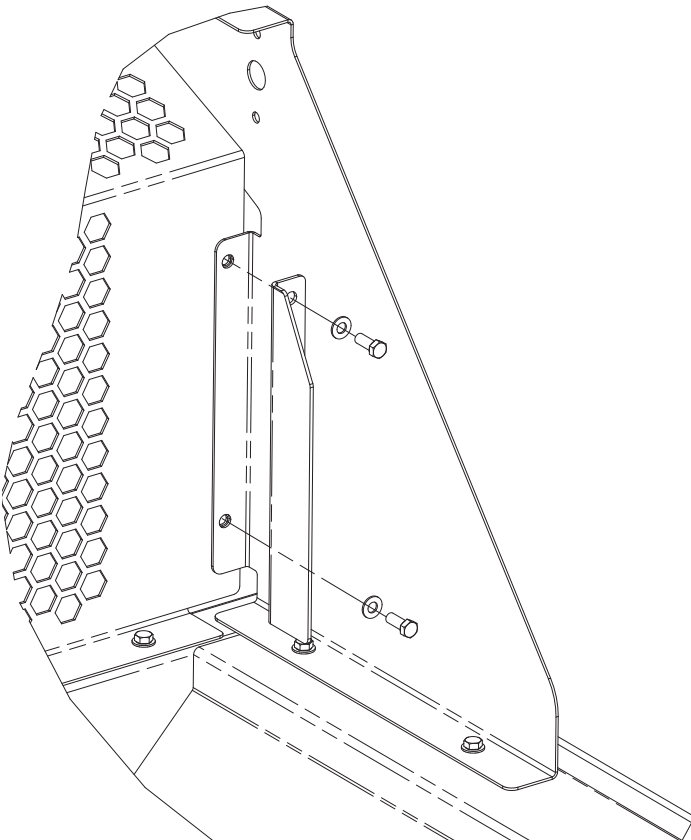
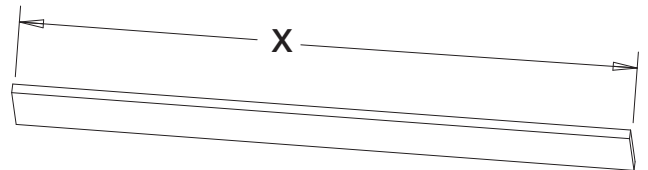


Fig. 4



MEASURE BETWEEN INSIDE OF FRONT AND REAR BRACKETS TO OBTAIN LENGTH "X" FOR THE NECESSARY LENGTH OF BOARD

