



SP-RMS250



SP25MMGP



SP142025MM



SP142088MAGB

**Package Contents:**

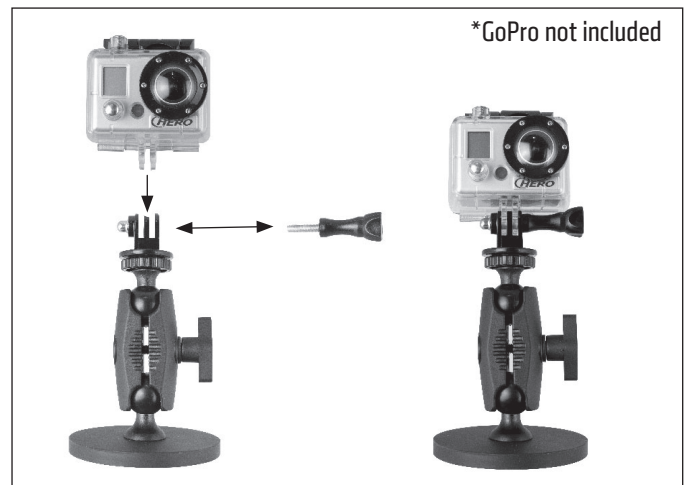
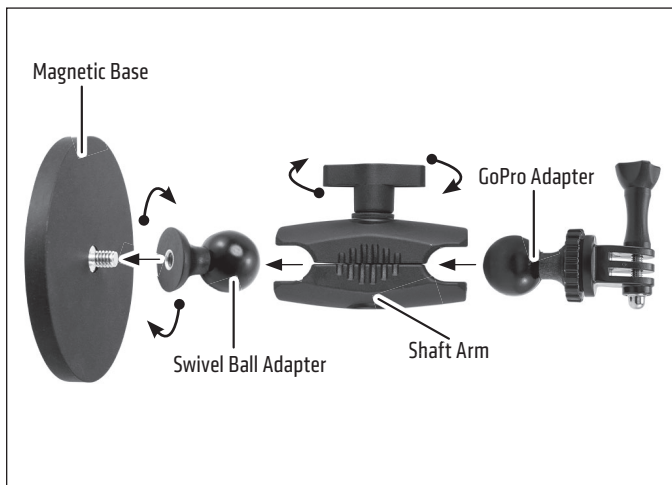
- (1) SP-RMS250 – 2.75" Robust Mount Shaft Arm
- (1) SP25MMGP – 25mm Swivel Ball to GoPro® HERO Lateral Prong Pattern Adapter
- (1) SP142025MM – 1/4"-20 Camera Tripod Bolt to 25mm Swivel Ball Adapter
- (1) SP142088MAGB – 88mm Diameter Round Heavy-Duty Magnetic Base with 1/4"-20 Camera Mounting Bolt

**Compatibility:**

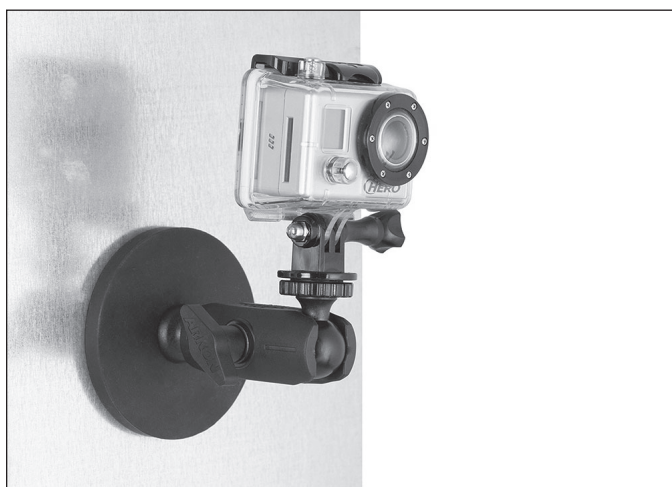
Compatible with GoPro® HERO® and MAX models

- 1 Screw the swivel ball adapter onto the magnetic base. Loosen the mount shaft arm and attach to the swivel ball adapter. Attach GoPro adapter to the other end of the mount shaft arm. Tighten the mount shaft arm to secure.

- 2 Remove GoPro adapter knob and insert GoPro. Re-insert the knob and tighten to secure.



- 3 Adjust the mount to the desired position and attach to a metal surface.



**! Safety Precautions**

Arkon is not responsible for any damages caused to you or your devices due to the installation or use of this mount.

**ARKON® MOUNTS**

**Consumer Hotline:**

USA (800) 841-0884

INT'L (626) 254-9005

Monday - Friday 9 am - 5 pm, PST

[www.arkon.com](http://www.arkon.com)

Arcadia, CA 91006 USA

Designed in USA | Made in Taiwan

© Copyright 2021 Arkon Resources, Inc.