



BEACONS



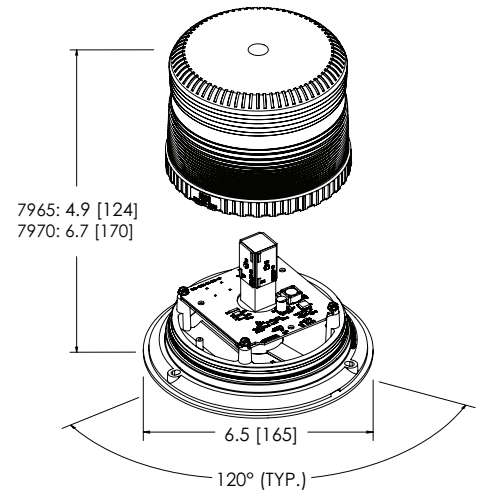
7965 SERIES PULSE® II LED Beacon

The 7965 Series beacon combines all the major benefits of the latest LED technology with a traditional, strobe style housing at a price point comparable to a strobe. Available in either 5" or 7" height profiles, the 7965 is suitable for a wide range of applications where a high-intensity SAE Class I light is required. The 7965 features 12-24VDC operation and 11 flash patterns that produce an attention-getting warning signal.

Models

PART NO.	TYPE	MOUNT	LENS COLOR
7965X	5"	3 Bolt / 1" Pipe, VM or HBT	■ A ■ B ■ C ■ G ■ R
7965A-DEL3	5" Delphi 3-Pin Connector	3 Bolt	■ A
7970X	7"	3 Bolt / 1" Pipe, VM or HBT	■ A ■ B ■ C ■ G ■ R

Replace "X" with A = Amber, B = Blue, C = Clear, G = Green, R = Red
 Add "-VM" mounting extension to end of model for vacuum-magnet mount
 Add "-HBT" mounting extension to end of model for high-bond tape mount



Design Features

- 12-24 VDC, 3.6 Amps
- Choose profile height: 5" (7965) or 7" (7970)
- 11 flash patterns
- Aluminum base, polycarbonate lens
- Switched cigarette plug adapter (vacuum-magnet models)
- Temperature Range: -22°F to +122°F (-30°C to +50°C)

Parts & Accessories

- Lenses: 7965 - R6050LX
7970 - R6070LX