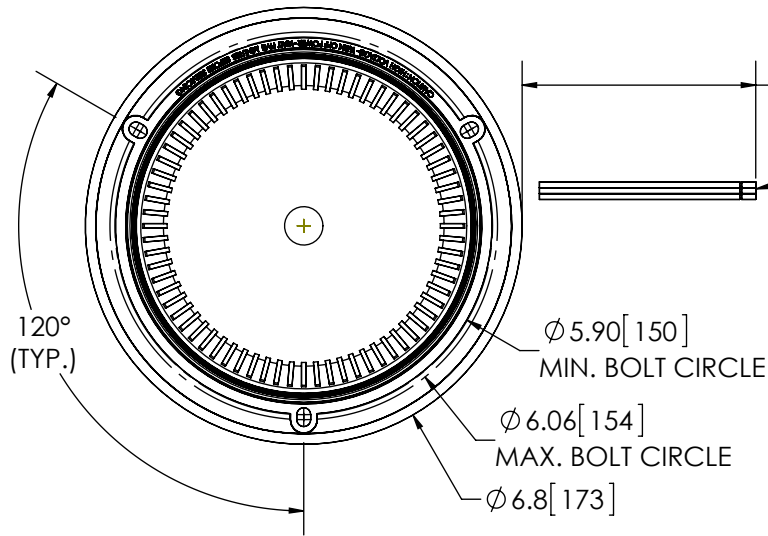


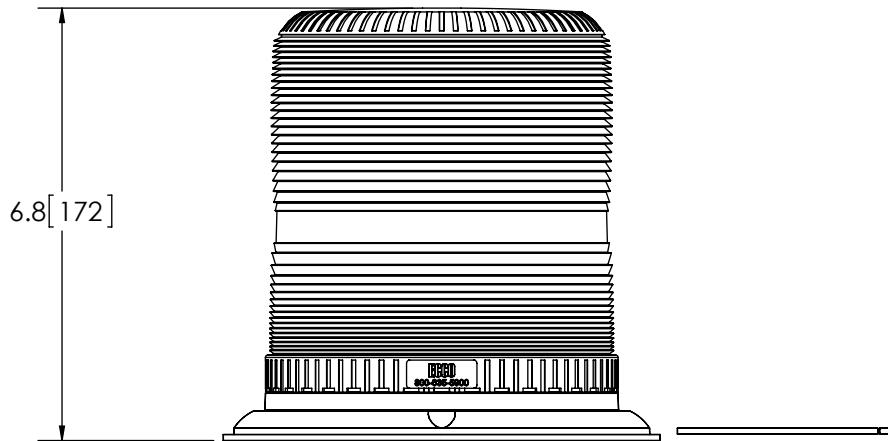
REVISION HISTORY		
REV.	DESCRIPTION	DATE
A	INITIAL RELEASE PER P11062	2012-05-04
B	REVISE PER	2013-08-15
C	REVISE PER P12027	2014-03-07



3-16 AWG WIRES
 RED: POSITIVE(+)
 BLACK: NEGATIVE(-)
 YELLOW: FLASH PATTERN SELECT

SPECIFICATIONS

- CERTIFICATIONS: SAE J845 (DEC 2007) SEE CHART;
 Note: Unique components, accessories, and hardware kits are not typically included in the Product Certification Test Protocols. Unless otherwise Specified, the Product Certifications referred to herein are predicated upon the base product model configuration.
- FLASH MODE: SINGLE FAST : 120 ± 5 FLASHES PER MINUTE
 DOUBLE : 80 ± 5 FLASHES PER MINUTE
 DOUBLE FAST : 120 ± 5 FLASHES PER MINUTE
- VOLTAGE (NOMINAL): 12 to 24 VDC
- VOLTAGE (EXTREME): 9.0 to 32.0 VDC
- CURRENT (PEAK): 3.6A (@ 12 VDC NOMINAL)
- POWER (MAXIMUM): 46.1W (@ 12 VDC NOMINAL)
- TEMPERATURE RANGE: -22°F (-30°C) TO 122°F (50°C)
- CONNECTION: 3-16 AWG. WIRES
- MOUNTING: FLANGE; PIPE MOUNT
- BASE MATERIAL: ALUMINUM
- LENS MATERIAL: POLYCARBONATE
- PRODUCT WEIGHT: 1.7 LBS (0.77 Kg)



FGS PRODUCT CHART		
FGS. NO.	COLOR	SAE J845
7970A	AMBER	CLASS 1
7970B	BLUE	CLASS 2
7970C	CLEAR	CLASS 1
7970G	GREEN	N/A
7970R	RED	N/A

- NOTES:
 1. ROHS COMPLIANT
 2. DIMENSIONS IN INCHES[MILLIMETERS (FOR REFERENCE)]

SCALE 1:3		APPROVALS	DATE
CAD GENERATED DRAWING DO NOT MANUALLY UPDATE. MODEL REFERENCED-C		DRAWN BY: BND	2014-02-12
		CHECKED: MDH	
TOLERANCES ARE IN INCHES, AND MILLIMETERS TOLERANCES ARE:		MECH. ENG.: JLA	
		ELEC. ENG.: GCJ	
MILLIMETERS DECIMALS XX. ± 1.0mm XX.X ± 0.5mm	INCHES DECIMALS X.X ± 0.1 X.XX ± 0.04 X.XXX ± 0.02	ANGLES ± 0.5°	
		FRACTIONS ± 1/64	
		TEST ENG.: JRT	
		SALES: LAT	
THIRD ANGLE PROJECTION			

ECCO® Electronic Controls Co.
 833 West Diamond Street, Boise, ID 83705
 800-635-5900
 www.eccolink.com

LED BEACON, 360°, 6", 12-24V

CUSTOMER PART NO. SEE CHART		PRODUCT SERIES: 7900	
SIZE: A	DWG. NO. 7970X	REV. C	
Electronically Controlled Use Latest Copy		SHEET 1 OF 1	Project: P11062 Date Created: 2012-01-19