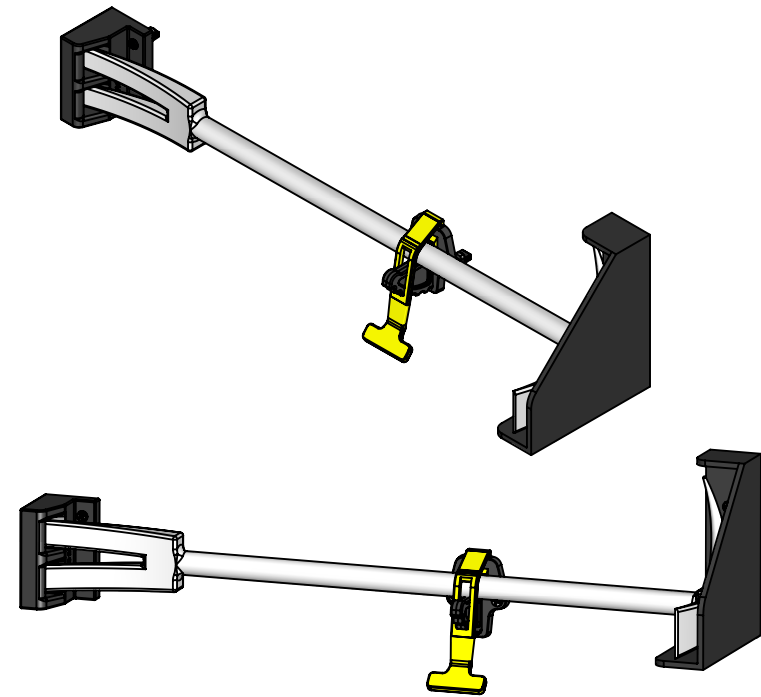
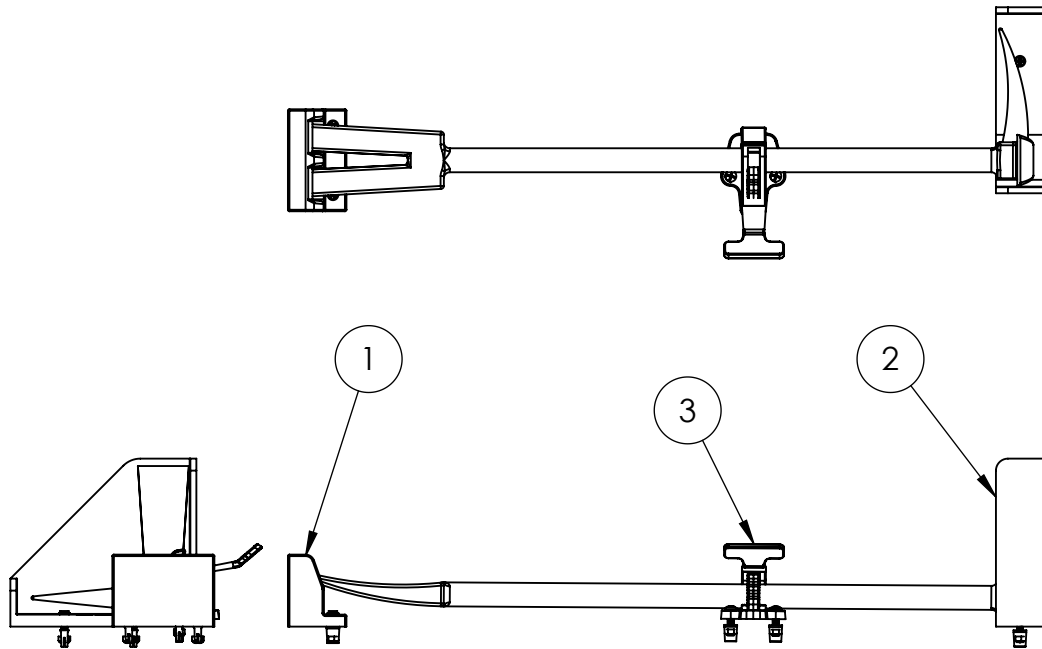


| REV | DESCRIPTION | DATE | APPR |
|-----|-------------------------------|---------|------|
| A | UPDATED FOR NEW TOOLOK 1003HD | 12/1/16 | JPG |



| 3 | 1003HD | TOOLOK HD | 1 |
|----------|---------|-------------------|-----|
| 2 | 2071 | DUAL POINT HOLDER | 1 |
| 1 | 2070 | CLAW END HOLDER | 1 |
| ITEM NO. | PAC P/N | PART NAME | QTY |

NOTES:

ALSO AVAIL:

BLACK STRAP P/N K5032B
ORANGE STRAP P/N K5032-OR

PERFORMANCE
ADVANTAGE
COMPANY



TOLERANCES UNLESS OTHERWISE SPECIFIED

.X= ± .03
.XX= ± .010
.XXX= ± .005
.XXXX= ± 0.0005
ANGLES ± 0.5 °
FRACTIONAL ± 1/64

THIRD ANGLE PROJECTION



COLOR

| NAME | DATE | THE INFORMATION CONTAINED IN THIS DRAWING IS THE SOLE PROPERTY OF PERFORMANCE ADVANTAGE CO. ANY REPRODUCTION IN PART OR AS A WHOLE WITHOUT THE WRITTEN PERMISSION OF PERFORMANCE ADVANTAGE CO. IS PROHIBITED. | |
|---------------|------|---|--|
| DRAWN BY | | TITLE: HALLIGAN TOOL MTG. KIT PART NUMBER K5032 SCALE: 1:8 | |
| APPR. BY | | | |
| MFG BY | | | |
| MFG. P/N | | | |
| ENG APPR. | | | |
| MATERIAL | | | |
| ALT. MATERIAL | | REV | |
| FINISH | | SHEET 1 OF 2 | |