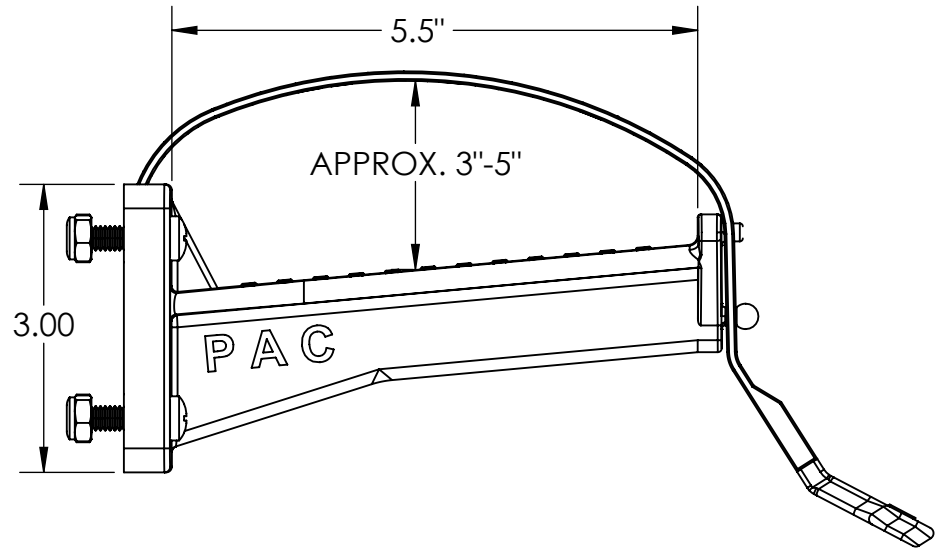
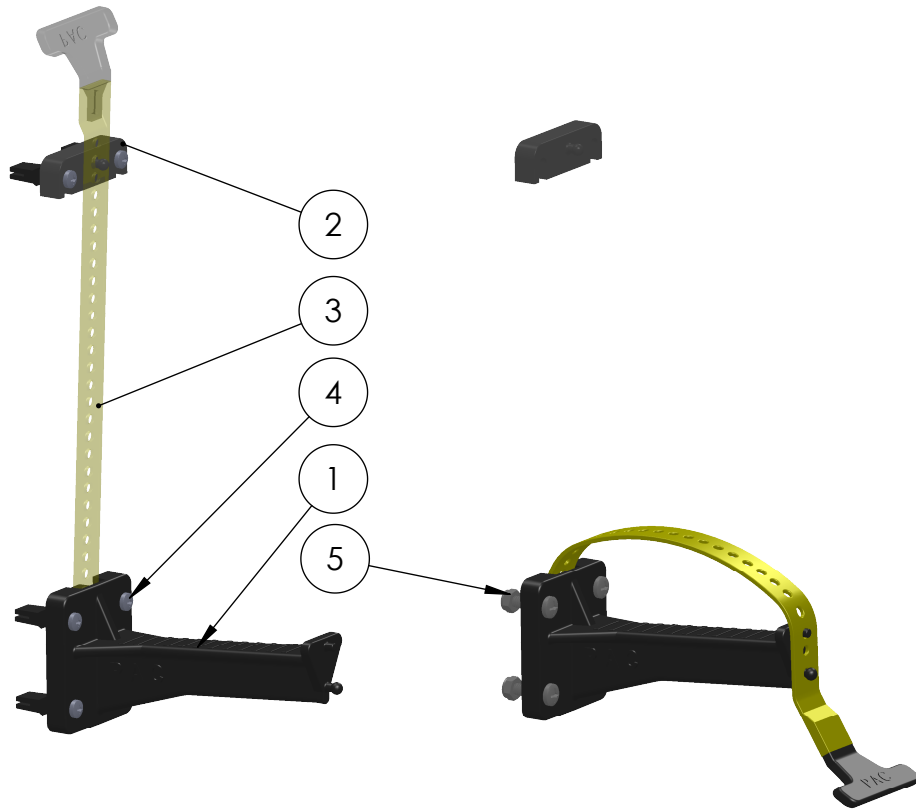


REV	DESCRIPTION	DATE	APPR



5	7048	FASTENER KIT	3
4	7034	FASTENER KIT	3
3	4016-1	EXTENDED UNIVERSAL STRAP	1
2	4016-3	STRAP RETAINER	1
1	1021P	COIL-LOK PART	1
ITEM NO.	PAC P/N	PART NAME	QTY.

NOTES:

OTHER VERSIONS:

P/N 1021- OR ORANGE STRAP
P/N 1021-B BLACK STRAP

PERFORMANCE
ADVANTAGE
COMPANY



TOLERANCES UNLESS OTHERWISE SPECIFIED

.X= ± .03
.XX= ± .010
.XXX= ± .005
.XXXX= ± 0.0005
ANGLES ± 0.5 °
FRACTIONAL ± 1/64

THIRD ANGLE PROJECTION



COLOR

NAME	DATE	THE INFORMATION CONTAINED IN THIS DRAWING IS THE SOLE PROPERTY OF PERFORMANCE ADVANTAGE CO. ANY REPRODUCTION IN PART OR AS A WHOLE WITHOUT THE WRITTEN PERMISSION OF PERFORMANCE ADVANTAGE CO. IS PROHIBITED.	
DRAWN BY		TITLE: COIL-LOK ASSEMBLY	
APPR. BY			
MFG BY		PART NUMBER 1021	
MFG. P/N			
ENG APPR.		SCALE: 1:4	
MATERIAL			
ALT. MATERIAL		SHEET 1 OF 2	
FINISH			
		REV	