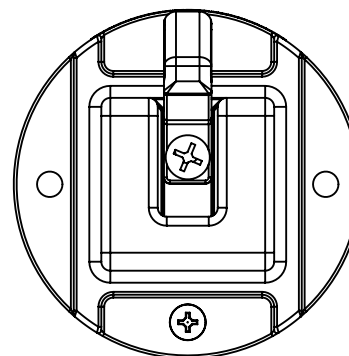
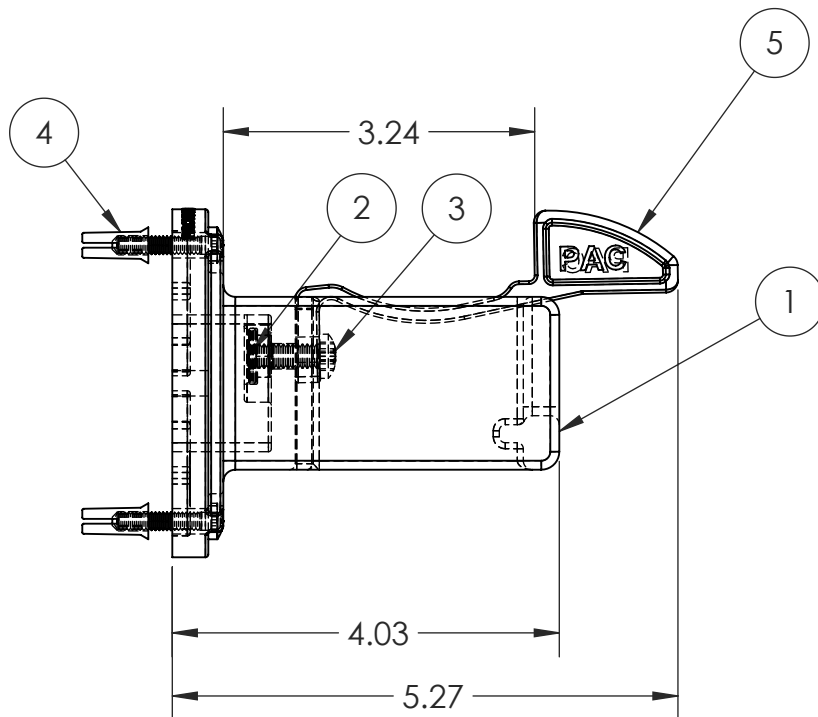


REV	DESCRIPTION	DATE	APPR
B	REDESIGNED	2/14/21	



5	1042-205	LATCH	1	B
4	7055	FASTENER KIT	1	
3	2098	14-20 X 3/4 PHIL PANHEAD	1	
2	2042	FLANGED NUT 1/4-20	1	
1	1042-203	2-1/2" BASE SINGLE	1	B
ITEM NO.	PAC P/N	PART NAME	QTY.	REV

NOTES:

**PERFORMANCE
ADVANTAGE
COMPANY**



TOLERANCES UNLESS OTHERWISE SPECIFIED

.X= ± .03
.XX= ± .010
.XXX= ± .005
.XXXX= ± 0.0005
ANGLES ± 0.5 °
FRACTIONAL ± 1/64

THIRD ANGLE PROJECTION



COLOR

NAME	DATE	THE INFORMATION CONTAINED IN THIS DRAWING IS THE SOLE PROPERTY OF PERFORMANCE ADVANTAGE CO. ANY REPRODUCTION IN PART OR AS A WHOLE WITHOUT THE WRITTEN PERMISSION OF PERFORMANCE ADVANTAGE CO. IS PROHIBITED.	
DRAWN BY		TITLE: 2-1/2" ADAPTER MOUNT	
APPR. BY			
MFG BY		PART NUMBER 1042-2	
MFG. P/N			
ENG APPR.		REV B	
MATERIAL			
ALT. MATERIAL		SCALE: 1:2	
FINISH			
		SHEET 1 OF 1	