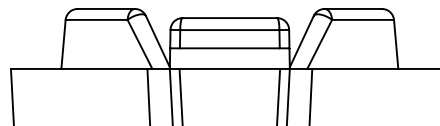
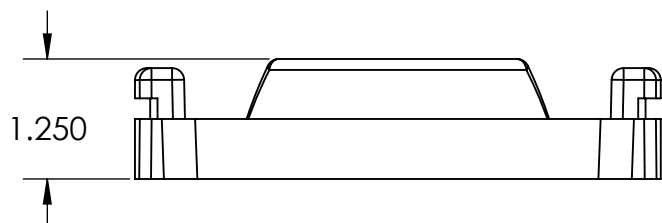
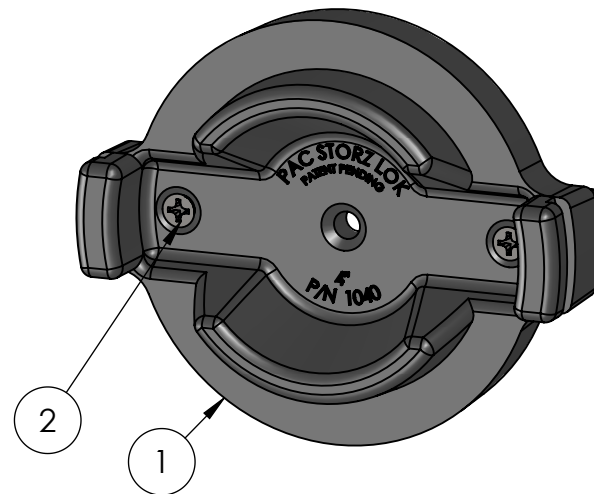
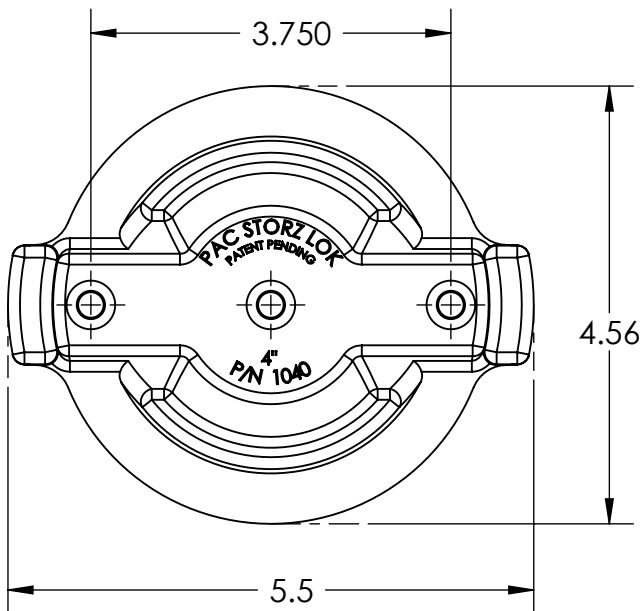


REV	DESCRIPTION	DATE	APPR



2	7031	FASTENER KIT		1
1	1040-4P	STORZ LOK 4"	BLACK	1
ITEM NO.	PAC P/N	PART NAME	COLOR	QTY

NOTES:

PERFORMANCE
ADVANTAGE
COMPANY



TOLERANCES UNLESS OTHERWISE SPECIFIED

.X= ± .03
.XX= ± .010
.XXX= ± .005
.XXXX= ± 0.0005
ANGLES ± 0.5 °
FRACTIONAL ± 1/64

THIRD ANGLE PROJECTION



COLOR
BLACK

NAME	DATE
DRAWN BY JIM GONZALEZ	8/19/2010
APPR. BY	
MFG BY	
MFG. P/N	
ENG APPR.	
MATERIAL	
ALT. MATERIAL	
FINISH	

THE INFORMATION CONTAINED IN THIS DRAWING IS THE SOLE PROPERTY OF PERFORMANCE ADVANTAGE CO. ANY REPRODUCTION IN PART OR AS A WHOLE WITHOUT THE WRITTEN PERMISSION OF PERFORMANCE ADVANTAGE CO. IS PROHIBITED.

TITLE:

STORZ LOK 4"

PART NUMBER
1040-4

REV

SCALE: 1:2

SHEET 1 OF 2