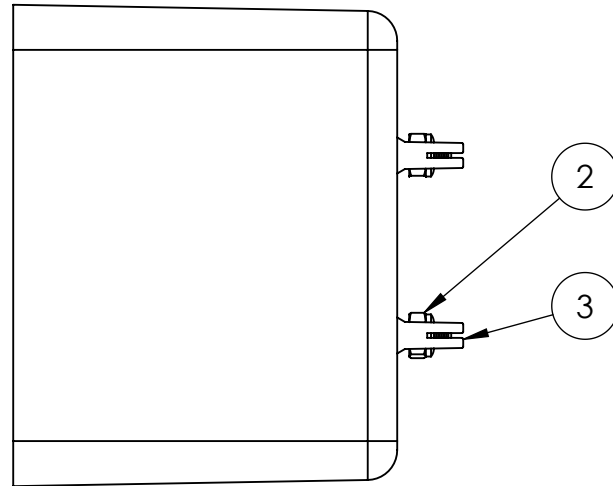
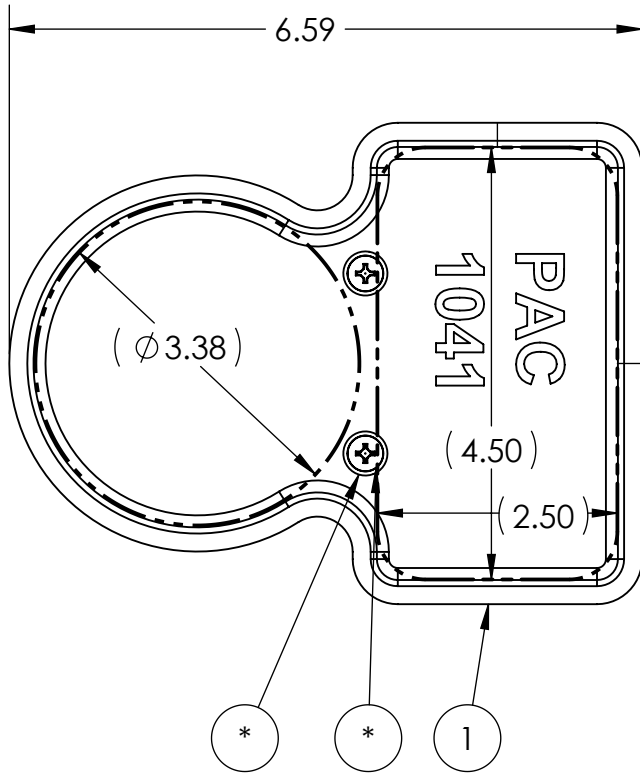


REV	DESCRIPTION	DATE	APPR



ITEM NO.	PAC P/N	PART NAME	QTY.
3	7029	FASTENER KIT	1
2	2035	FASTENER PACK	1
1	1041P	GAS/OIL CONTAINER	1

NOTES:

FOR USE WITH 1 QT. ROUND AND RECTANGULAR CONTAINERS

**PERFORMANCE
ADVANTAGE
COMPANY**



TOLERANCES UNLESS OTHERWISE SPECIFIED

.X= ± .03
.XX= ± .010
.XXX= ± .005
.XXXX= ± 0.0005
ANGLES ± 0.5 °
FRACTIONAL ± 1/64

THIRD ANGLE PROJECTION



COLOR

NAME	DATE
DRAWN BY	
APPR. BY	
MFG BY	
MFG. P/N	
ENG APPR.	
MATERIAL	
ALT. MATERIAL	
FINISH	

THE INFORMATION CONTAINED IN THIS DRAWING IS THE SOLE PROPERTY OF PERFORMANCE ADVANTAGE CO. ANY REPRODUCTION IN PART OR AS A WHOLE WITHOUT THE WRITTEN PERMISSION OF PERFORMANCE ADVANTAGE CO. IS PROHIBITED.

TITLE:

GAS/OIL POCKET MOUNT

PART NUMBER

1041

REV

SCALE: 1:2

SHEET 1 OF 1