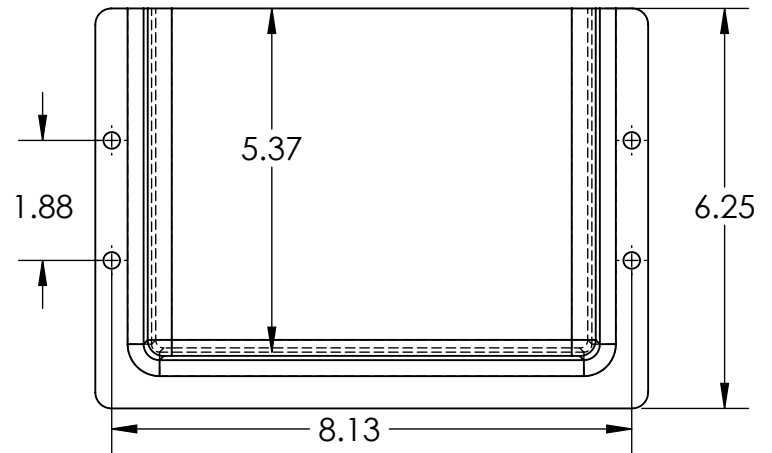
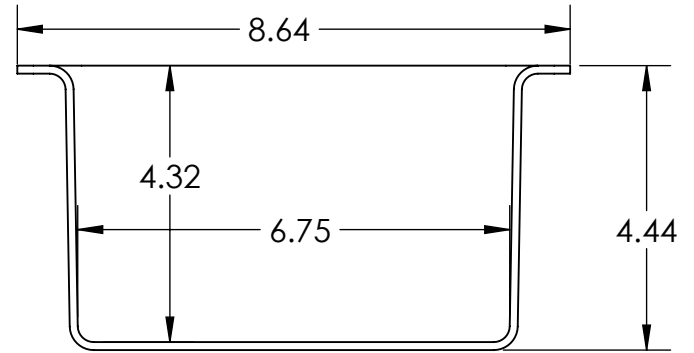


REV	DESCRIPTION	DATE	APPR



3	7003	HARDWARE KIT	1
2	2035	FASTENER PACK	2
1	1047-3P	RECTANGULAR POCKET MOUNT - LARGE	1
ITEM NO.	PAC P/N	PART NAME	QTY.

NOTES:

**PERFORMANCE
ADVANTAGE
COMPANY**



TOLERANCES UNLESS OTHERWISE SPECIFIED

.X= ±.03
.XX= ±.010
.XXX= ±.005
.XXXX= ±0.0005
ANGLES ±0.5 °
FRACTIONAL ±1/64

THIRD ANGLE PROJECTION



COLOR

NAME	DATE
DRAWN BY	
APPR. BY	
MFG BY	
MFG. P/N	
ENG APPR.	
MATERIAL	
ALT. MATERIAL	
FINISH	

THE INFORMATION CONTAINED IN THIS DRAWING IS THE SOLE PROPERTY OF PERFORMANCE ADVANTAGE CO. ANY REPRODUCTION IN PART OR AS A WHOLE WITHOUT THE WRITTEN PERMISSION OF PERFORMANCE ADVANTAGE CO. IS PROHIBITED.

TITLE:

**RECTANGULAR
POCKET - LARGE**

PART NUMBER

1047-3

REV

SCALE: 1:3

SHEET 1 OF 1