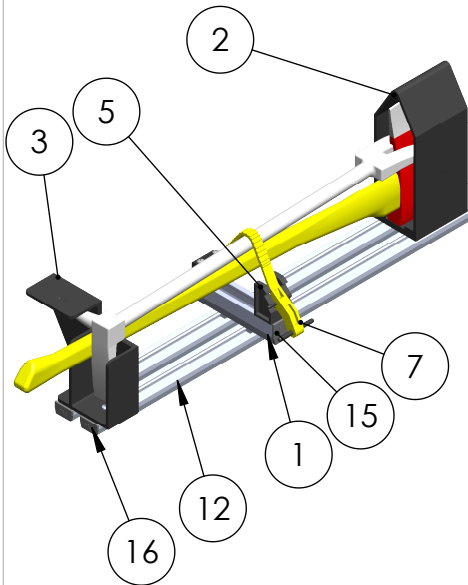
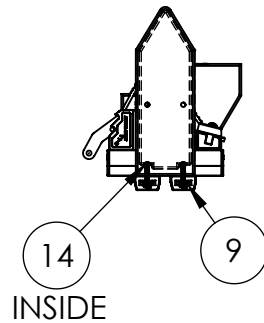
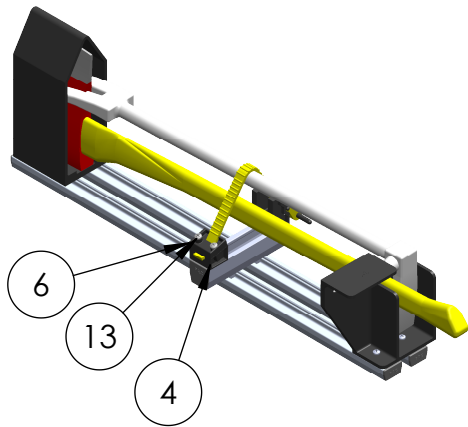
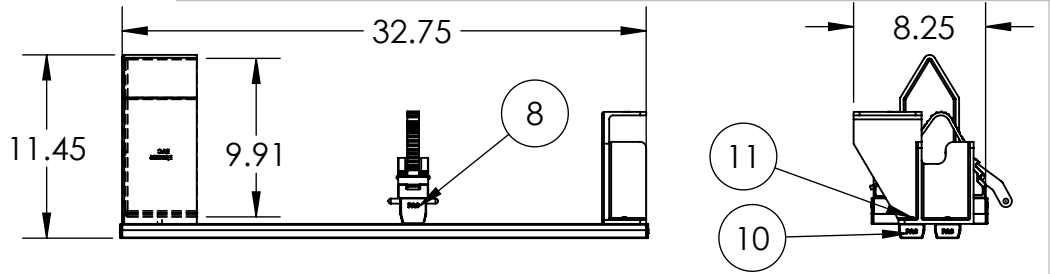


REV	DESCRIPTION	DATE	APPR
A	ADDED END CAPS	9-3-19	



16	2019EC	END CAP PAC STRUT	4	
15	2020EC	END CAP PAC STRUT HD	2	
14	3000	14-20 X 1-1/8 PHIL PANHEAD	2	
13	3017	14-20 X 1 PHIL PANHEAD	4	
12	2019-32.75	PAC STRUT	2	A
11	2098	14-20 X 3/4 PHIL PANHEAD	4	
10	2023	1/4-20 CHANNEL NUT	2	
9	2023	1/4-20 CHANNEL NUT	4	
8	2018	1/4-20 CHANNEL NUT	2	
7	2008 Y	LOCK STRAP	1	
6	2003	CLAMP TOP MODULE	1	
5	2005	LOCK END MODULE	1	A
4	2004	CLAMP END MODULE	1	A
3	5027	IRONSLOK HANDLE END	1	
2	5026	IRONSLOK BLADE END	1	
1			1	
ITEM NO.	PAC P/N	PART NAME	QTY.	REV

**NOTES:**

VERSIONS:  
P/N K5003 YELLOW STRAP  
P/N K5003-B BLACK STRAP  
P/N K5003-OR ORANGE STRAP

**P**ERFORMANCE  
**A**DVANTAGE  
**C**OMPANY



**TOLERANCES UNLESS OTHERWISE SPECIFIED**

.X= ±.03  
.XX= ±.010  
.XXX= ±.005  
.XXXX= ±0.0005  
ANGLES ±0.5 °  
FRACTIONAL ±1/64

THIRD ANGLE PROJECTION



COLOR

NAME	DATE
DRAWN BY	
APPR. BY	
MFG BY	
MFG. P/N	
ENG APPR.	
MATERIAL	
ALT. MATERIAL	
FINISH	

THE INFORMATION CONTAINED IN THIS DRAWING IS THE SOLE PROPERTY OF **PERFORMANCE ADVANTAGE CO.** ANY REPRODUCTION IN PART OR AS A WHOLE WITHOUT THE WRITTEN PERMISSION OF PERFORMANCE ADVANTAGE CO. IS PROHIBITED.

**TITLE:**

**IRONSLOK ASSEMBLY  
STD. YELLOW STRAP**

<b>PART NUMBER</b> K5003	REV A
-----------------------------	----------

SCALE: 1:12

SHEET 1 OF 4