



PRODUCT DATA SHEET

P/N: 1004 HANDLELOK



The Handlelok provides an adjustable positive locking method to secure axes, hammers, bars and many other tools and equipment. The STRETCHLOK strap allows instant release.

FEATURES

- Rugged injection molded components made from high quality materials
- High performance elastomer strap is rated to 5400psi
- Soft textured pad for extra grip.
- Additional strap pivot hole for oversized items.
- Weather, UV resistant
- Non-conductive
- Can be mounted horizontally or vertically
- Slide-stopping lip edge holds poles in place while securing
- Stainless Steel Fasteners provided
- Mounts to PAC tool boards and other flat surfaces
- Strap available in Yellow, Black and Orange

SPECIFICATIONS

P/N	WT.	MAX LOAD	GRIP RANGE	FLAME TOXICITY CHEMICAL
1004	.4lbs	N/A	1.75"	N/A

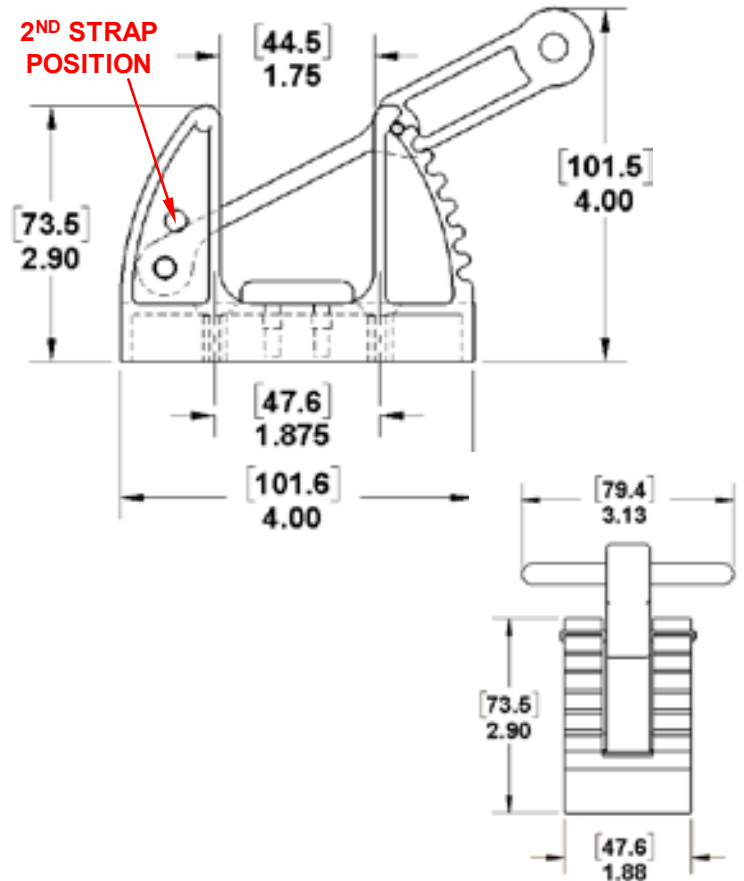


TYPICAL SPECIFICATION

Mounting bracket shall be PAC PN 1004.

Bracket shall be made from tough, corrosion free material. Hardware shall be stainless steel.

Users shall be protected from conductivity.



Dimensions: 3.9" L x 1.8" W x 4.0" H

Performance Advantage Company

Lancaster, New York

www.pactoolmounts.com

888-514-0083

REFERENCE	QTY	REMARKS	PROJECT
			LOCATION
			BUYER
			DEALER
			BUILDER
			SUBMITTED BY: DATE:



The Handlelok provides an adjustable positive locking method to secure axes, hammers, bars and many other tools and equipment. The STRETCHLOK strap allows instant release.

- **Now with 2 pivot positions!**
- Molded from high quality materials
- Soft textured pad for extra grip.
- Weather, UV resistant
- Non-conductive
- Can be mounted horizontally or vertically

