



TOOLOK HD - P/N 1003 HD

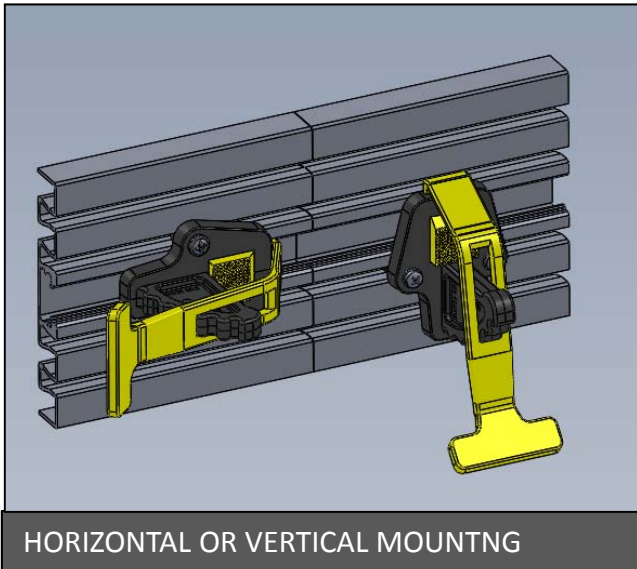
INSTALLATION INSTRUCTIONS





For additional assistance call 888-514-0083 between 8AM-5PM EST or email: info@pactoolmounts.com

CAUTION

To avoid the risk of personal injury, property damage or product damage, please use the included fasteners for mounting.

- * The bracket must be securely mounted to a stable surface and material.
- * When mounting bracket to PAC aluminum extrusion products **P/N 7000**, **P/N 7020**, **P/N 7040**, **P/N 7050** with the included Trac Lok inserts **P/N 7016**, torque the screws to a maximum 15 in-lbs.



MTG. HARDWARE			QTY
	P/N 2046	#10-24 x 1 S.S. Pan Head Screw	2
	P/N 7016	Trac Lok Insert	2
	P/N 3017	¼-20 x 1 S.S. Pan Head Screw	2
	P/N 2069LN	¼-20 Nylon Locking Nut	2

 Additional fasteners for mounting to Uni-Strut style channels are also available and sold separately.

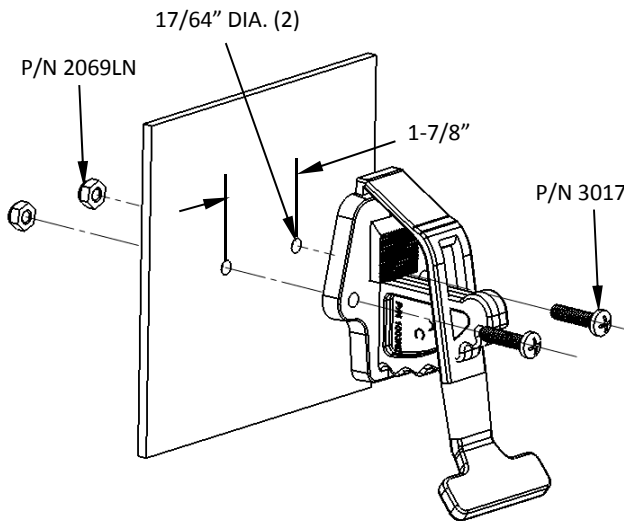


FIGURE 1
(Thru Mounting Method)

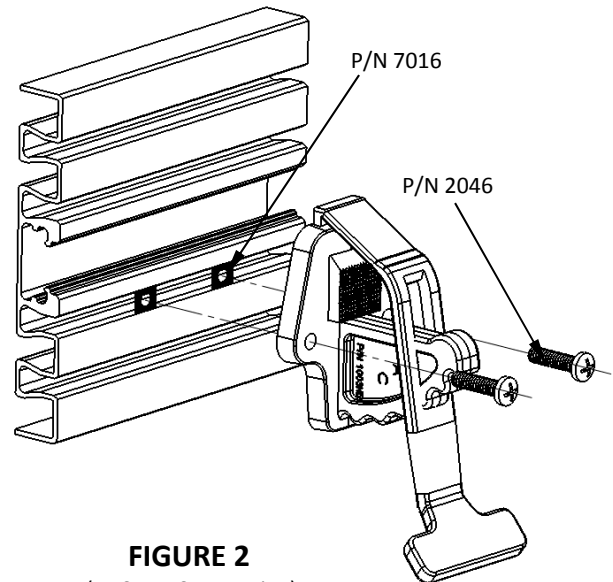


FIGURE 2
(PAC TRAC Mounting)