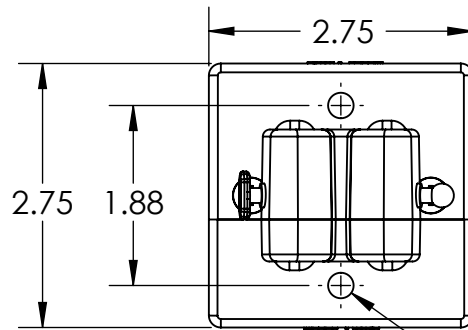
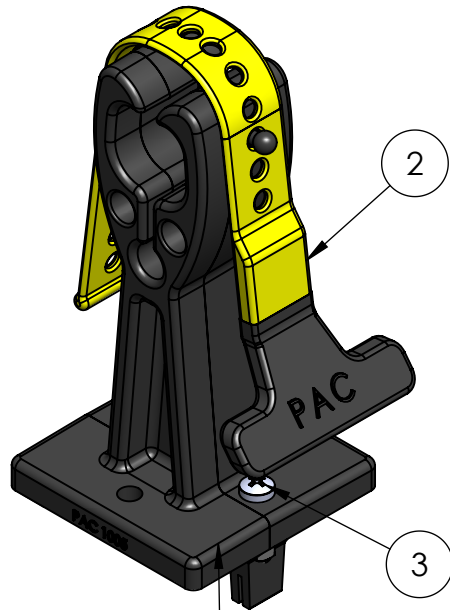
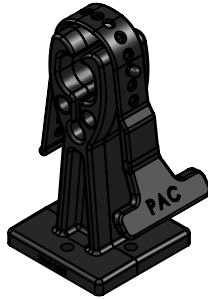
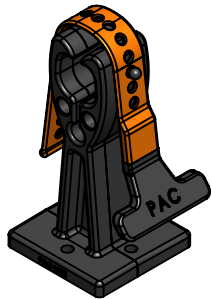
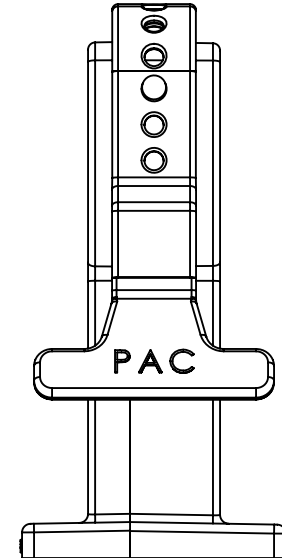
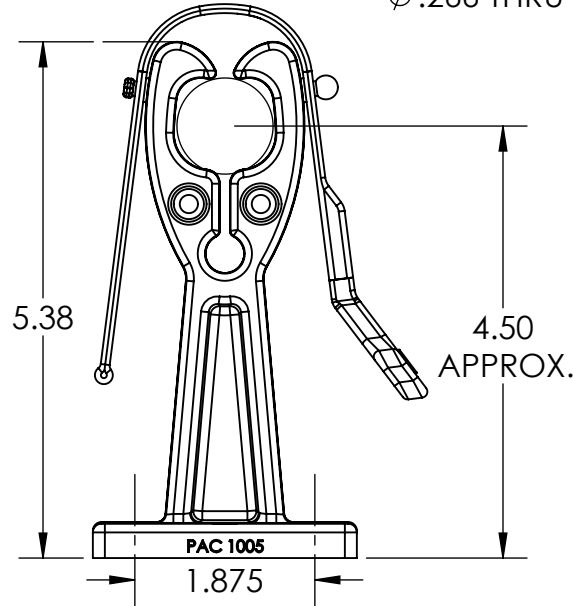


REV	DESCRIPTION	DATE	APPR



Ø .266 THRU (4)



P/N 1005-OR

P/N 1005-B

ITEM NO.	PAC P/N	PART NAME	QTY
3	7028	FASTENER KIT	1
2	4016	UNIVERSAL STRAP	1
1	1005P	STOW-N-LOK BASE BRACKET	1

NOTES:

GRIP RANGE: 1"-1-1/2"

- P/N 1005 - YELLOW STRAP
- P/N 1005-OR - ORANGE STRAP
- P/N 1005-B - BLACK STRAP

**PERFORMANCE
ADVANTAGE
COMPANY**



TOLERANCES UNLESS OTHERWISE SPECIFIED

- .X = ± .03
- .XX = ± .010
- .XXX = ± .005
- .XXXX = ± 0.0005
- ANGLES ± 0.5 °
- FRACTIONAL ± 1/64

THIRD ANGLE PROJECTION



COLOR

	NAME	DATE
DRAWN BY		
APPR. BY		
MFG BY		
MFG. P/N		
ENG APPR.		
MATERIAL		
ALT. MATERIAL		
FINISH		

THE INFORMATION CONTAINED IN THIS DRAWING IS THE SOLE PROPERTY OF PERFORMANCE ADVANTAGE CO. ANY REPRODUCTION IN PART OR AS A WHOLE WITHOUT THE WRITTEN PERMISSION OF PERFORMANCE ADVANTAGE CO. IS PROHIBITED.

TITLE:

STOW-N-LOK BRACKET

PART NUMBER

1005

REV

SCALE: 1:2

SHEET 1 OF 4