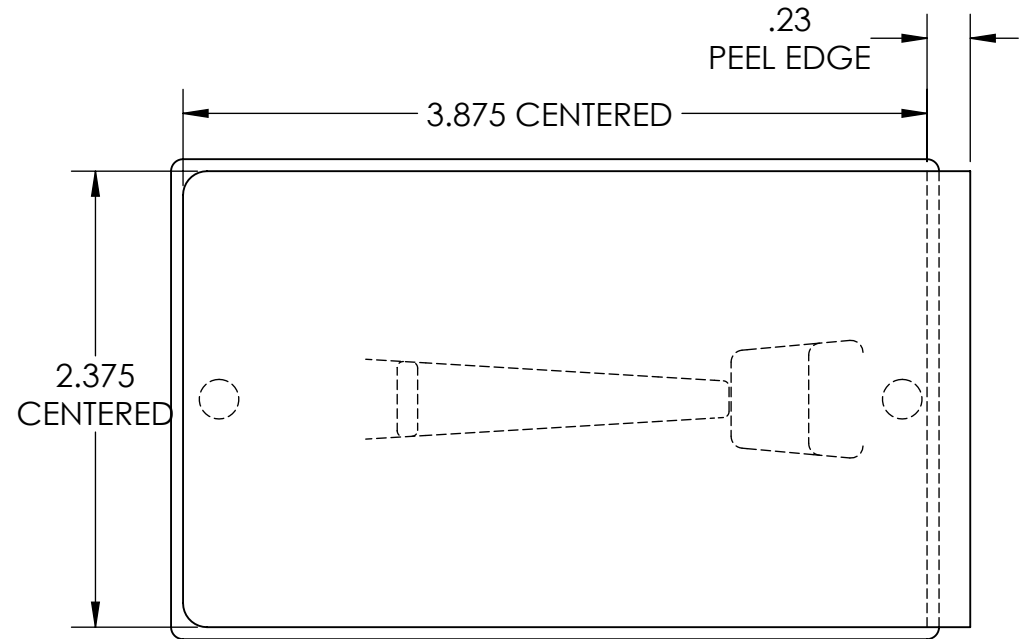
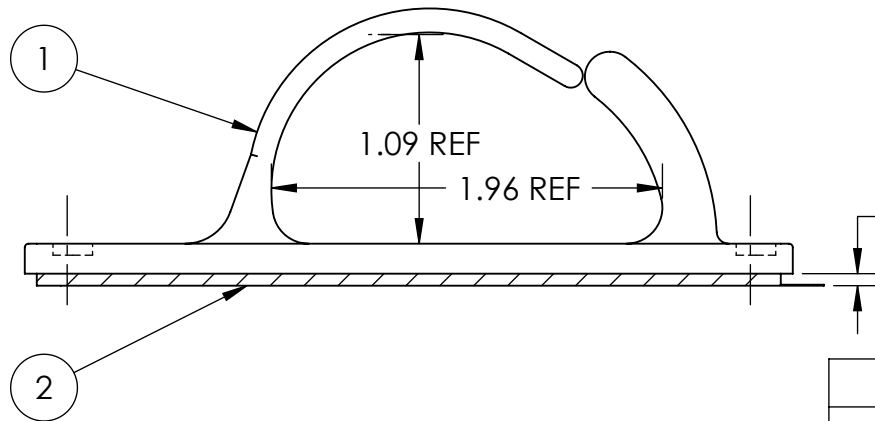


REV	DESCRIPTION	DATE	APPR



BOTTOM



2	GMH-VHB	DIE CUT VHB TAPE		1
1	1028P	GM HOOK PART	BLACK	1
ITEM NO.	PAC P/N	PART NAME	Color	QTY

**NOTES:**



**P**ERFORMANCE  
**A**DVANTAGE  
**C**OMPANY



**TOLERANCES UNLESS OTHERWISE SPECIFIED**

.X= ± .03  
.XX= ± .010  
.XXX= ± .005  
.XXXX= ± 0.0005  
ANGLES ± 0.5 °  
FRACTIONAL ± 1/64

THIRD ANGLE PROJECTION



COLOR BLACK

	NAME	DATE
DRAWN BY	JPG	...
APPR. BY		
MFG BY		
MFG. P/N		
ENG APPR.		
MATERIAL		
ALT. MATERIAL		
FINISH		

THE INFORMATION CONTAINED IN THIS DRAWING IS THE SOLE PROPERTY OF PERFORMANCE ADVANTAGE CO. ANY REPRODUCTION IN PART OR AS A WHOLE WITHOUT THE WRITTEN PERMISSION OF PERFORMANCE ADVANTAGE CO. IS PROHIBITED.

**TITLE:**

**GM HOOK PART  
ADHESIVE BACKED**

<b>PART NUMBER</b>	REV
1028	

SCALE: 1:1

SHEET 1 OF 1