



4-1/2" CYLINDER POCKET P/N 1045-3 INSTALLATION INSTRUCTIONS

For additional assistance call 888-514-0083 between 8AM-5PM EST or email: info@pactoolmounts.com

CAUTION

To avoid the risk of personal injury, property damage or product damage, please use the included fasteners for mounting.

- * The bracket must be securely mounted to a stable surface and material.
- * When mounting bracket to PAC TRAC aluminum products **P/N 7000**, **P/N 7020**, **P/N 7040**, **P/N 7050** with the included Trac Lok inserts **P/N 7016**, torque the screws to a maximum 15 in-lbs.
- * PAC recommends regular and frequent inspections to be certain of proper operation and installation.

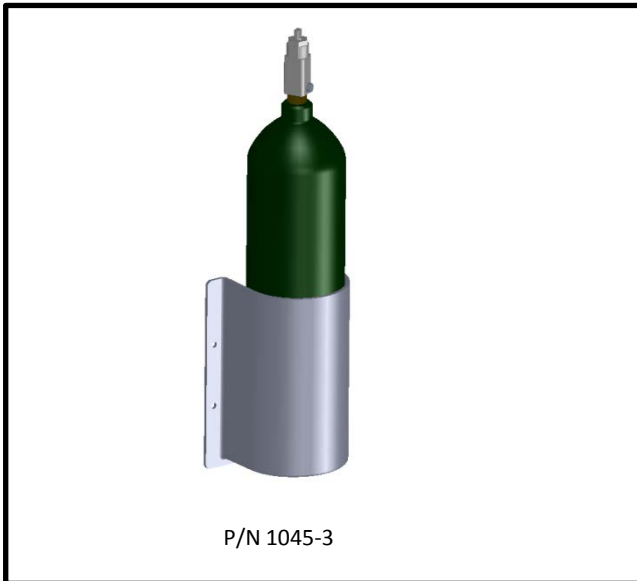
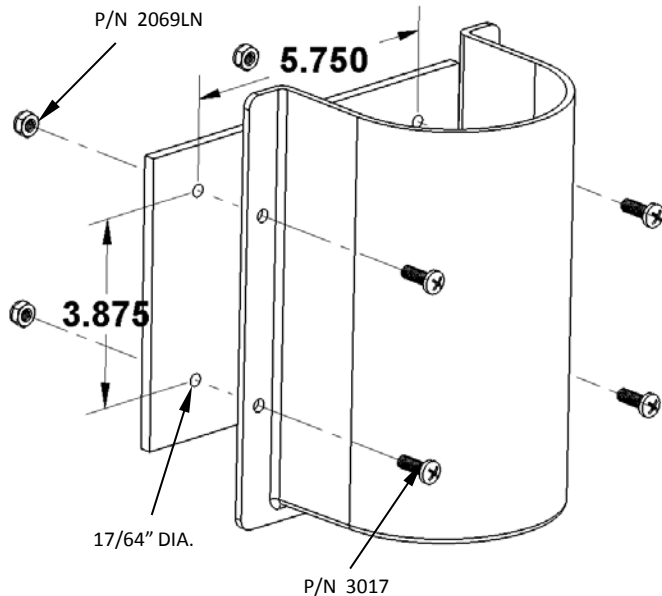


FIGURE 1

(Thru Mounting Method)







MTG. HARDWARE			QTY
	P/N 2049	#10-24 x 3/4 S.S. Pan Head Screw	4
	P/N 7016	Trac Lok Insert	4
	P/N 3017	1/4-20 x 1 S.S. Pan Head Screw	4
	P/N 2069LN	1/4-20 Nylon Locking Nut	4

FIGURE 2

(PAC TRAC Mounting)

