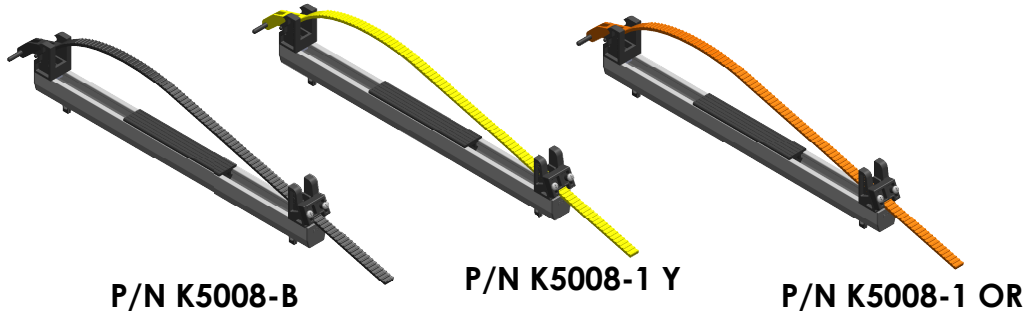


REV	DESCRIPTION	DATE	APPR
A	ADDED END CAPS	9/9/19	
B	UPDATED MODULE ASSEMBLIES	2/24/20	



8	1006-904	ADJ. LOCK END ASSEMBLY	1	A
7	1006-903	ADJUSTAMOUNT KIT	1	A
6	2020EC	END CAP PAC STRUT HD	2	
5	7029	FASTENER KIT-ADJUSTAMOUNT PT	1	
4	2035	FASTENER PACK	1	
3	2020-24	PAC STRUT HD	1	
2	1006-3	CHANNEL CUSHION	1	
1	2008-1	EXTENDED LOCK STRAP	1	
ITEM NO.	PAC P/N	PART NAME		REV

NOTES:

PERFORMANCE
ADVANTAGE
COMPANY



TOLERANCES UNLESS OTHERWISE SPECIFIED

.X= ±.03
.XX= ±.010
.XXX= ±.005
.XXXX= ±0.0005
ANGLES ±0.5 °
FRACTIONAL ±1/64

THIRD ANGLE PROJECTION



COLOR

NAME	DATE	THE INFORMATION CONTAINED IN THIS DRAWING IS THE SOLE PROPERTY OF PERFORMANCE ADVANTAGE CO. ANY REPRODUCTION IN PART OR AS A WHOLE WITHOUT THE WRITTEN PERMISSION OF PERFORMANCE ADVANTAGE CO. IS PROHIBITED.	
DRAWN BY		TITLE: ADJUSTAMOUNT HD LONG	
APPR. BY			
MFG BY		PART NUMBER K5006HDL	
MFG. P/N			
ENG APPR.		REV B	
MATERIAL			
ALT. MATERIAL		SCALE: 1:8	
FINISH			
		SHEET 1 OF 2	