



**PRODUCT DATA SHEET**

**P/N: K5006S**  
**ADJUSTAMOUNT KIT -SHORT**



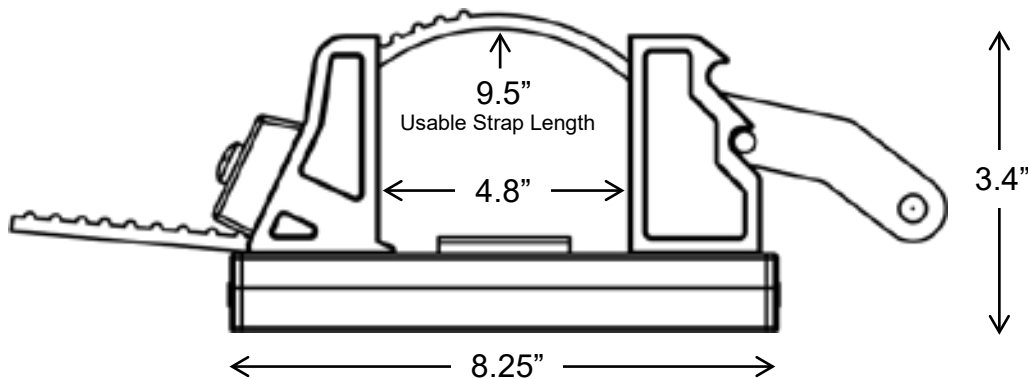
The Short Adjustamount Kit satisfies a wide range of tool mounting requirements and provide the most versatile and flexible solution for most every equipment application. Commonly combined with other PAC brackets to provide complete tool mounting solutions. Includes 1006 & 8" long section of 2019 (13/16" x 1-5/8") PAC Strut.

**TYPICAL SPECIFICATION**

Mounting bracket kit PAC PN K5006 shall have an adjustable strap and modules. Components shall be made from tough, corrosion free material. Hardware shall be stainless steel. Users shall be protected from conductivity.

**FEATURES**

- Components are molded from high quality materials
- Flexible mounting positions
- Weather, UV resistant
- Non-conductive
- Adjustable lock strap capable to 5400 PSI tensile strength
- 9.5" usable strap length
- Can be mounted horizontally or vertically
- Also available with Black Strut!



**SPECIFICATIONS**

P/N	WT.	MAX LOAD	GRIP RANGE	FLAME TOXICITY CHEMICAL
K5006S	1.8 lbs	N/A	ADJ	GOOD

DIMENSIONS: 8.25" L x 1.88" W x 3.4" H

Performance Advantage Company

Lancaster, New York

www.pactoolmounts.com

888-514-0083

REFERENCE	QTY	REMARKS	PROJECT
			LOCATION
			BUYER
			DEALER
			BUILDER
			SUBMITTED BY: DATE:



**The Short Adjustamount Kit satisfies a wide range of tool mounting requirements and provide the most versatile and flexible solution for most every equipment application. Commonly combined with other PAC brackets to provide complete tool mounting solutions. Includes 1006 & 8" long section of 2019 (13/16" x 1-5/8") PAC Strut.**

- Components are molded from high quality materials
- Flexible mounting positions
- Weather, UV resistant
- Non-conductive
- Adjustable lock strap capable to 5400 PSI tensile strength
- 9.5" usable strap length
- Can be mounted horizontally or vertically
  
- Also available with Black Strut!