



- ADJUSTAMOUNT KIT - STD P/N K5006
- ADJUSTAMOUNT KIT - SHORT P/N K5006S
- ADJUSTAMOUNT KIT - LONG P/N K5006L



## INSTALLATION INSTRUCTIONS



For additional assistance call 888-514-0083 between 8AM-5PM EST or email: info@pactoolmounts.com

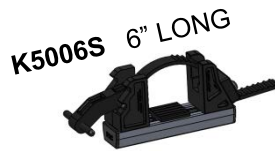
### CAUTION

To avoid the risk of personal injury, property damage or product damage, please use the included fasteners for mounting.

- \* The bracket must be securely mounted to a stable surface and material.
- \* When mounting bracket to PAC TRAC aluminum products **P/N 7000, P/N 7020, P/N 7040, P/N 7050** with the included Trac Lok inserts **P/N 7016**, torque the screws to a maximum 15 in-lbs.
- \* If using optional Channel Nuts **P/N 3023, P/N 3024** torque the screws to a maximum 25 in-lbs.
- \* PAC recommends regular and frequent inspections to be certain of proper operation and installation.

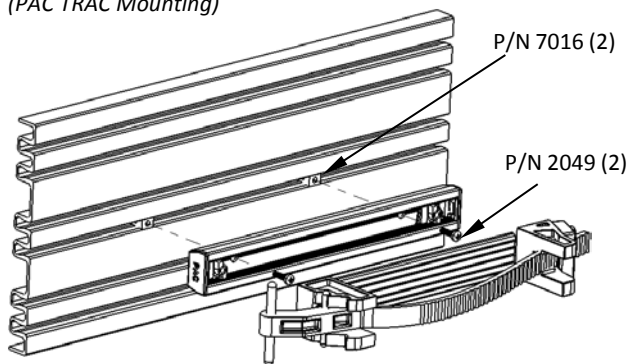
MTG. HARDWARE for PAC TRAC	QTY
 P/N 2049 #10-24 x 3/4 S.S. S.S. Pan Head Screw	2
 P/N 7016 Trac Lok Insert	2

STANDARD MTG. HARDWARE	QTY
 P/N 3017 1/4-20 x 1 S.S. S.S. Pan Head Screw	2
 P/N 2069LN 1/4-20 Nylon Locking Nut	2

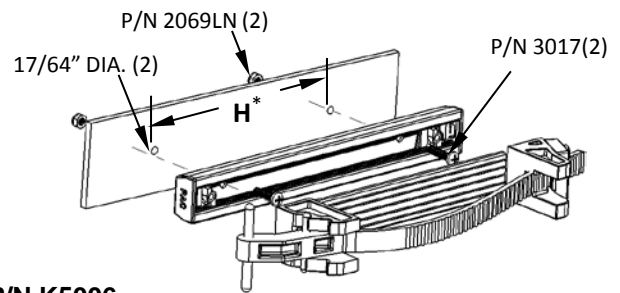


## Bracket Mounting

(PAC TRAC Mounting)



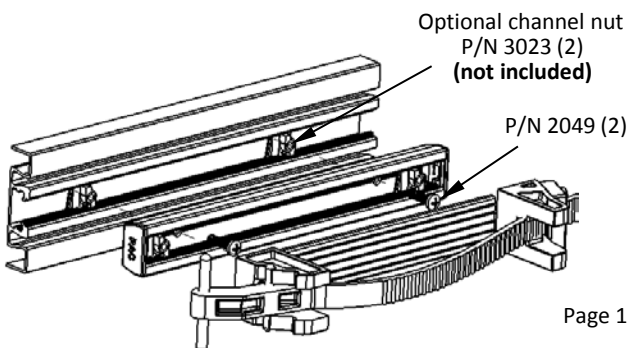
(Thru Mounting Method)



**P/N K5006**

**H = HOLE SPACING**  
**P/N K5006S H=1.875"**  
**P/N K5006 H=8"**  
**P/N K5006L H=20"**

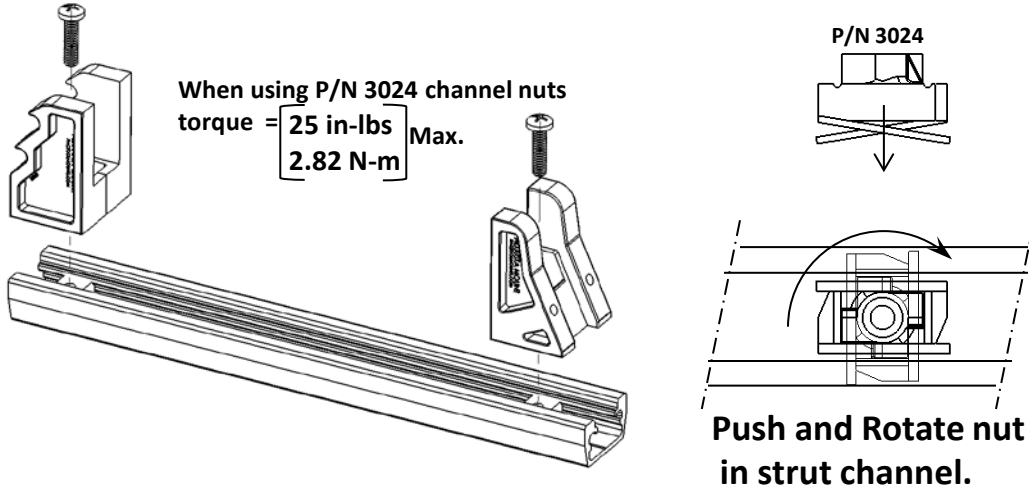
❖ Additional holes may be required to suit application and avoid interference with channel nuts.



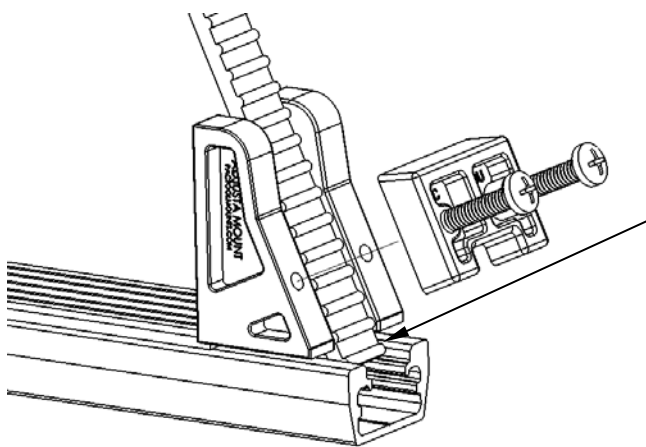
**P/N K5008**

## Bracket Adjustment

To adjust the module position, remove and reposition the channel nuts as shown.

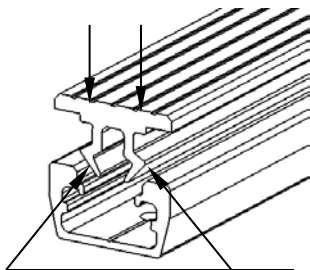


To set strap length, loosen clamp screws and adjust to suit application.



**Excess strap length may be cut after  
final adjustments have been  
performed.**

To insert channel cushion, center over strut and press in. Lubricate with a soap & water solution underside of channel cushion to assist in assembly.



**APPLY SOAP AND WATER SOLUTION TO THESE AREAS TO  
FACILITATE INSTALLATION!**