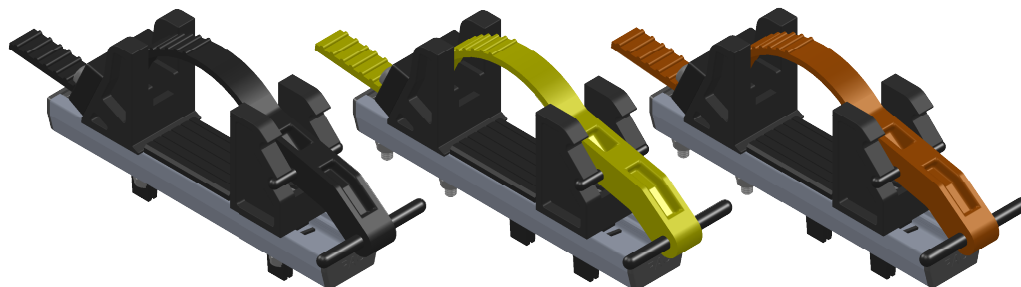
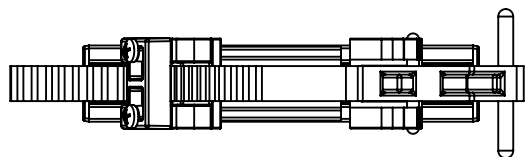


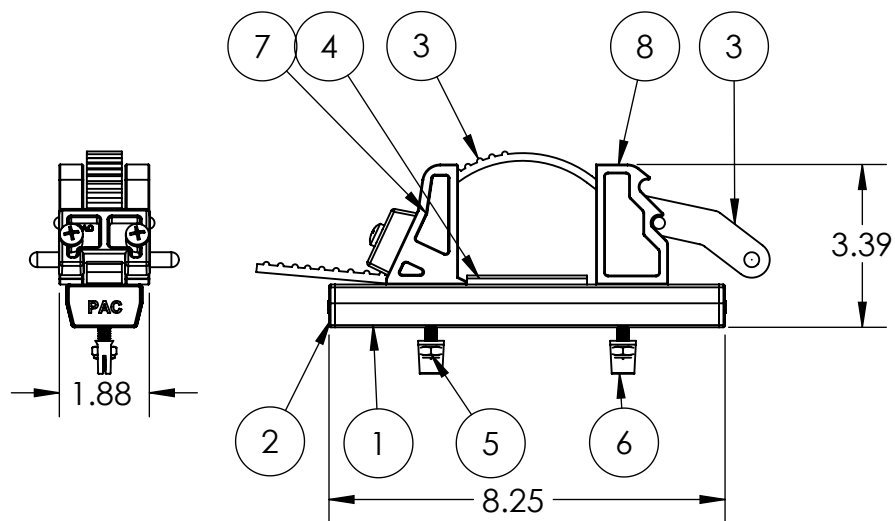
REV	DESCRIPTION	DATE	APPR
A	2019P WAS 6" LG	9/17/21	



P/N K5006S-B

P/N K5006S-Y

P/N K5006S-OR



8	1006-908	ADJ LOCK END ASSEMBLY	1	A
7	1006-907	ADJ CLAMP END ASSEMBLY	1	A
6	7029	FASTENER KIT-ADJUSTAMOUNT PT	1	
5	2035	FASTENER PACK	1	
4	8006-2	CHANNEL CUSHION 2-1/2" LG	1	
3	2008	LOCK STRAP	1	
2	2019EC	END CAP PAC STRUT	2	
1	2019P (8")	8" LG PAC STRUT	1	
ITEM NO.	PAC P/N	PART NAME	QTY.	REV

**NOTES:**

**P**ERFORMANCE  
**A**DVANTAGE  
**C**OMPANY



**TOLERANCES UNLESS OTHERWISE SPECIFIED**

.X= ±.03  
.XX= ±.010  
.XXX= ±.005  
.XXXX= ±0.0005  
ANGLES ±0.5°  
FRACTIONAL ±1/64

THIRD ANGLE PROJECTION



COLOR

	NAME	DATE
DRAWN BY	JPG	12-20-19
APPR. BY		
MFG BY		
MFG. P/N		
ENG APPR.		
MATERIAL		
ALT. MATERIAL		
FINISH		

THE INFORMATION CONTAINED IN THIS DRAWING IS THE SOLE PROPERTY OF PERFORMANCE ADVANTAGE CO. ANY REPRODUCTION IN PART OR AS A WHOLE WITHOUT THE WRITTEN PERMISSION OF PERFORMANCE ADVANTAGE CO. IS PROHIBITED.

**TITLE:**

**ADJUSTAMOUNT KIT  
SHORT**

**PART NUMBER  
K5006S**

REV  
**A**

**SCALE: 1:4**