

mpower® WINDOW SHROUD KIT

PMP1WSSSB: 3" SINGLE ASSEMBLY - BLACK

PMP1WSDDDB: 3" DUAL ASSEMBLY - BLACK

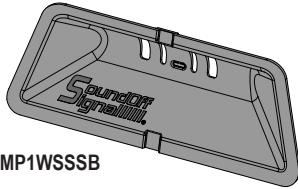
PMP2WSSSB: 4" SINGLE ASSEMBLY - BLACK

PMP2WSDDDB: 4" DUAL ASSEMBLY - BLACK

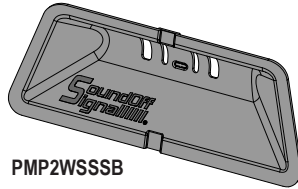
PMPSAWSSSB: 4X2 SINGLE ASSEMBLY - BLACK

PMPSAWSDDDB: 4X2 DUAL ASSEMBLY - BLACK

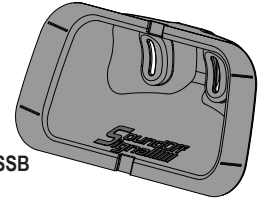
PMP1WSS2B: 3" SINGLE NARROW ASSEMBLY - BLACK



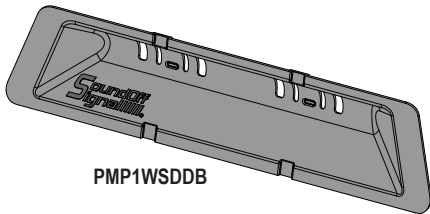
PMP1WSSSB



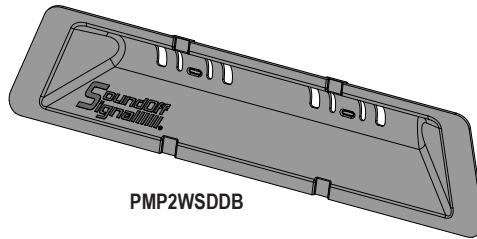
PMP2WSSSB



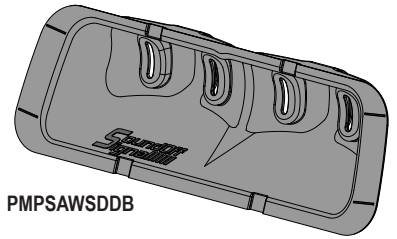
PMPSAWSSSB



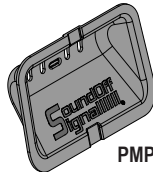
PMP1WSDDDB



PMP2WSDDDB



PMPSAWSDDDB



PMP1WSS2B

⚠ WARNING ⚠

- HIGH CURRENT interconnects must be properly terminated. Poor crimp quality can cause heat build-up and fire. Follow crimp connector manufacturer instructions.
- DO NOT install this product or route any wires in the Air Bag Deployment Zone. Refer to vehicle Owner's Manual for deployment zones.
- Do NOT use system to disconnect headlights, brake lights or other safety equipment.
- Unit may become hot to touch during normal operation.
- Failure to properly install connectors, fuses or wiring may cause vehicle failure or fire.
- Installation must only be performed by trained technician. Installer must determine vehicle wiring configuration and proper integration of system.
- Use proper wire gauge. All power wires connecting to positive (+) or negative (-) battery terminal or local chassis ground (-) must be sized to supply at least 125% of max. current and properly fused at power source.
- Install protective grommets when routing wire through firewall or metal.

INSTALLATION INSTRUCTIONS 2

INSTALLATION IMAGES 2



mpower® product page



NOTICE:

Installers and users must comply with all applicable federal, state and local laws regarding use and installation of warning devices. Improper use or installation may void warranty coverage. To review our Limited Warranty Statement & Return Policy for this or any SoundOff Signal product, visit our website at www.soundoffsignal.com/tech-services/returns/. If you have questions regarding this product, contact **Technical Services**, Monday - Friday, 8 a.m. to 5 p.m. ET at **1.800.338.7337** (press #4). Questions or comments that do not require immediate attention may be emailed to techservices@soundoffsignal.com.



1.800.338.7337 / www.soundoffsignal.com

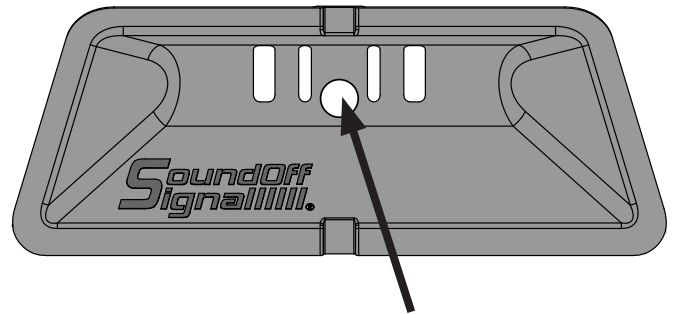
ENHANCING SAFETY THROUGH INNOVATION

PMP(x)WSSS(x)_WINDOW SHROUD 0522 REV B

INSTALLATION:

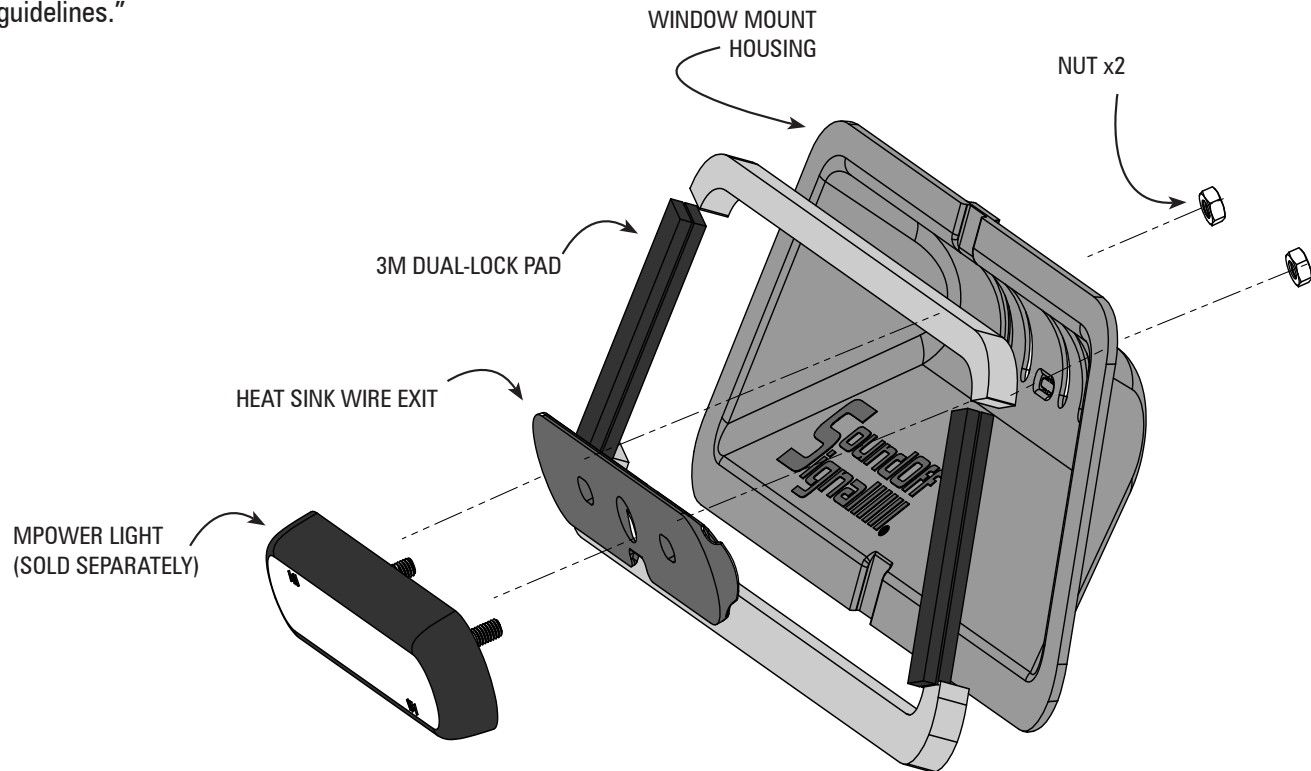
1. Insert the light through the heat sink exiting the wires through one of following:
 - Housing top wire exit (orient heat sink with wire exit up). Wire lays on top of foam.
 - Housing center knock-out (orient heat sink up or down, pending desired angle of light). Use a punch to knock out tab.
 - Housing bottom wire exit (orient heat sink wire exit down). Wire lays on top of foam. Loosely secure the two lock nuts.
2. Prepare the mount surfaces (2 surfaces of the shroud & glass surface of the vehicle) with a 50% water, 50% isopropyl alcohol mix and allow to air dry.*
3. Remove a single backer from 3M dual-lock pad and place on housing as shown. Press firmly down and hold for 10-15 seconds to set. Repeat for second side.
4. Remove backers from installed 3M dual-lock pads. Align housing to desired glass position and press firmly down and hold for 10-15 seconds to set.
5. Adjust light to desired exit angle and tighten two nuts.
6. Connect wires to vehicle per the lights instructions.

Part#	Description	Foot Print
PMP1WSS2B	3" NARROW ASSEMBLY BLACK	4.5"
PMP1WSSSB	3" SINGLE ASSEMBLY BLACK	8"
PMP2WSSSB	4" SINGLE ASSEMBLY BLACK	8"
PMP1WSDDB	3" DUAL ASSEMBLY BLACK	13 1/4"
PMP2WSDDB	4" DUAL ASSEMBLY BLACK	13 1/4"
PMPSAWSSSB	4x2 SINGLE SHROUD BLACK	7"
PMPSAWSDDB	4x2 DUAL SHROUD BLACK	11"



NOTE: IF NEEDED, OPEN WIRE EXIT HOLE FOR 5-WIRE LIGHT. FOR 3-WIRE JST CONNECTOR, DRILL A 1/2" HOLE TO ALLOW PASSTHROUGH OF CONNECTOR

*In humid climates or for better adhesion to window tint, we recommend using 3M AP115 Silane Glass Treatment for preparation, following the water/isopropyl mix. Additionally, window tint must be fully cured and dried before installation. For drying time, please follow the tint manufacturers' guidelines."



PMP1WSSSB/PMP2WSSSB SHOWN ABOVE
(HEAT SINK WILL VARY BETWEEN THESE PARTS)