

Operating Instructions

Series S Spring Driven Hose Reels

Low Pressure Model Numbers:

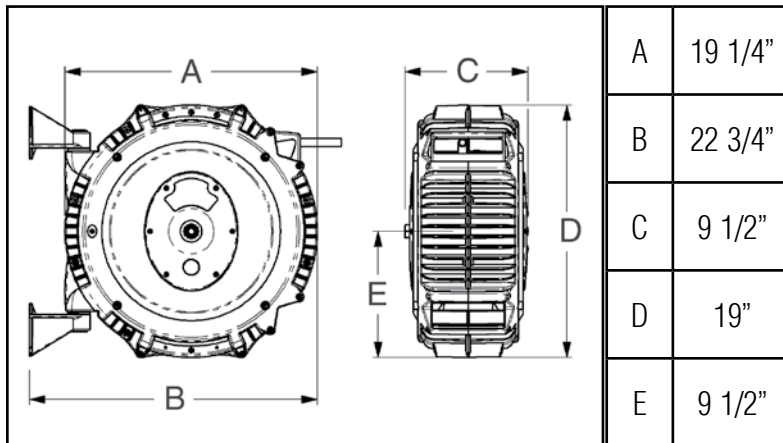
[SGA3650 OLP](#) [SWA3850 OLP](#) [SCA3850 OLP](#)

[SGA3665 OLP](#) [SHA3850 OLP](#)

[SGA3850 OLP](#) [SCA3650 OLP](#)



Dimensions



IMPORTANT

Read this manual carefully before installing, operating or servicing this equipment.

SAFETY

Personal injury and/or equipment damage may result if proper safety precautions are not observed.

- Ensure that reel is properly installed before connecting input and output hoses.
- Bleed fluid/gas pressure from system before servicing reel.
- Before connecting reel to supply line, ensure that pressure does not exceed maximum working pressure rating of reel.
- Remember, even low pressure is very dangerous and can cause personal injury or death.
- Be aware of machinery and personnel in work area.
- If a leak occurs in the hose or reel, remove system pressure immediately.
- A high tension spring assembly is contained within the reel. Exercise extreme caution.
- Pull hose from reel by grasping the hose itself, not the control valve.
- Ensure that reel, hose, and equipment being serviced are properly grounded. Use an ohmmeter to check ground continuity.
- If reel ceases to unwind or rewind, remove system pressure immediately. Do not pull or jerk on hose!
- Treat and respect the hose reel as any other piece of machinery, observing all common safety practices.

Form# 1162-1004 Rev: 10/2018

INSTALLATION INSTRUCTIONS

INSTALLING THE INPUT HOSE(S)

A flexible connection between the reel and the source of supply is required to prevent possible misalignment and binding. Non-flexible connections will void the warranty. The pressure rating of the inlet hose must be equal to or greater than the rating of the reel.

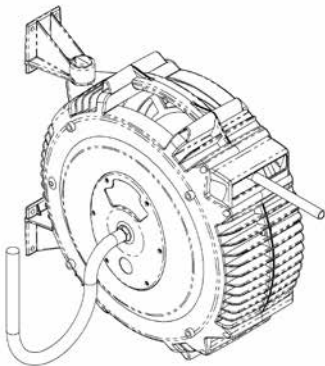
Using the appropriate approved hose and fittings connect the supply line to the inlet connection of the reel.

Ensure you use thread sealants where applicable and permitted.

Never over-tighten or under-tighten fittings.

Once connection has been made to the inlet of the reel ensure you make or fit a connection to the outlet of the reel (the main hose) then turn the supply valve on slowly and check for leaks.

Note: Please refer to your local authority for rules and regulations on the safe use of compressed liquids, gases and fuel gases.



HOW TO MOUNT THE REEL

The hose reels are fitted with an all position locking system, which allows the reel to operate in all positions. The reel is supplied as standard with a mounting system and brackets that allow ceiling mounting or wall mounting - an optional

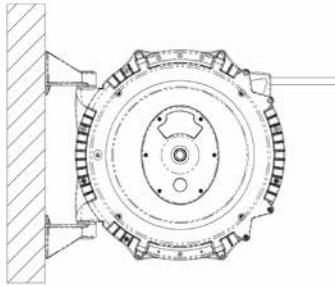
floor or under bench mount can be purchased for other mounting positions.

The optimum height for wall mounting is such that it allows the hose or cable to be pulled at an upward or a downward angle of no more than approximately 15° - angles exceeding this can create undue drag in operation and potentially cause premature wear to the mouth opening of the reel.

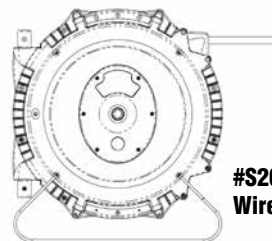
For wall mounting where heights above 9 feet are required we suggest the use of the swivel mounting optional floor bracket.

Bolt the bracket to the wall and fix the reel in position as you would for ceiling mounting.

Typical mounting

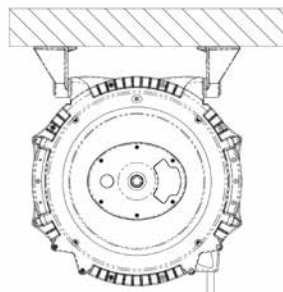


Fixed floor mount



#S261398
Wire frame stand

Ceiling mount



NOTE: The orientation of the wall brackets is important. Please follow drawings.

HOW TO USE THE REEL

Once you have mounted your reel and made the inlet connection you are ready for operation. In order to familiarize yourself with the function of the reel stand as close as possible to the reel, pulling the hose slowly out you will note a clicking noise. This is the locking pawl running over the locking teeth or ratchet teeth.

As soon as you hear this noise stop pulling and allow the hose to retract a little and it will lock in position. If it won't lock allow the hose to retract back further then pull it again slowly until you hear the first one or two clicks stop pulling and allow the hose to retract a small amount and it will lock.

Now pull it out some more until you here the next set of clicks and repeat the locking process. The hose will lock about every 3 feet or 1 meter increments but only after you have been pulling it with an outward movement. The locking system is designed so that the hose will never lock when rewinding the hose.

Once you are familiar with the system you won't need to listen for the locking clicks, as you will automatically know when and where it will lock.

Never let the hose fly back uncontrolled this can cause damage to property or person.

Always keep a firm hold of the hose as it is retracting back into the reel.

To rewind the hose pull it out about 1ft or 300mm and then allow it to retract back while holding the hose. If you want to stop the rewinding and lock it in position again, pull some hose out until you hear the clicking and allow it to retract a little locking the hose in position.

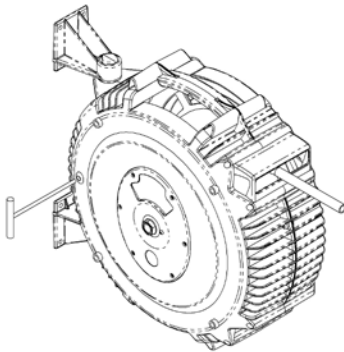
MAINTENANCE & REPAIR

INSERTING THE LOCKING PIN SERVICE TOOL

In the interest of safety we have designed and constructed a special service tool, a locking pin that when inserted through the outer cases it locks the drum from being able to rotate when carrying out service work.

We recommend that this tool be used to prevent damage to the reel or the service person.

By simply rotating the drum, pulling the hose slowly and looking into the service pinhole shown below you will see the line up holes; insert the pin right through the reel so that it protrudes out the opposite side.



CHECKING FOR LEAKS

Like all moving and rotating components there is a need to make regular maintenance checks. Some of these checks are very simplistic and only require a visual inspection others require service work to be carried out on items such as seals and O-rings.

For O-ring and seal servicing refer to "Service or replace O-rings and seals" further in the manual.

A soapy water test is the most simplistic. Soapy water brushed around each joint will soon indicate a leak when bubbles appear.

SERVICE OR REPLACE O-RINGS AND SEALS

As with normal and scheduled maintenance checks, O-rings and seals will need to be serviced or replaced from time to time. The task of replacing the O-rings and seals is quite simple and should only take a few minutes following the procedure below.

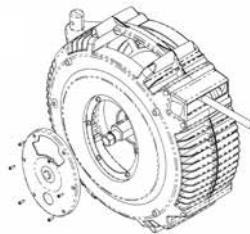
Pull the hose all the way out of the reel and using the service locking tool described in "Inserting the locking pin service tool" fix the service tool in position. This locks the reel and makes it safe to carry out repairs.

Note: Never open the tension side plate or adjust tension with the hose fully or partially extended. All the hose must be fully wound onto the reel.

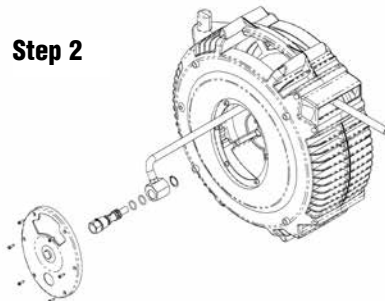
Disconnect the inlet supply from the inlet fitting on the reel. Remove the six self-tapping screws in the inlet side plate. Remove the side plate and the swivel. At the axle end of the swivel, remove the circlip (snap ring) and slide the swivel sleeve off the swivel shaft.

This will expose the O-rings and seals - remove these with an appropriate tool.

Step 1



Step 2



Note: Do not score or scratch the O-ring, seal or sealing surfaces.

Replace the O-rings and seals and apply an appropriate lubricant.

Note: Use only Reelcraft original seals and O-rings, failure to do so will void warranty.

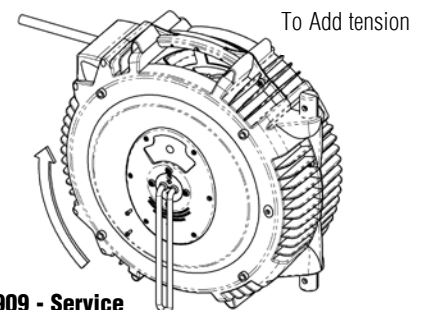
Re-assemble the swivel and refit into position, replace the self-tapping screws, holding the hose. Remove the service tool and rewind the hose. Reconnect the inlet supply and check for leaks. Refer to "Checking for leaks" earlier in the manual.

HOW TO ADD OR REMOVE TENSION

Note: Never add or remove tension when the hose is extended from the reel. The hose must always be fully wound on the hose reel.

Add tension - turn clockwise

Remove tension - turn counter-clockwise



261909 - Service Tensioning Tool

With the hose fully recoiled in the reel remove the two most inner self-tapping screws locked on the tension ring. With a "C" spanner, or the tensioning service tool, rotate the cap clockwise one full turn. The tensioning cap is a ratchet system so you will note the clicking as you rotate the cap. Always have the screws vertical when finished, this way you will always know you have a full turn.

Whenever adding tension only add one full turn at a time.

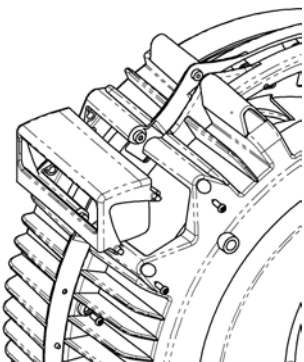
Before replacing the screws pull the hose out - check to ensure that all the hose comes out. If you cannot pull the hose all the way out and there are remaining coils left on the reel this indicates that you have over-tensioned the spring or that the spring has run out of power and we suggest that you contact your service center.

REMOVE TENSION

Removing tension is done for one of two reasons, one that you over tensioned your hose reel and cannot pull all the hose out and the second is that you are replacing the spring drum. There should be no other reason to remove tension from the reel. If all is okay replace the two self-tapping screws to lock the cap in position.

REPLACE THE MOUTH GUARD

The reel has been designed with a replaceable mouth guard to prevent wear to the case of the reel. The amount of wear on the mouth guard is dependant on the amount of use. To replace this, pull some hose from the reel and lock it in position, remove the four fasteners as shown below, stretch the case open slightly to pop the mouth guard out. Remove the bumper stop and slide the mouth guard off and fit the new one in reverse order.



REPLACE SWIVELS, SLIP-RINGS AND O-RING SEALS

Pull the hose all the way out of the reel and using the service locking tool described in "Inserting the locking pin service tool" fix the service tool in position. This locks the reel and makes it safe to carry out repairs.

Note: Never open the tension side plate or adjust tension with the hose fully or partially extended. The hose must be fully retracted onto the reel (i.e. fully wound on the drum of the reel).

Disconnect the inlet supply from the inlet fitting on the reel. Remove the six self-tapping screws in the inlet side plate. Remove the side plate and the swivel. You will note that the hose is connected to the inner drum with a cable tie. Cut the cable tie but be careful not to cut the hose.

Once this is done it will allow you to pull the hose through the side plate cavity. Pull the hose out far enough to get free access. Remove the crimp clip or simply cut the hose off as close as possible to the hose barb.

Re-connect the hose to the barb of the swivel using a suitable clamp. Replace the swivel and refit the cable tie to hold the hose to the drum and refit the swivel and side plate. Re-connect the inlet supply and check for leaks. Remove the service tool while holding the main hose and allow the hose to retract.

REPLACE THE TENSION LOCKING SYSTEM

Note: Never open the tension side plate or adjust tension with the hose fully or partially extended. All of the hose must be fully retracted onto the reel (i.e. fully wound on the drum of the reel).

The first step is to remove tension from the reel. Using a "C" spanner or the service tool hold the center locking cap and

remove the four outer screws.

Note: There is tension on this cap and it will want to spin anti-clockwise so hold tightly.

Once the screws are removed allow the cap to unwind in a controlled manner, once the tension is released the cap will sit stationary. This has now released all the tension.

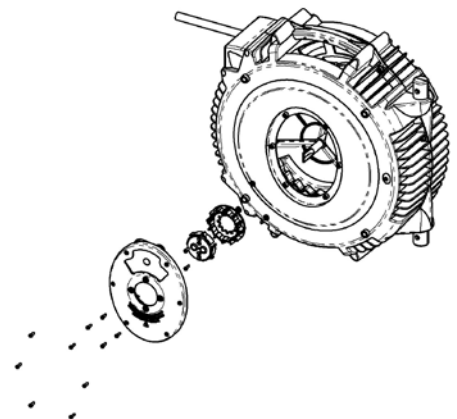
Remove the six self-tapping screws holding the tensions side plate.

Once you have removed the side plate check to see if there is any damage to the locking system/ratchet teeth located on the inner drum.

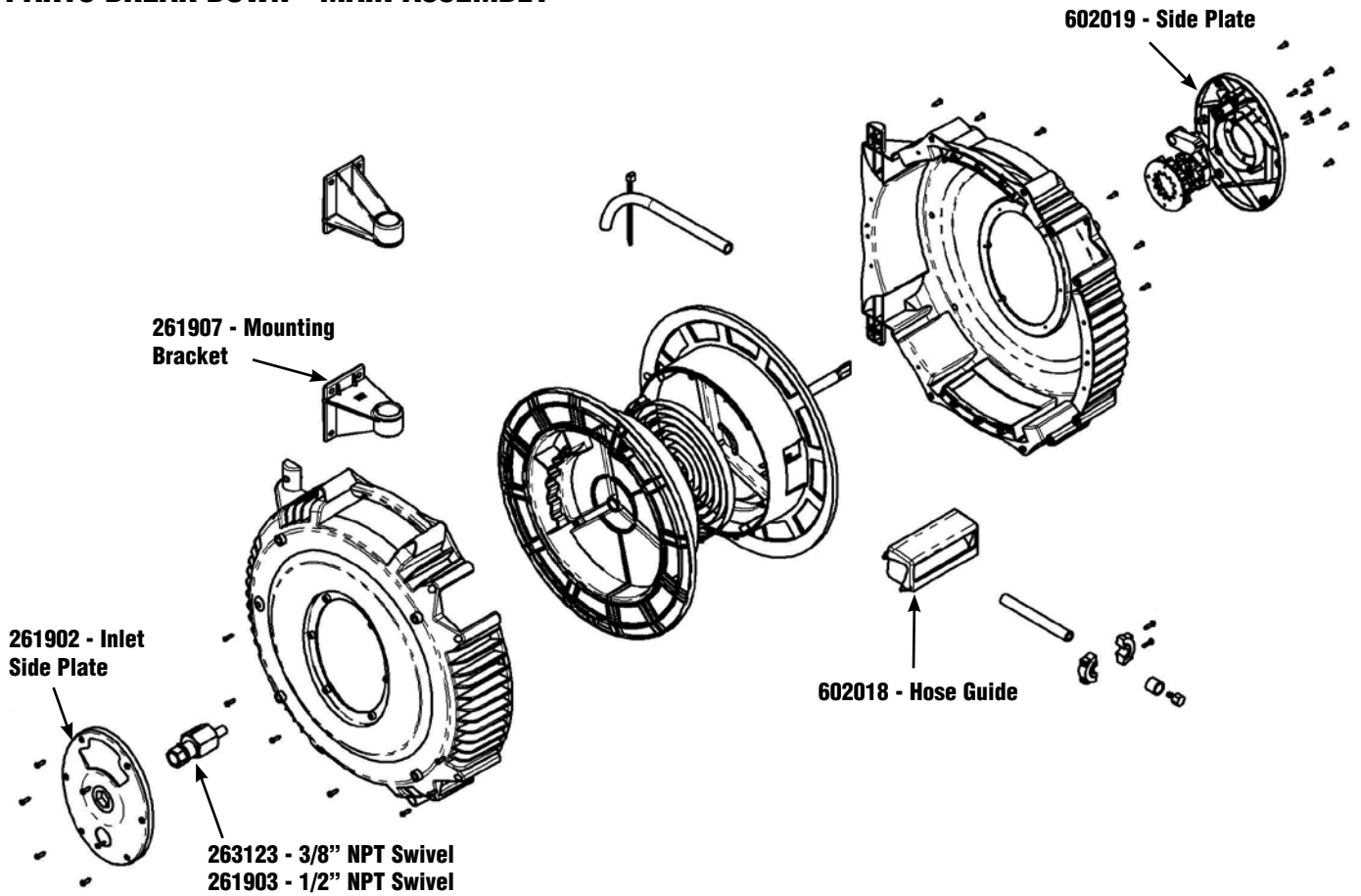
If the locking teeth/ratchet teeth are damaged or broken you will need to replace the inner drum spring canister.

If these are all okay without damage refit the new side plate assembly and follow the procedure for re-tensioning the reel in the previous section.

To add tension follow the steps from "How to add or remove tension". If you have removed all the tension and are re-tensioning add five full turns to start with and then one more at a time if necessary. Repeat the steps as described in "How to add or remove tension."



PARTS BREAK DOWN - MAIN ASSEMBLY



Note: Not all items are sold as individual parts - complex assemblies are sold in sub-assembly kit form. Use only Reelcraft original components failure to do so will void warranty.

Instrucciones de Operacion

Series S Carreteles para Mangueras

Baja presion modelos y numeros:

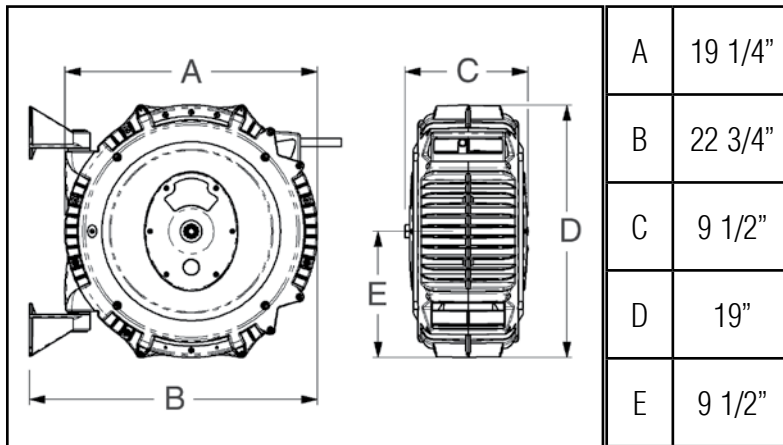
[SGA3650 OLP](#) [SWA3850 OLP](#) [SCA3850 OLP](#)

[SGA3665 OLP](#) [SHA3850 OLP](#)

[SGA3850 OLP](#) [SCA3650 OLP](#)



Dimensiones



IMPORTANTE

Lea este manual detenidamente antes de instalar, operar o dar servicio a este equipo.

Seguridad

Podrían ocurrir lesiones personales y/o daños en el equipo si no se siguen las instrucciones de seguridad adecuadas.

- Asegúrese de que el carretel esté instalado apropiadamente antes de conectar las mangueras de entrada y de salida.
- Purgue la presión de fluidos/gases del sistema antes de suministrar servicio al carretel.
- Antes de conectar el carretel a la línea de suministro, asegúrese de que la presión no exceda la clasificación máxima de la presión operativa del carretel.
- Recuerde que aún la presión baja es muy peligrosa y podría causar lesiones personales o la muerte.
- Esté atento y fíjese si hay maquinaria o personas en el área de trabajo.
- Si existe una fuga en la manguera o en el carretel, elimine inmediatamente la presión del sistema.
- Hay un ensamblaje de resorte de tensión alta en el interior del carretel. Sea extremadamente precavido.
- Jale la manguera del carretel sujetando la manguera, y no la válvula de control.
- Si el carretel deja de desenrollarse o enrollarse, elimine inmediatamente la presión del sistema. ¡No jale ni sacuda la manguera!
- Trate y utilice el carretel de manguera como lo haría con cualquier otra máquina, siguiendo todas las pautas de seguridad generales.

Instrucciones de Instalación

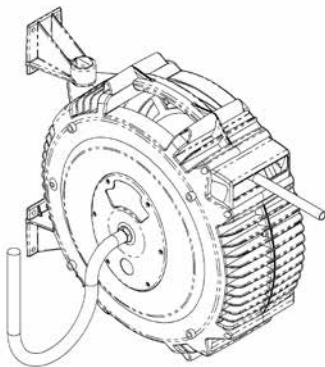
Instalación de la manguera de entrada

Se requiere una conexión flexible entre el carrete y la fuente de suministro para evitar una posible desalineación y que la manguera se enrede. Las conexiones no flexibles cancelarán la garantía. El valor de presión de la manguera de entrada debe ser igual o mayor que el valor del carrete.

Asegúrese de usar selladores roscados cuando sea aplicable y permitido. Nunca ajuste las conexiones demasiado o muy poco.

Una vez que se haya hecho la conexión a la toma del carrete asegúrese de hacer o embonar una conexión a la salida del carrete (la manguera principal) después abra lentamente la válvula de suministro lentamente y revise que no haya fugas.

Nota: Por favor consulte a su autoridad local en cuanto a las reglas y reglamentos acerca del uso seguro de líquidos comprimidos, gases y gases combustibles.



Montaje del carrete

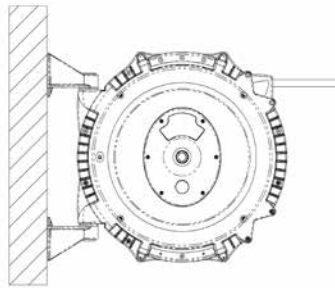
Todos los carretes de manguera de Reelcraft cuentan con un sistema de fijación en todas las posiciones, que permite al carrete operar en todas las posiciones. El carrete se proporciona de manera estándar con un sistema de montaje y ménsulas que permiten el montaje en el techo o en la pared — se puede adquirir un montaje opcional para el piso o debajo del banco para otras

posiciones de montaje — vea los ejemplos en la página siguiente.

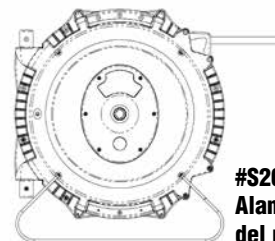
La altura óptima para el montaje de pared es tal que permite jalar la manguera a un ángulo hacia arriba o hacia abajo de no más de aproximadamente quince grados — los ángulos mayores pueden crear una tensión inadecuada en la operación y causar un desgaste prematuro a la abertura de boca del carrete.

Para montaje de pared en donde se requieren las alturas mayores de 9 pies, sugerimos el uso de la ménsula de piso opcional de montaje de rótula. Fije con pernos la ménsula a la pared y fije el carrete en posición de la manera que lo haría para montaje en el techo.

Montaje típico

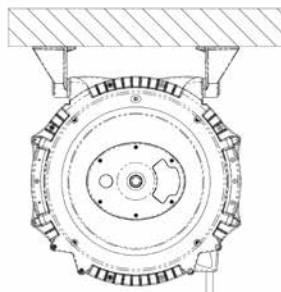


Montaje de suelo fijo



#S261398
Alambre soporte
del marco

Montaje en el techo



NOTA: La orientación de las ménsulas de pared es importante, por favor siga los dibujos.

Cómo usar el carrete

Una vez que usted haya montado su carrete y hecho la conexión de entrada, está listo para operación. Para familiarizarse con la función del carrete, párese lo más cerca posible al carrete, jalando la manguera suavemente hacia fuera, notará un ruido de clic. Este es el trinquete de fijación que pasa por los dientes de fijación o dientes de trinquete.

En cuanto usted escuche este ruido, deje de jalar y permita que la manguera se retracte un poco y se fijará en posición. Si no se fija, permita que la manguera se retraiga un poco más y después jale de nuevo suavemente hasta que escuche los primeros uno o dos clics y entonces deje de jalar y permita que la manguera se retraiga un poco y se fijará.

Ahora jale un poco más hasta que escuche la siguiente serie de clics y repita el proceso de fijación. La manguera se fijará aproximadamente cada 3 pies o en incrementos de 1 metro pero sólo después que usted la haya jalado con un movimiento hacia fuera. El sistema de fijación está diseñado para que la manguera nunca se fije al enrollarla.

Una vez que se familiarice con el sistema no necesitará escuchar los clics de fijación, ya que usted sabrá automáticamente cuando y donde se fijará..

Nunca deje que la manguera se regrese de manera incontrolada ya que esto puede ocasionar daños personales o materiales. Mantenga un agarre firme de la manguera cuando se esté retrayendo hacia el carrete.

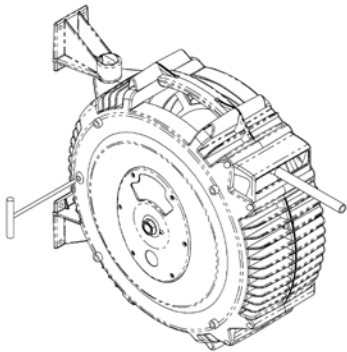
Para volver a enrollar la manguera, jálala aproximadamente 1 pie ó 300 mm y después permita que se regrese mientras la sostiene. Si desea detener en enrollamiento y fijarla en posición de nuevo, jale un poco de la manguera hasta que escuche el clic y permita que se retraiga un poco fijando la manguera en posición.

Mantenimiento y Reparación

Inserción de la herramienta de servicio del perno de fijación

Por motivos de seguridad, hemos diseñado y construido una herramienta de servicio especial, un perno de fijación, el cual, cuando se inserta a través de las cajas externas, fija el tambor para que no pueda rotar al llevar a cabo el trabajo de servicio. Recomendamos usar esta herramienta para evitar daños al carrete o a la persona que esté efectuando el servicio.

Al rotar simplemente el tambor, jalar la manguera suavemente y mirar en el orificio del perno de servicio abajo mostrado, usted verá los orificios alineados; inserte el perno directamente a través del carrete de manera que sobresalga del lado opuesto.



Revisión de Fugas

Como todos los componentes en movimiento y rotación, es necesario llevar a cabo inspecciones regulares de mantenimiento. Algunas de estas revisiones son muy simples y sólo requieren una inspección visual; otras requieren que se realice un trabajo de servicio en partes tales como sellos y anillos en "O".

Le recomendamos que pase una brocha con agua y jabón espumoso, con esto podrá darse cuenta si existe una fuga o escape cuando empiecen a formarse burbujas en el área afectada.

Servicio o reemplazo de anillos en forma de "O" y sellos

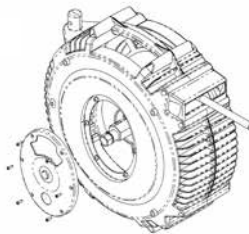
Como con las revisiones de mantenimiento programadas y normales, los anillos en forma de "O" y los sellos tienen que recibir servicio o reemplazarse de tiempo en tiempo. La tarea de reemplazar los anillos en forma de "O" y los sellos son muy simples y sólo debe tomar unos minutos siguiendo el procedimiento abajo mencionado.

Jale toda la manguera hasta afuera del carrete y usando la herramienta de fijación de servicio descrita en "uso de la herramienta de fijación de servicio" fije la herramienta de servicio en posición. Esto fija el carrete y hace que sea seguro para llevar a cabo reparaciones.

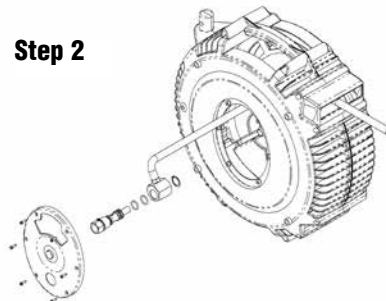
Nota: Nunca abra la placa lateral de tensión ni ajuste la tensión con la manguera parcial o totalmente extendida. Toda la manguera debe estar completamente enrollada en el carrete.

Desconecte el suministro de entrada de la conexión de entrada en el carrete. Retire los seis tornillos auto-rosantes en la placa lateral de entrada. Retire la placa lateral y la rótula. En el extremo de eje de la rótula, retire el clip circular (anillo de

Step 1



Step 2



ajuste) y deslice la funda de la rótula del eje de la rótula. Esto expondrá los anillos en forma de "O" y los sellos — retírelos con una herramienta adecuada.

Nota: No marque o raspe las superficies de sellado del sello o del anillo en forma de "O". Reemplace los anillos en forma de "O" y los sellos y aplique un lubricante apropiado. Use sólo sellos y anillos en forma de "O" originales Reelcraft, el no hacerlo cancelará la garantía.

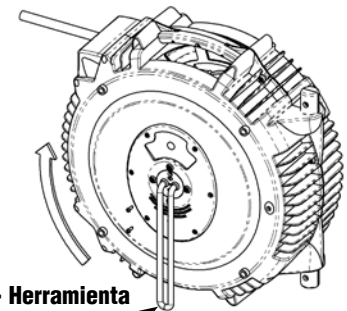
Vuelva a ensamblar la rótula y colóquelo de nuevo en posición, reemplace los tornillos auto-rosantes y sosteniendo la manguera retire la herramienta de servicio y vuelva a enrollar su manguera. Vuelva a conectar la alimentación de entrada y revise que no haya fugas

Añada/Quite Tensión

Nota: Nunca agregue o quite tensión cuando la manguera esté extendida desde el carrete. La manguera siempre debe estar completamente enrollada en el carrete.

Agregar tensión - gire hacia la derecha

Quitar tensión - girar en sentido anti-horario



261909 - Herramienta de servicio Tensado

Con la manguera completamente enrollada en el carrete, retire los dos tornillos auto-enroscantes más internos fijados en el anillo de tensión. Con un separador en forma de "C", o con la herramienta de servicio de tensión, rote la tapa a la derecha una vuelta completa (La tapa de tensión es un sistema de trinquete, así que notará el clic conforme usted gire la tapa). Siempre ponga los tornillos verticales cuando termine, de esta manera siempre sabrá que tiene una vuelta completa.

Siempre que agregue tensión, agregue sólo una vuelta completa a la vez. Antes de reemplazar los tornillos, jale la manguera — revise para asegurar que sale toda la manguera. Si no puede jalar toda la manguera para que salga y hay vueltas restantes en el carrete, esto indica que usted ha sobre-tensionado el resorte o que el resorte ya no tiene fuerza y le sugerimos que se ponga en contacto con su centro de servicio.

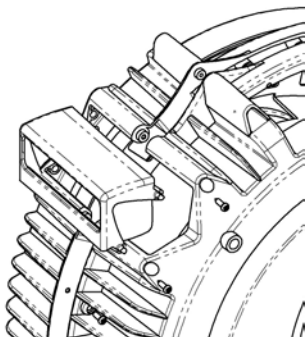
Si todo está bien, reemplace los dos tornillos auto-roscantes para fijar la tapa en posición.

Quitando tensión

Quitando tensión es hecho por una de dos razones, una usted puso tensión de mas al carrete y no puede sacar la manguera del carrete, y dos: si usted esta reemplazando el tambor del carrete. No debe de haber otra razón por la cual quitar tensión del carrete.

Reemplazar el protector de entrada

El carrete ha sido diseñado con un protector de entrada reemplazable para evitar el desgaste de la carcasa del carrete. La cantidad de desgaste en el protector de entrada depende de la cantidad de uso. Para reemplazarlo, saque un poco de manguera del carrete y fíjelo en posición, quite los cuatro sujetadores como se muestra a continuación, jale la carcasa para que se abra ligeramente y se salga el protector de entrada. Retire el protector de manguera y deslice el protector de entrada para que se salga e inserte el nuevo en orden inverso.



Reemplazar rótulas, anillos de deslizamiento y sellos de anillos en forma de "O"

Saque toda la manguera del carrete y usando la herramienta de fijación de servicio descrita en "uso de la herramienta de fijación de servicio" fije la herramienta de servicio en su posición. Esto fija el carrete y lo hace seguro para llevar a cabo reparaciones.

Nota: Nunca abra el plato lateral de tensión ni ajuste la tensión con la manguera total o parcialmente extendida. Toda la manguera o cable debe estar completamente embobinado en el carrete (es decir, completamente enrollada en el tambor del carrete).

Desconecte el suministro de entrada de la conexión de entrada en el carrete. Retire los seis tornillos auto-roscantes en la placa lateral de entrada. Retire la placa lateral y la rótula. Notará que la manguera está conectada al tambor interno con una abrazadera de cable. Corte la abrazadera de cable pero tenga cuidado de no cortar la manguera.

Una vez que haya hecho esto, podrá pasar la manguera a través de la cavidad de la placa lateral. Saque la manguera lo suficiente para tener libre acceso. Retire el clip de apriete o simplemente corte la manguera lo más cercano posible al extremo dentado de la manguera.

Vuelva a conectar la manguera al extremo dentado de la rótula usando una abrazadera adecuada. Reemplace la rótula y vuelva a colocar la abrazadera de cable para sujetar la manguera al tambor y volver a fijar la rótula y la placa lateral. Vuelva a conectar el suministro de entrada y revise que no haya fugas. Retire la herramienta de servicio mientras sujeta la manguera principal y permite que la manguera se retracten.

Reemplazo del sistema de fijación de tensión

El primer paso es quitar la tensión del

carrete. Usando un separador en forma de "C" o la herramienta de servicio, sujete la tapa de fijación central y retire los cuatro tornillos exteriores.

Nota: Hay tensión en esta tapa y querrá girar hacia la izquierda así que sujétela fuertemente.

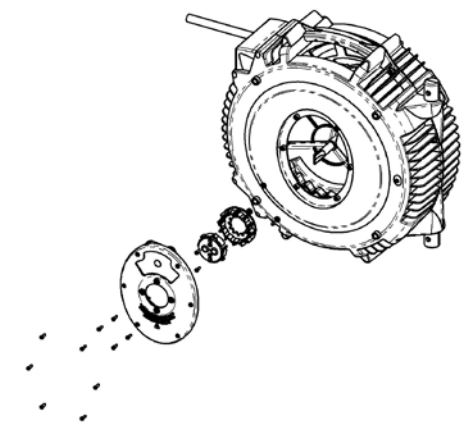
Una vez que haya retirado los tornillos, deje que la tapa se desenrolle de manera controlada — una vez que la tensión se haya liberado, la tapa se mantendrá estacionada. Entonces habrá liberado toda la tensión.

Retire los seis tornillos auto-roscantes que sostienen la placa lateral de tensión. Una vez que usted haya retirado la placa lateral, revise para ver si hay algún daño en los dientes de fijación/ dientes de trinquete localizados en el tambor interno.

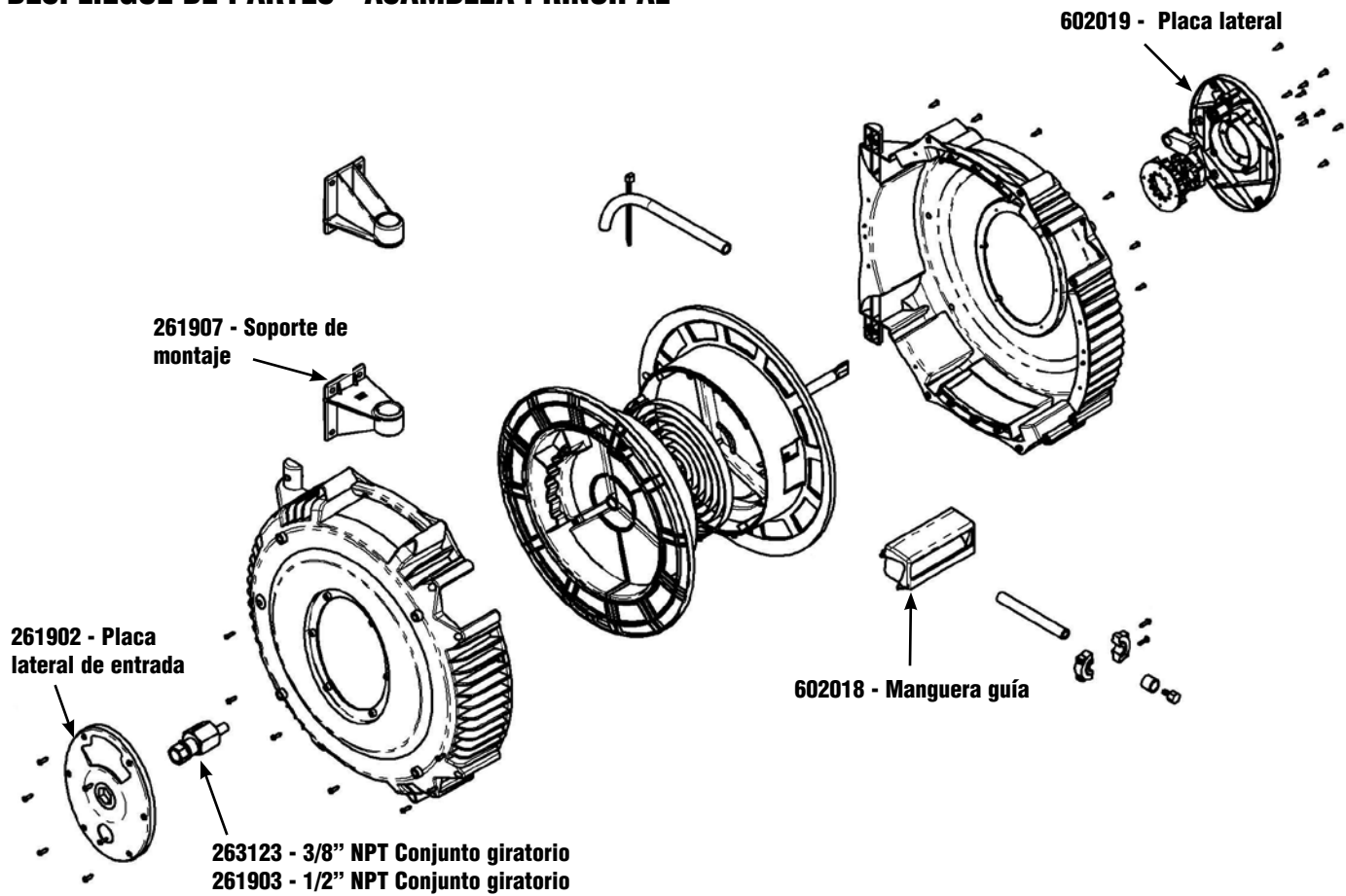
Si los dientes de fijación/ dientes de trinquete están dañados o rotos, usted tendrá que reemplazar el receptáculo de resortes del tambor interno.

Si éstos están todos bien sin daños vuelva a colocar el nuevo conjunto de la placa lateral y siga el procedimiento para volver a tensionar el carrete en la sección anterior.

Para agregar tensión, siga los pasos arriba de "Agregar tensión" si ha quitado toda la tensión y está volviendo a tensionar, agregue cinco vueltas completas para comenzar y después una más a la vez si es necesario.



DESPLIEGUE DE PARTES - ASAMBLEA PRINCIPAL



Nota: No todos los elementos se venden como partes individuales- los conjuntos complejos se venden en forma de grupo de sub-conjunto. Utilice sólo componentes originales Reelcraft, el no hacerlo cancelará la garantía.

Instructions D'Opération

Série S Enrouleurs de Tuyau

Basse pression numéros de modèle:

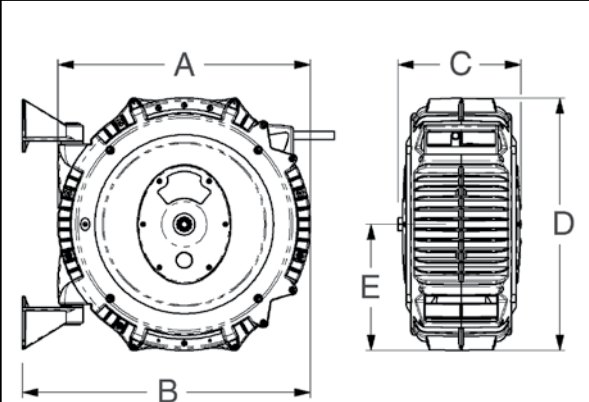
[SGA3650 OLP](#) [SWA3850 OLP](#) [SCA3850 OLP](#)

[SGA3665 OLP](#) [SHA3850 OLP](#)

[SGA3850 OLP](#) [SCA3650 OLP](#)



Dimensions

	A	19 1/4"
	B	22 3/4"
	C	9 1/2"
	D	19"
	E	9 1/2"

IMPORTANT

Lisez ce manuel soigneusement avant d'installer, actionner, ou entretenir cet équipement.

Sécurité

Podrían ocurrir lesiones personales y/o daños en el equipo si no se siguen las instrucciones de seguridad adecuadas.

- Assurez-vous que l'enrouleur est correctement installé avant de raccorder les tuyaux d'entrée et de sortie.
- Evacuez tout liquide/gaz sous pression du système avant d'entreprendre l'entretien de l'enrouleur.
- Avant de raccorder l'enrouleur à la ligne d'alimentation, assurez-vous que la pression n'excède pas la pression de fonctionnement nominale maximum de l'enrouleur.
- Souvenez-vous, même les pressions basses sont dangereuses et peuvent provoquer des blessures ou la mort.
- Ayez conscience des machines et des personnes se trouvant dans la zone de travail.
- Si une fuite apparaît dans le tuyau ou l'enrouleur, décompressez le système immédiatement.
- L'enrouleur comporte un assemblage à ressort de haute tension. Observez la plus grande prudence.
- Sortez le tuyau de l'enrouleur en tirant sur le tuyau lui-même, pas sur l'embout.
- Si l'enrouleur arrête d'enrouler ou de dérouler, décompressez le système immédiatement. Ne pas tirer ou secouer le tuyau !
- Comme avec toute autre machine, traitez l'enrouleur de tuyau avec respect, en observant les consignes de sécurité habituelles.

Instructions d'installation

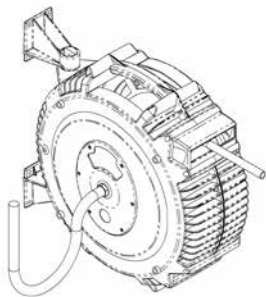
Installation des Tuyaux D'entrés

Un raccordement flexible entre le dévidoir et la source d'alimentation est nécessaire pour éviter un désalignement possible et un blocage. Les connexions non-flexibles annuleront la garantie. La spécification en pression du flexible d'entrée doit être égale ou supérieure à celle du dévidoir.

Utilisez le tuyau et les raccords approuvés adéquats pour relier la conduite d'arrivée à la connexion d'entrée du dévidoir. Ne serrez jamais les raccords avec excès ou trop mollement.

Une fois la connexion réalisée sur l'entrée du dévidoir, effectuez ou adaptez une connexion en sortie du dévidoir (le tuyau principal) puis ouvrez lentement la vanne d'alimentation et vérifiez qu'il n'y a pas de fuites.

Remarque : Veuillez vous référer à votre autorité locale pour les usages et réglementations relatifs à 'utilisation en sûreté de liquides, gaz ou carburants gazeux sous pression.



Comment monter le dévidoir

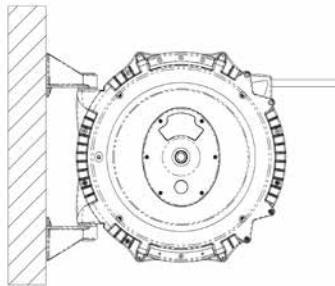
Des dévidoirs pour tuyaux sont munis d'un système de verrouillage dans toutes les positions, qui permet au dévidoir de fonctionner dans toutes les positions de montage. Le dévidoir est fourni en standard avec un système de montage et des supports permettant de la placer sur plafond ou cloison. Un nécessaire optionnel de montage au sol ou sous un plan de travail peut être acheté pour une disposition différente. Reportez vous aux pages suivantes pour des exemples de montage.

La hauteur optimale pour un montage mural est celle qui permet au tuyau ou câble d'être tiré sous un angle montant ou descendant ne faisant pas plus de quinze degrés environ. Les angles dépassant cette valeur peuvent causer une résistance indésirable et causer potentiellement une usure prématurée à l'ouverture de bouche de dévidoir.

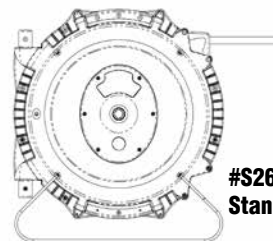
Pour les montages muraux nécessitant une hauteur de plus de 2,75 m (9') nous suggérons d'utiliser le support optionnel pivotant pour plancher.

Boulonnez le support au mur et mettez le dévidoir en place comme vous le feriez pour un montage au plafond.

Montage type

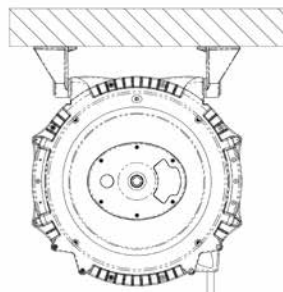


Montage fixe au plancher



#S261398
Stand de fil de fer

Montage au plafond



Remarque : L'orientation des supports muraux est importante. Veuillez suivre les indications des schémas.

Comment utiliser le dévidoir

Une fois que vous avez monté votre dévidoir et réalisé la connexion d'arrivée, vous êtes prêt à l'utiliser. Pour vous familiariser avec la fonctionnalité du dévidoir, tenez-vous le plus près possible, en tirant lentement sur le tuyau vous entendrez un déclic. C'est le cliquet de verrouillage passant sur les dents de cliquet de verrouillage.

Dès que vous avez entendu ce son, cessez de tirer et laissez le tuyau se rétracter un peu et se verrouiller en position. Si ce n'était pas le cas, laissez le tuyau se rétracter un peu plus puis tirez-le de nouveau lentement jusqu'à l'audition des deux premiers déclics, cessez de tirer et laissez le tuyau se rétracter un peu et il se verrouillera.

Maintenant sortez un peu plus de tuyau jusqu'à ce que vous entendiez le prochain jeu de déclics, et répétez le processus de verrouillage. Le tuyau se verrouillera tous les mètres (3') environ, mais seulement après que vous l'avez tiré dans un mouvement vers l'extérieur. Le système de verrouillage est conçu de façon à ce que le tuyau ne se verrouille jamais en cours de réenroulement.

Une fois que vous serez familiarisé avec le système vous n'aurez plus à écouter les déclics de verrouillage, car vous saurez automatiquement où et quand le verrouillage aura lieu.

Ne laissez jamais le tuyau revenir à la volée sans contrôle, cela peut causer des dommages corporels et matériels. Conservez toujours un bon maintien du tuyau pendant qu'il se rétracte dans le dévidoir.

Pour réenrouler le tuyau, tirez-le d'environ 30 cm (1') de plus puis laissez-le se rétracter tout en le maintenant. Si vous désirez arrêter le rembobinage et verrouiller le tuyau en position, tirez une certaine longueur de tuyau pour entendre le déclic et laissez-le se rétracter légèrement en position verrouillée.

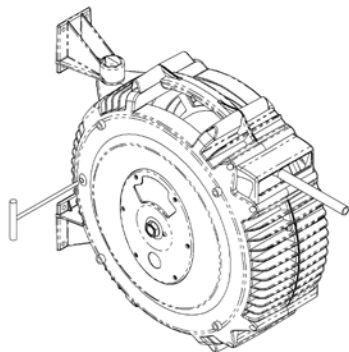
ENTRETIEN ET RÉPARATION

Insertion de l'outil de service goupille de blocage

Dans l'intérêt de la sécurité nous avons conçu et construit un outil spécial de service, une goupille qui, quand elle est insérée au travers du carter extérieur, bloque le tambour pour l'empêcher de tourner, à l'occasion des interventions sur le dévidoir.

Nous recommandons d'utiliser cet outil pour ne pas endommager le dévidoir ou blesser l'intervenant.

Simplement en tournant le tambour, en tirant lentement le tuyau et en regardant dans le trou petit trou de service illustré ci-dessous vous verrez l'alignement des trous. Insérez alors la goupille tout droit au travers du dévidoir pour qu'elle dépasse du côté opposé.



Recherche de fuites

Comme pour tous les composants se déplaçant ou tournant, il y a besoin de procéder à des vérifications d'entretien régulières. Certaines sont très simples et ne demandent qu'une inspection visuelle, d'autres nécessitent du travail à effectuer, comme pour les joints toriques et autres joints d'étanchéité.

Un test à l'eau savonneuse est le plus simple. Passez de l'eau savonneuse au pinceau autour de chaque joint, l'apparition des bulles signale une fuite.

Entretien ou remplacer les joints toriques et les étanchéités

Au cours des vérifications d'entretien normales ou planifiées, les joints toriques et autres joints d'étanchéité auront besoin d'être entretenus ou remplacés de temps en temps.

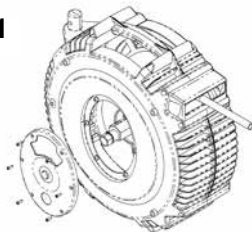
Tirez le tuyau pour le sortir totalement du dévidoir et en utilisant l'outil de service de blocage du dévidoir, comme décrit dans une section précédent sur l'usage de cette goupille. Bloquez bien le dévidoir de façon à pouvoir intervenir dessus en sécurité.

Remarque : N'ouvrez jamais la plaque latérale de tension, et ne réglez pas la tension avec le tuyau totalement ou partiellement sorti. Tout le tuyau doit être enroulé sur le dévidoir.

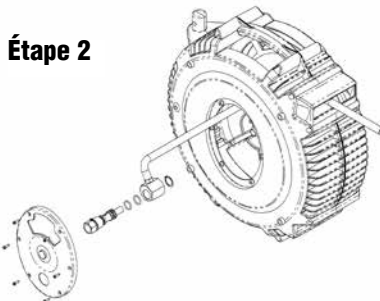
Débranchez l'alimentation à l'arrivée sur le raccord d'entrée du dévidoir. Enlevez les six vis autotaraudeuses de la plaque latérale d'entrée. Enlevez cette plaque latérale et la rotule. Sur l'extrémité d'axe de la rotule enlevez le circlip (frein d'axe) et faites glisser le manchon de rotule sur l'axe de rotule.

Cela va exposer les joints toriques et autres joints d'étanchéité. Enlevez-les avec un outil adéquat.

Étape 1



Étape 2



Remarque : Prenez soin de ne pas marquer ou rayer les surfaces d'étanchéité des joints toriques et autres joints. Remplacez les joints toriques et autres joints d'étanchéité et appliquez-y un lubrifiant approprié.

Remarque : N'utilisez que des joints toriques et autres joints d'étanchéité Reelcraft d'origine, sinon cela annulerait la garantie.

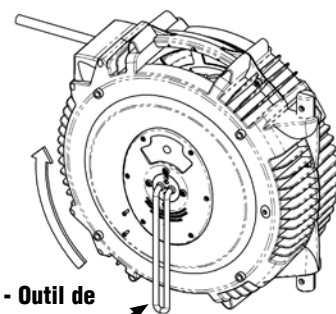
Réassemblez la rotule et remettez-la en position, replacez les vis autotaraudeuses maintenant le tuyau. Enlevez la goupille de service et réenroulez le tuyau.

Comment ajouter ou enlever de la tension

Remarque : N'augmentez pas ou ne diminuez pas la tension quand le tuyau est totalement ou partiellement sorti. Tout le tuyau doit toujours être enroulé sur le dévidoir.

Ajouter de la tension - tourner dans le sens horaire

Enlever de la tension - tourner dans le sens antihoraire



261909 - Outil de tension de service

Avec le tuyau complètement enroulé dans le dévidoir, enlevez les deux vis autotaraudeuses les plus à l'intérieur bloquant l'anneau de tension. Avec une clé à ergot ou l'outil de service de tension, faites tourner dans le sens des aiguilles d'une montre le chapeau d'un tour complet (ce chapeau de tension est un système à cliquet et vous percevrez les déclics durant sa rotation). Ayez toujours les vis verticales quand vous avez terminé, ainsi vous saurez toujours que vous avez effectué un tour complet.

Quand vous ajoutez de la tension n'ajoutez qu'un seul tour complet à la fois.

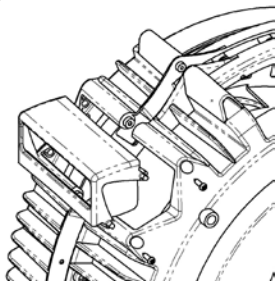
Avant de replacer les vis, tirez le tuyau et vérifiez qu'il revient bien dans le dévidoir. Si vous ne pouvez pas sortir le tuyau complètement, et qu'il en reste des spires dans le dévidoir, cela indique que vous avez trop tendu le ressort, ou bien que le ressort n'a plus de puissance auquel cas vous devez contacter votre centre de service.

Relâchement de la tension

Enlever de la tension est réalisé pour deux raisons possibles. La première parce que vous aviez trop tendu le dévidoir à tuyaux et que vous ne pouvez pas sortir complètement le tuyau. La seconde est que vous devez remplacer le tambour à ressort. Il n'y a pas d'autres raisons pour diminuer la tension du dévidoir. Si tout fonctionne remplacez les deux vis autotaraudeuses pour bloquer le chapeau en position.

Remplacement de la protection d'embouchure

Le dévidoir a été conçu avec une protection d'embouchure remplaçable pour éviter l'usure du carter de dévidoir. Le taux d'usure de la protection d'embouchure dépend de la fréquence d'utilisation. Pour la remplacer, sortez un peu de tuyau du dévidoir et verrouillez-le en position, enlevez les quatre attaches comme montré ci-dessous, forcez légèrement l'ouverture de carter pour faire sortir la protection d'embouchure. Enlevez le butoir et glissez la protection d'embouchure dehors, puis mettez-en une neuve avec une séquence inverse.



Remplacement des rotules, contacts tournants et joints toriques

Tirez le tuyau pour le sortir totalement du dévidoir et en utilisant l'outil de service de blocage du dévidoir, comme décrit dans une section précédente sur l'usage de cette goupille. Bloquez bien le dévidoir de façon à pouvoir intervenir dessus en sécurité.

Remarque : N'ouvrez jamais la plaque latérale de tension, et ne réglez pas la tension avec le tuyau totalement ou partiellement sorti. Tout le tuyau doit être enroulé sur le dévidoir (c'est-à-dire complètement réenroulé sur le tambour du dévidoir).

Débranchez l'alimentation à l'arrivée sur le raccord d'entrée du dévidoir. Enlevez les six vis autotaraudeuses de la plaque latérale d'entrée. Enlevez cette plaque latérale et la rotule. Vous remarquerez que le tuyau est attaché au tambour intérieur avec une ligature de câble, que vous couperez en prenant soin de ne pas entailler le tuyau.

Une fois que c'est fait vous pourrez tirer le tuyau au travers de la cavité de plaque latérale. Sortez le tuyau suffisamment pour obtenir le libre accès. Enlevez l'attache sertie ou simplement coupez le tuyau aussi près que possible de la barbelure.

Rebranchez le tuyau à la barbelure de la rotule en utilisant une attache adéquate. Remplacez la rotule et remplacez une ligature de câble pour attacher le tuyau au tambour, puis remettez en place la rotule et la plaque latérale. Rebranchez l'alimentation d'entrée et vérifiez qu'il n'y a pas de fuites.

Remplacement du système de verrouillage par tension

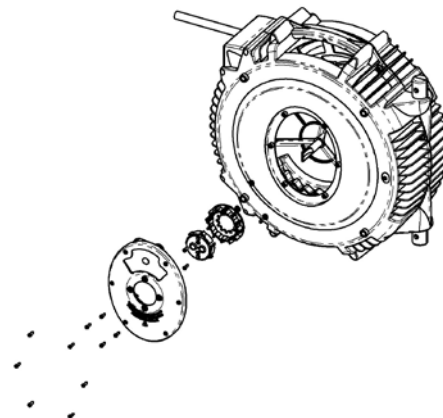
Remarque : N'ouvrez jamais la plaque latérale de tension, et ne réglez pas la tension avec le tuyau totalement ou partiellement sorti. Tout le tuyau doit être enroulé sur le dévidoir (c'est-à-dire complètement réenroulé sur le tambour du dévidoir).

La première étape est d'enlever la tension du dévidoir. En utilisant une clé à ergot ou l'outil de service de tension, maintenez le chapeau central de tension et enlevez les quatre vis extérieures.

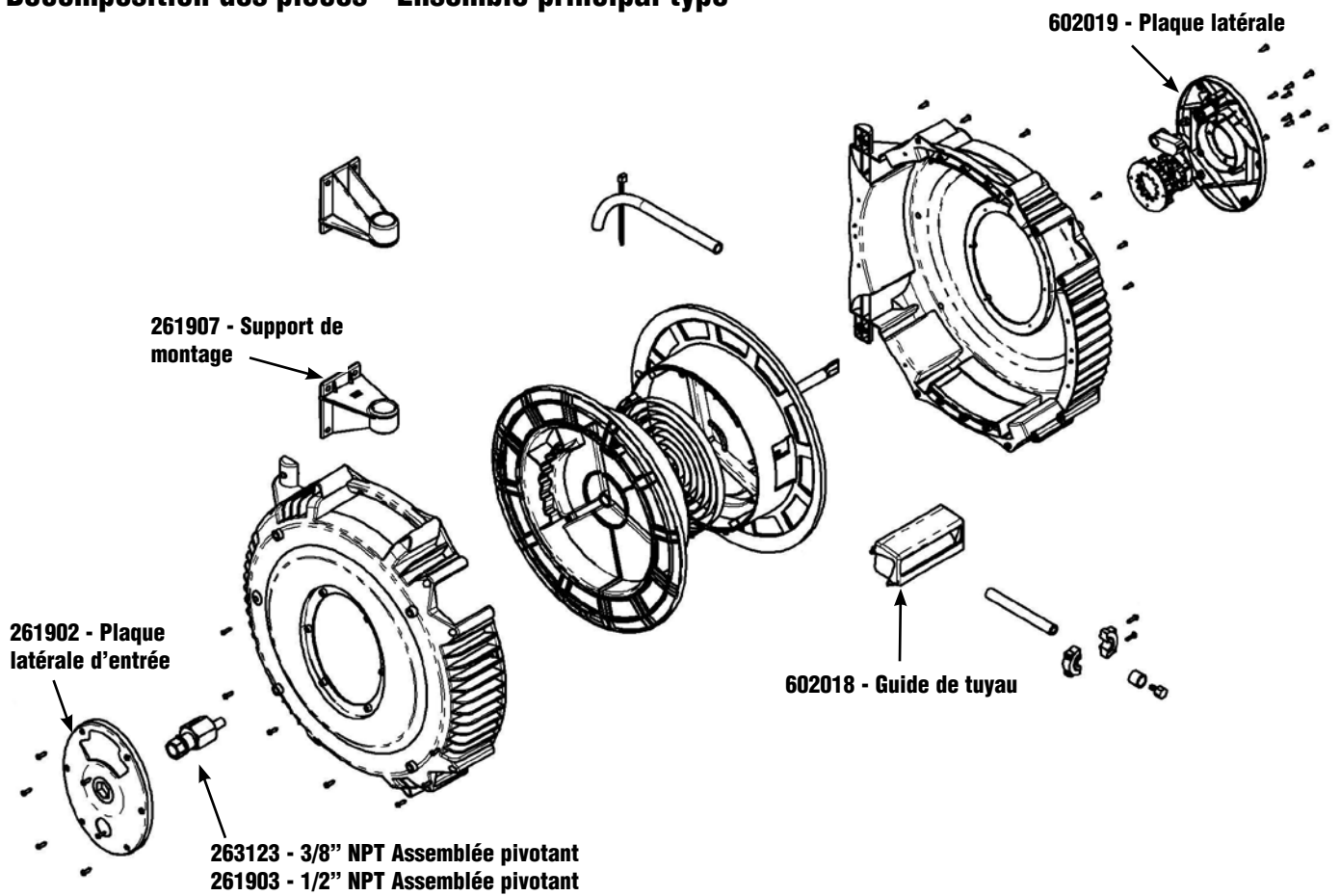
Remarque : Ce chapeau est en tension et il tournerait très vite dans le sens inverse des aiguilles d'une montre, donc maintenez—le bien.

Une fois les vis enlevées, laissez le chapeau tourner sous contrôle. Une fois la tension enlevée le chapeau va rester immobile. Toute la tension a maintenant été supprimée. Enlevez les six vis autotaraudeuses maintenant la plaque latérale de tension.

Une fois la plaque latérale enlevée vérifiez qu'il n'y a pas un quelconque dommage aux dents de cliquet du système de verrouillage sur le tambour intérieur. Si les dents de cliquet du système de verrouillage sont endommagées ou cassées, vous devrez remplacer le contenant de ressort du tambour intérieur. Référez-vous à la section sur le remplacement de ressort cassé à ce stade. Si tout est correct sans dommages, remontez le nouvel ensemble de plaque latérale et suivez la procédure pour retendre le dévidoir décrite dans une section précédente. Pour ajouter de la tension, suivez les étapes précédentes d'ajout de tension. Si vous avez enlevé toute la tension et voulez retendre ajoutez cinq tours complets pour commencer, puis ajoutez de la tension tour par tour si nécessaire.



Décomposition des pièces - Ensemble principal type



Remarque : Toutes les pièces ne sont pas vendues individuellement, les ensembles complexes sont vendus sous forme de kit de sous-ensemble. N'utilisez que des composants Reelcraft d'origine, sinon cela annulerait la garantie.