

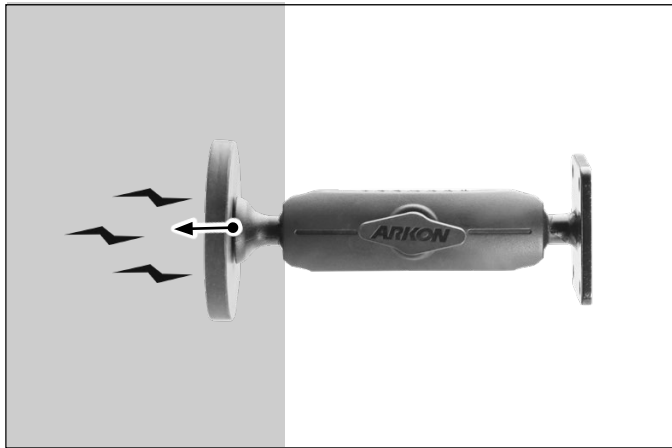
Package Contents:

- (1) TAB005KL-B - Universal Locking Tablet Holder with Key Lock and Key
- (1) SP-RM250 - Robust Mount Shaft - 3.75" 25mm (1 inch) Ball Compatible
- (1) SP1420MAG25 - Magnetic Base with 25mm (1 inch) Ball Adapter
- (1) APMAMPS25MM - 25mm Ball to Metal 4-Hole AMPS Adapter
- (1) SPTAB5KL - Hex Security Screw Pack for TAB005KL-B

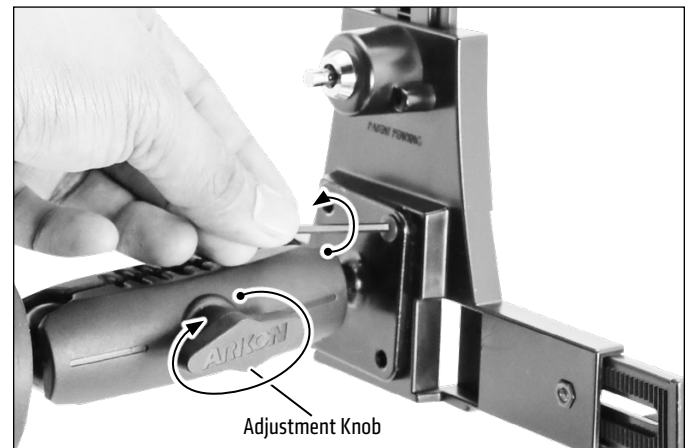
Device Compatibility:

Compatible with tablets 7"-10" screen size.

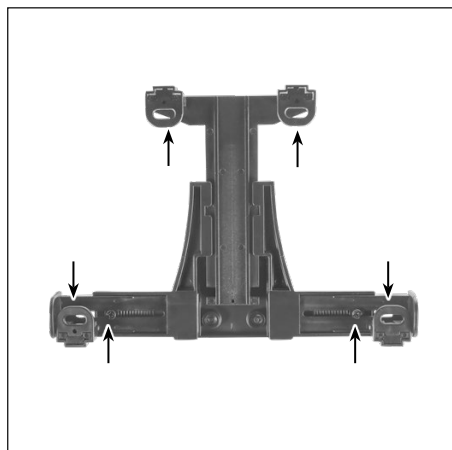
- 1** Attach pedestal to the metal mounting surface through the magnetic base.



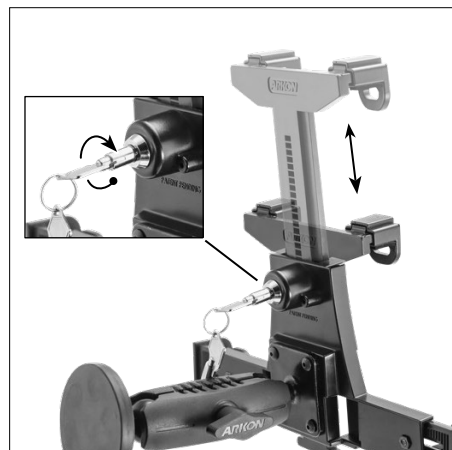
- 2** Connect the tablet holder onto the pedestal using the included hex key to securely tighten the hex screws using the 4-Hole AMPS mounting pattern. Loosen adjustment knob to reposition shaft, retighten to desired position.



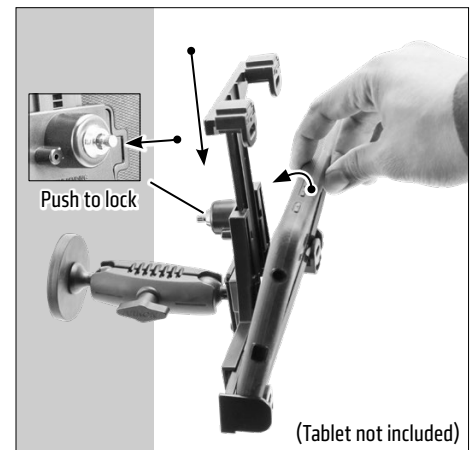
- 3** Use Phillips screwdriver to adjust sides and width of holder to fit tablet. There are 6 screw adjustment points in total.



- 4** Insert key into back lock and turn right to unlock. Pull up on top adjusting arm to prepare for fitting the tablet.



- 5** Insert tablet into holder. Adjust top of holder to fit tablet. Push button in on back lock to secure tablet.



Safety Precautions

Arkon is not responsible for any damages caused to your vehicle, your device, or yourself due to the installation or use of this mount. Do not install Arkon products over an air bag cover or within the air bag deployment zone. Arkon Resources, Inc. assumes no responsibility of liability for injury or death as a result of car crashes and/or air bag deployment.

ARKON MOUNTS

Consumer Hotline:

USA (800) 841-0884
INT'L (626) 254-9005
Monday - Friday 9 am - 5 pm, PST

www.arkon.com

Arcadia, CA 91006 USA

Designed in USA | Made in Taiwan and USA

© Copyright 2020 Arkon Resources, Inc.