



**Package Contents:**

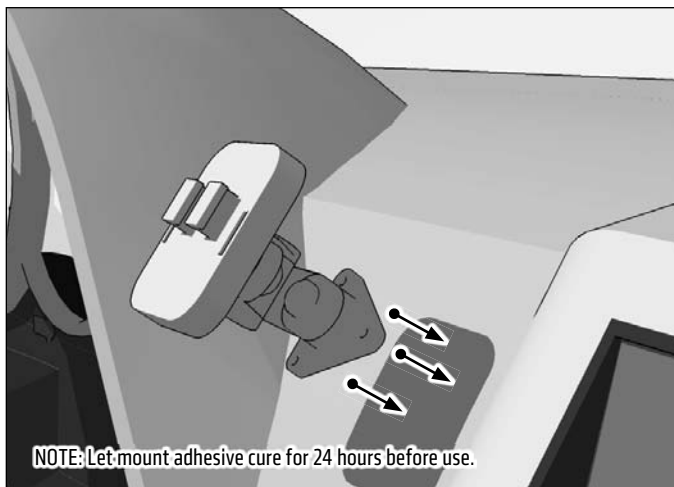
**CM048-2** – 1" Multi-Angle Adhesive or Screw Dashboard Mount

**SM060-2** – Slim-Grip® Ultra™ Holder

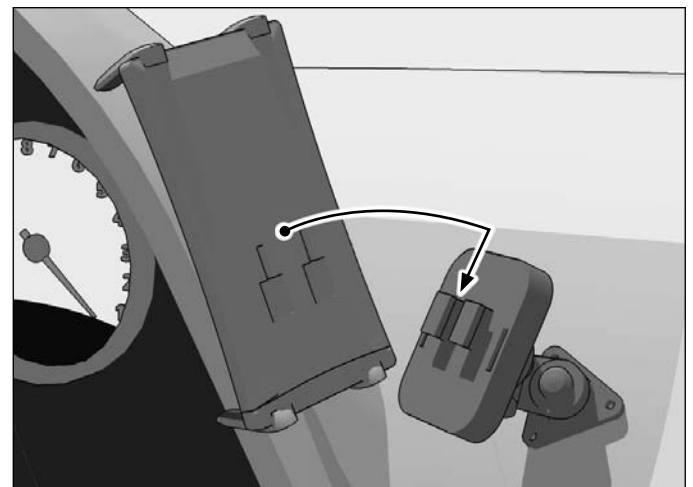
Select the appropriate short or long support legs and install to holder. For large sized smartphones such as the Galaxy Note and midsize tablets, select 4 long support legs.

**⚠ IMPORTANT:** Drilling into the dash, floor, or console will permanently damage the vehicle. Use caution and consult a mobile install professional to avoid drilling into the gas tank, electrical system or other highly sensitive vehicle components.

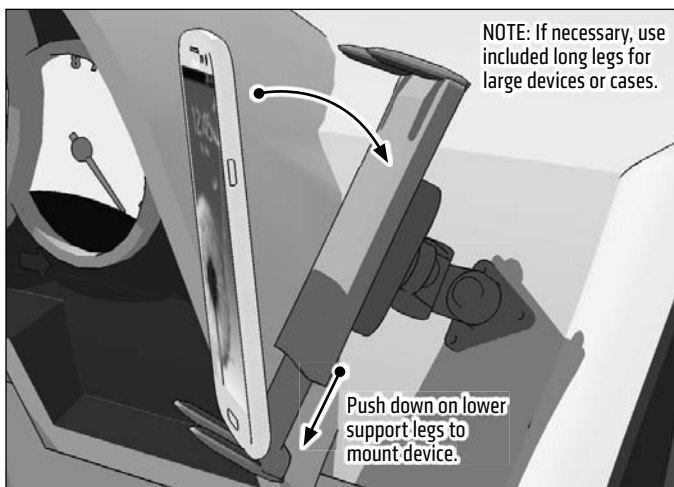
**1** Attach adhesive mount to a clean, flat area of the dash or console.



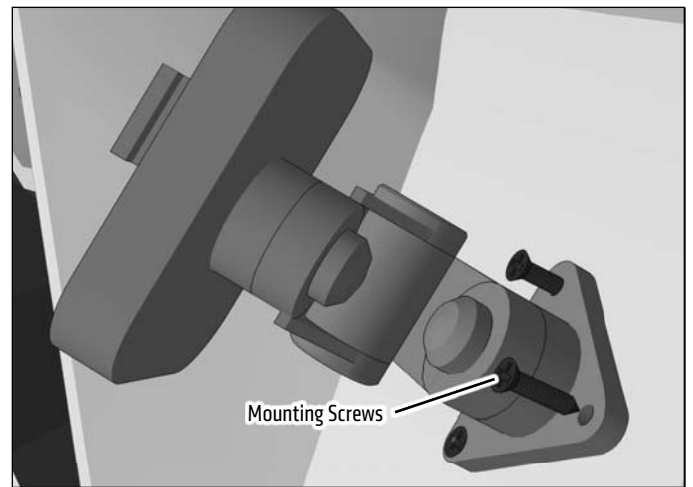
**2** Attach the holder to the mount by inserting the Dual T-Tabs of the mount into the holder.



**3** Insert device by pushing down on the lower support legs and engaging the spring-loaded mechanism. Adjust support legs as necessary.



**OPTIONAL:** Screws may be used for more permanent mounting.



**⚠ Safety Precaution**

Arkon is not responsible for any damages caused to your vehicle, your device, or yourself due to the installation or use of this mount. Do not install Arkon products over an air bag cover or within the air bag deployment zone. Arkon Resources, Inc. assumes no responsibility or liability for injury or death as a result of crash crashes and / or air bag deployment.

**ARKON**  
RESOURCES INC.

The Mobile Mounting Specialists™

Consumer Hotline:

USA (800) 841-0884

INT'L (626) 254-9005

Monday - Friday 9 am - 5 pm, PST

[www.arkon.com](http://www.arkon.com)

Arcadia, CA 91006 USA

Designed in USA | Made in Taiwan & China

© Copyright 2015 Arkon Resources, Inc.