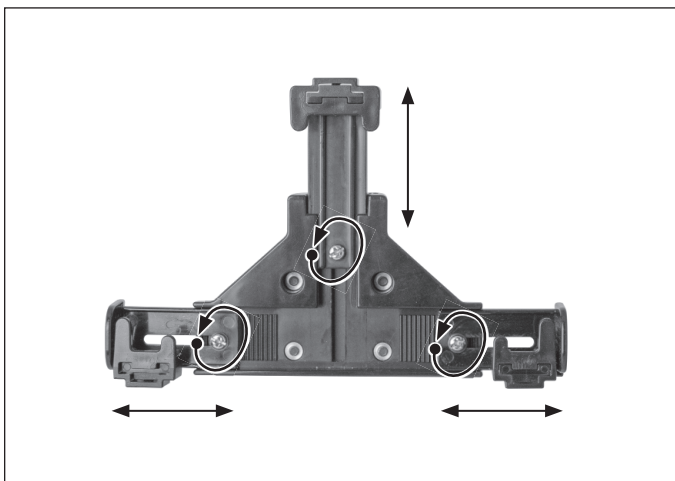


**Package Contents:**

(1) SM090B – Heavy-Duty Universal Locking Phone Holder

**Compatibility:** Fits smartphones with cases measuring up to 7.18" wide.

- 1 Use a Phillips screwdriver to loosen the 3 screws to adjust the holder to the size of your device. Tighten screws to set.



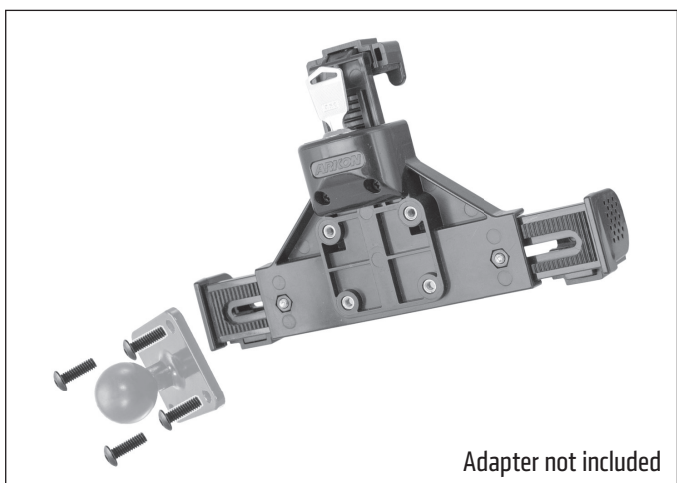
- 2 Insert device and push down on the center arm.



- 3 Lock with included key.



- 4 Attach AMPS compatible adapter to back with included screws.



**! Safety Precautions**  
 Do not install Arkon products over an air bag cover or within the air bag deployment zone. Arkon Resources, Inc. assumes no responsibility of liability for injury or death as a result of car crashes and / or air bag deployment.  
 Arkon is not responsible for any damages caused to your vehicle, your device, or yourself due to the installation or use of this mount.

**ARKON MOUNTS**  
 Consumer Hotline: [www.arkon.com](http://www.arkon.com)  
 USA (800) 841-0884 Arcadia, CA 91006 USA  
 INT'L (626) 254-9005 Designed in USA | Made in Taiwan  
 Monday - Friday 9am - 5pm, PST © Copyright 2021 Arkon Resources, Inc.