

SYLED1400 SERIES - WORK LIGHTS - LED

Illuminator®

SYLED1400 SERIES

Specifications:

- Voltage: 12-24VDC
- Light Source: 9 LED
- Light Output: 1400 lumens
- Output: 27 Watts
- Current Draw: 1 AMP @ 12VDC
.75 AMP @ 24VDC
- Beam Pattern: Flood or spot
- Housing: Aluminum
- Mounting Hardware: Stainless steel
- Mount: Pedestal with wire leads
- Warranty: 3 year
- Features:
 - Shock-proof, waterproof housing suitable for rough conditions
 - Back of housing has large cooling ribs for optimized heat dissipation

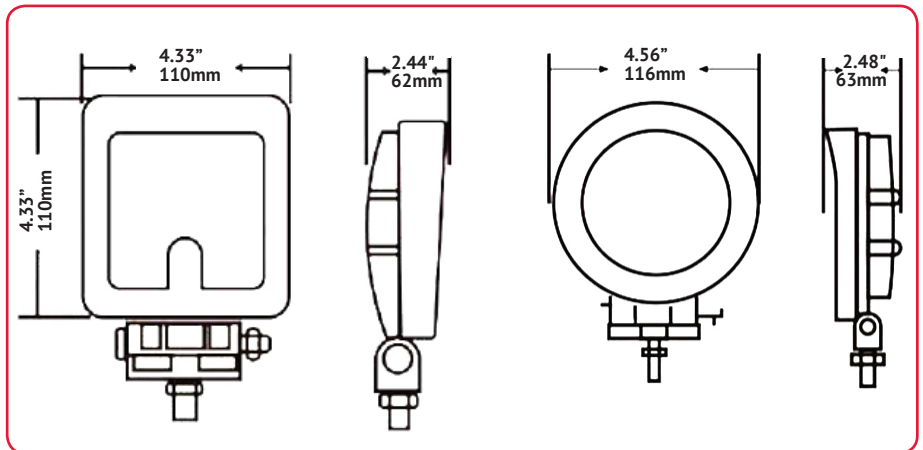
Certifications:

- IP68
- IP6K9K
- SAE J1455

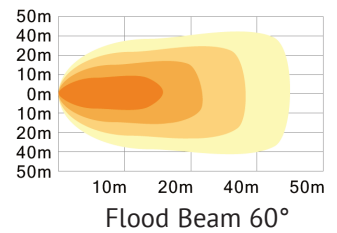
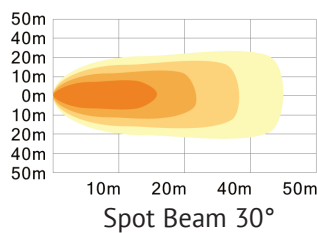


Variations:

PART #	DESCRIPTION
SYLED1400S-FL	Square, Flood
SYLED1400S-SP	Square, Spot
SYLED1400R-FL	Round, Flood
SYLED1400R-SP	Round, Spot



Beam Patterns:



APPLICATIONS:



US: 16355 South Lone Elm Road • Olathe, KS 66062 • USA
Canada: 1039 Cardiff Blvd. • Mississauga, Ontario L5S 1P4 • Canada

P: 913-780-1440 • TOLL FREE 800-447-3693 • F: 913-780-1427
E: info@superiorsignals.com • www.superiorsignals.com