



**Package Contents:**

- (1) TAB004KL-B – Universal Metal Locking Tablet Holder
- (1) HM00425MM-B – Headrest Mount Bracket with 25mm Ball
- (1) SP-RMS250 – Small Robust Mount Shaft
- (1) APMAMPS25MM – Metal 25mm Ball to 4-Hole AMPS Adapter
- (1) SP-RMSH-KIT – Robust Mount Security Kit

**Optional (for converting locking tablet holder to NON-LOCKING option):**

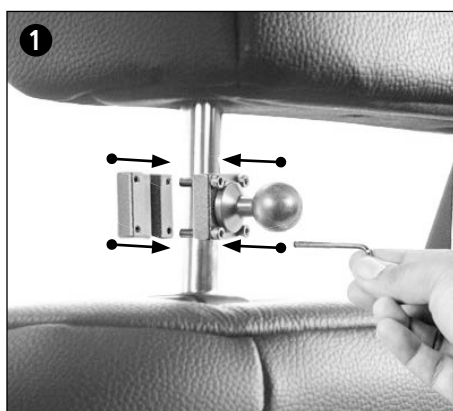
- (1) SPRMLGKNOBNL – Large Robust Shaft Knob (see page 2)

**Device Compatibility:** Fits 7"-10" screen size tablets

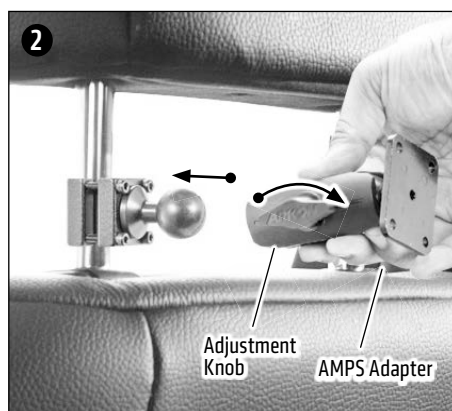
**Tools Needed:** 7mm and 10mm socket wrenches

**IMPORTANT:** Clamp may not fit all headrest types. Please consult your vehicle's user manual for compatibility.

**Mounting Base and Holder**



Place clamp bracket on headrest post and use the included hex key to tighten the 4 hex screws to secure.



Loosen the adjustment knob on the mount shaft; attach AMPS adapter to one end and attach other end to mount's bracket ball. Retighten knob and set tablet holder to desired angle.

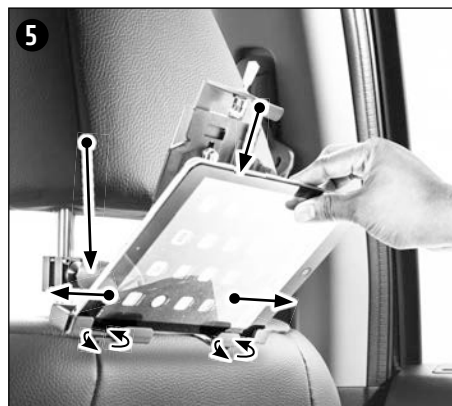


Attach tablet holder to adapter with included screws and bolts.

**Inserting the Tablet**



To size the tablet holder to your tablet, begin by unlocking the top of the tablet holder with the key and push up on the locking arm. Unscrew the three screws/washers at the back/center of the holder to adjust the tablet holder's height.



Unscrew the bolt at the bottom sides of the holder to adjust the tablet holder's width to the tablet. Retighten the screws/washers to secure. Insert tablet into holder. Close down on the locking arm on the top of the tablet.



Secure the tablet by locking the top of the holder with key (included).

**Safety Precaution**

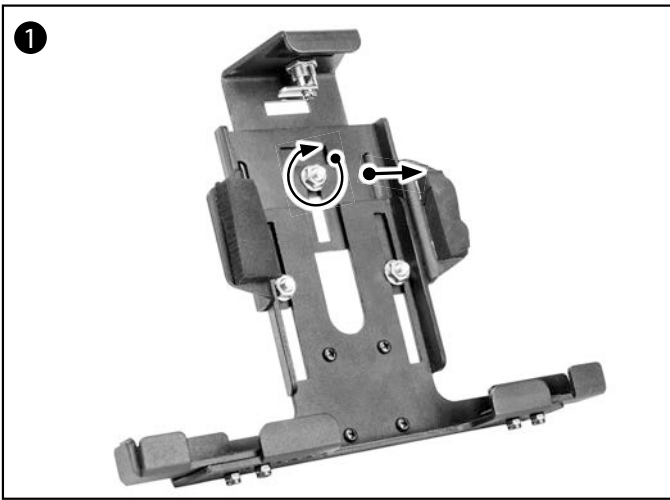
Arkon is not responsible for any damages caused to you, your passengers, or your vehicle as a result of use or installation of this mount.

**ARKON MOUNTS**

Consumer Hotline:  
 USA (800) 841-0884  
 INT'L (626) 254-9005  
 Monday - Friday 9 am - 5 pm, PST

[www.arkon.com](http://www.arkon.com)  
 Arcadia, CA 91006 USA  
 Designed in USA | Made in Taiwan  
 © Copyright 2020 Arkon Resources, Inc.

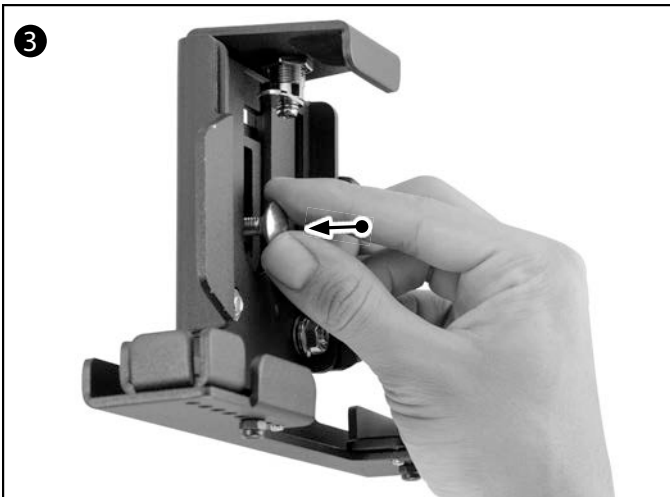
**To convert the metal locking tablet holder to a NON-LOCKING option:**



Remove nut from the center of the front of the holder.



Pull screw out from the back of the holder.



Re-insert screw to the front of the holder.



Attach knob to screw on the back of the holder.



**Safety Precaution**

Arkon is not responsible for any damages caused to you, your passengers, or your vehicle as a result of use or installation of this mount.

**ARKON® MOUNTS**

Consumer Hotline:  
 USA (800) 841-0884  
 INT'L (626) 254-9005  
 Monday - Friday 9 am - 5 pm, PST

[www.arkon.com](http://www.arkon.com)  
 Arcadia, CA 91006 USA  
 Designed in USA | Made in Taiwan  
 © Copyright 2020 Arkon Resources, Inc.