

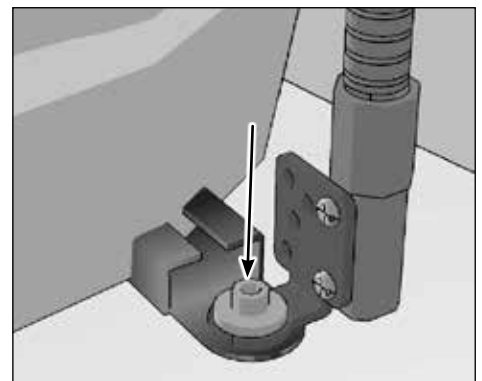
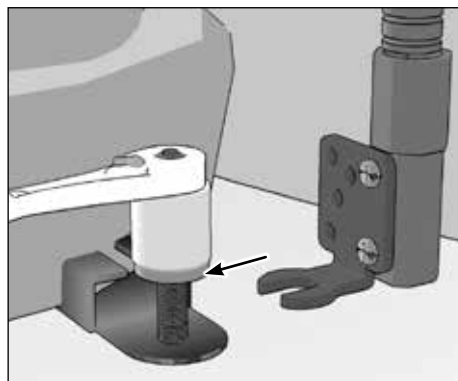
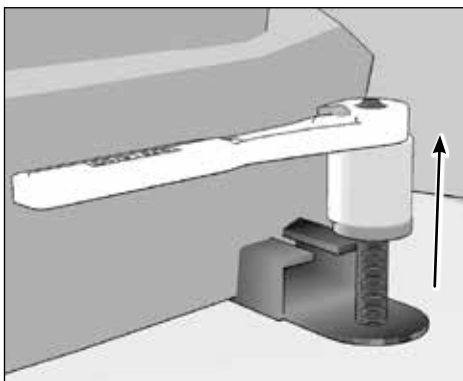
Package Contents:

- (1) RM08825MM – 18" 25mm Seat Rail or Floor Pedestal
- (1) SP-RM250 – Robust Mount Shaft
- (1) APMAMP525MM – 25mm Ball to Metal 4-Hole AMPS Adapter
- (1) TAB005KL-B – Universal Locking Tablet Holder with Key Lock and Key
- (1) SPTAB5KL – Hex Security Screw Pack for TAB005KL-B

Warning: Drilling into the dash, floor, or console may damage the vehicle. Use caution and consult a mobile install professional to avoid drilling into the gas tank, electrical system, or other highly sensitive vehicle components.

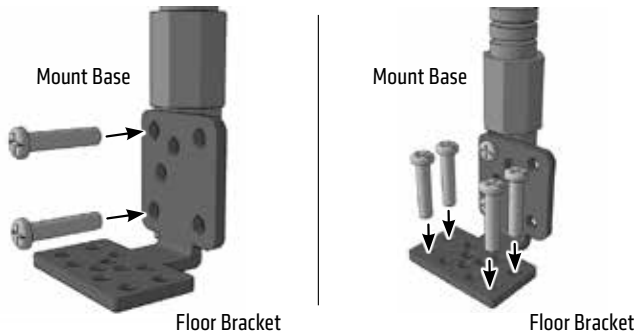
Passenger Seat Bolt Mounting - Option 1:

- 1 Use a socket wrench to loosen the passenger seat track bolt.
- 2 Insert the seat track bolt bracket.
- 3 Retighten the seat track bolt.



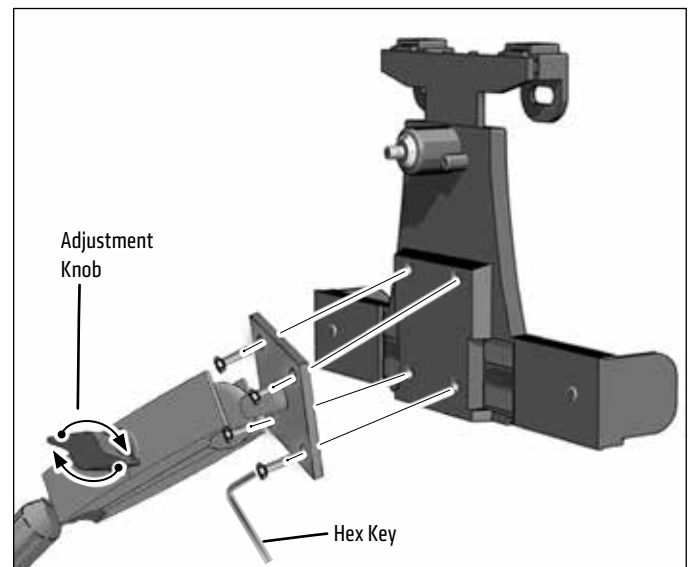
Floor Mounting - Option 2

Screw the floor bracket to the mount. (Depending on your vehicle, you may need to change the orientation of the bracket.) Attach the floor / console bracket with screws.



Attaching the Universal Locking Tablet Holder

Connect the tablet holder onto the pedestal using the included hex key to securely tighten the hex screws using the 4-Hole AMPS mounting pattern. Loosen adjustment knob to reposition shaft, retighten to desired position.

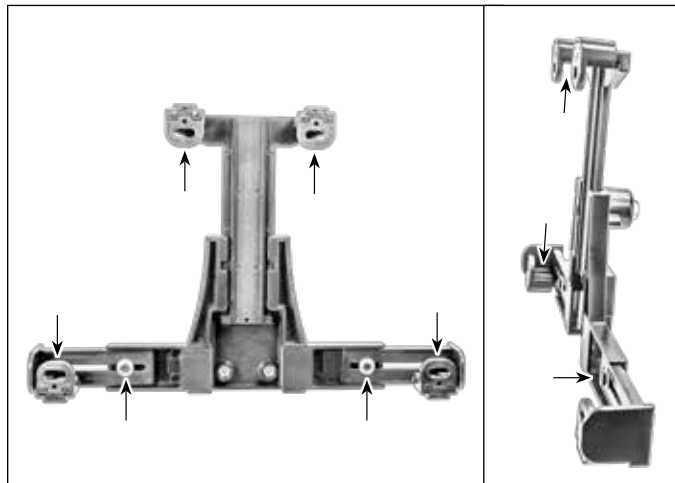


Optional: Attach included metal conduit to console to minimize vibration.

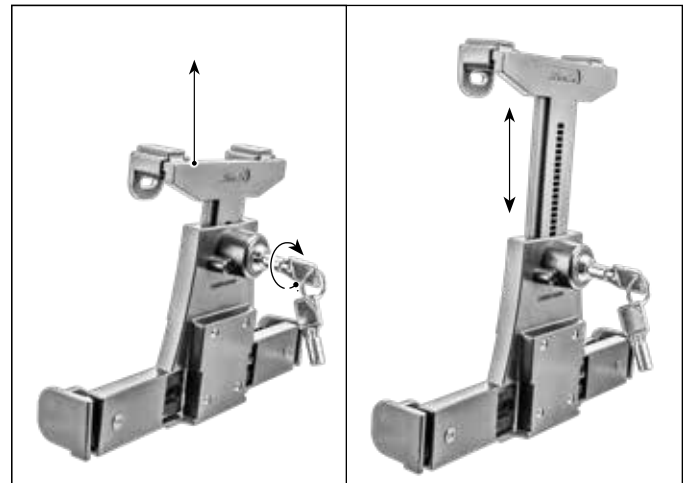


Inserting Tablet

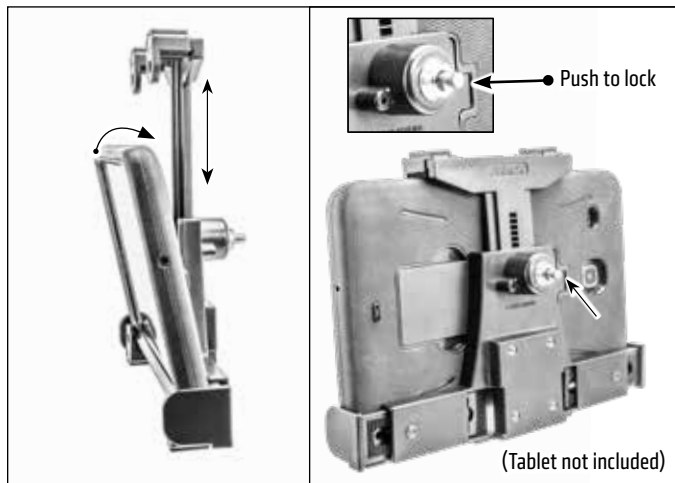
1 Use Phillips screwdriver to adjust sides and width of holder to fit tablet. There are 6 screw adjustment points in total.



2 Insert key into back lock and turn right to unlock. Pull up on top adjusting arm to prepare for fitting the tablet.



3 Insert tablet into holder. Adjust top of holder to fit tablet. Push button in on back lock to secure tablet.



! Safety Precautions
Do not install Arkon products over an air bag cover or within the air bag deployment zone. Arkon Resources, Inc. assumes no responsibility of liability for injury or death as a result of car crashes and/or air bag deployment.

Arkon Resources, Inc. is not responsible for any damages caused to your vehicle, device or yourself due to the installation or use of this mount.

ARKON® MOUNTS

Consumer Hotline:
USA (800) 841-0884
INT'L (626) 254-9005
Monday - Friday 9 am - 5 pm, PST

www.arkon.com
Arcadia, CA 91006 USA
Designed in USA | Made in Taiwan and USA
© Copyright 2018 Arkon Resources, Inc.