

### Includes:

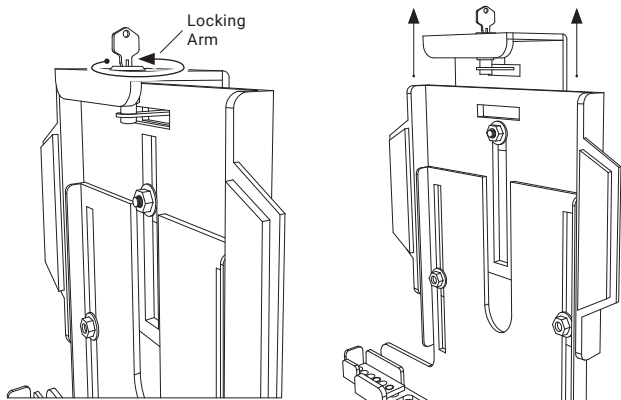
- 1 – Universal Metal Locking Tablet Holder (TAB004KL)
- 1 – Large Robust Shaft Knob (SPRMLGKN0BNL)

**Device Compatibility:** Fits 7"-10" screen size tablets

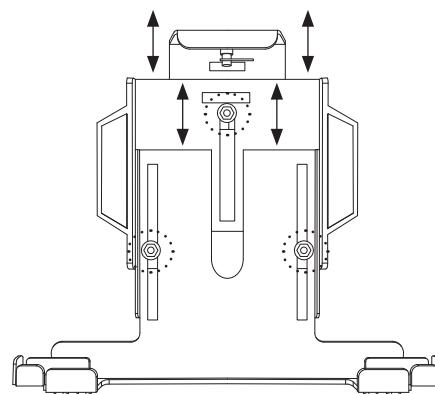
**Tools Needed:** 7mm and 10mm socket wrenches

*Mounting pedestals sold separately.*

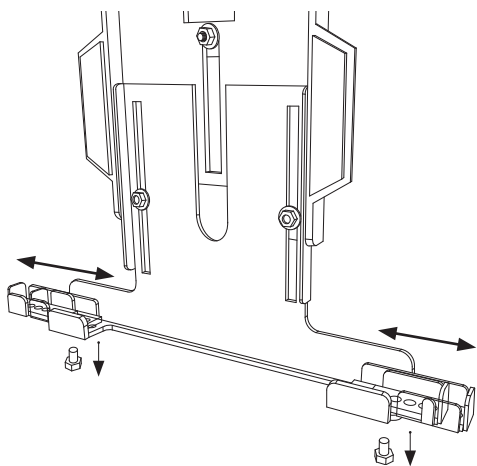
- 1** To size the tablet holder to your tablet, begin by unlocking the top of the tablet holder with the key and push up on the locking arm.



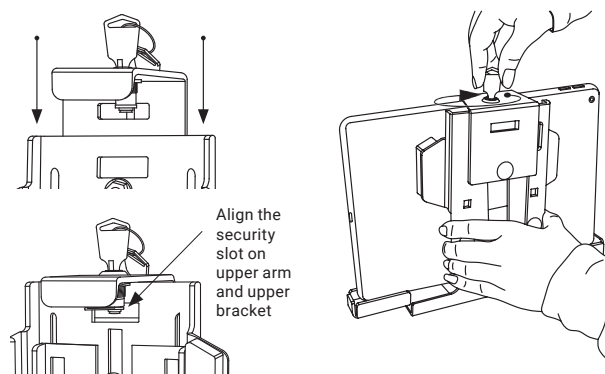
- 2** Unscrew the three screws/washers at the back/center of the holder to adjust the tablet holder's height to the tablet (not included). Retighten the screws/washers to secure.



- 3** Unscrew the screws at the bottom sides of the holder to adjust the tablet holder's width to the tablet. Tighten to secure.



- 4** To lock down tablet, close down on the locking arm on the top of the tablet. Align the security slot on both the locking arm and upper bracket. Use the included key to lock the tablet in place.



### WARNING

CHOKING HAZARD - Keep out of reach from children under 8 yrs. as they can choke or suffocate on parts included with this system.

### WARNING

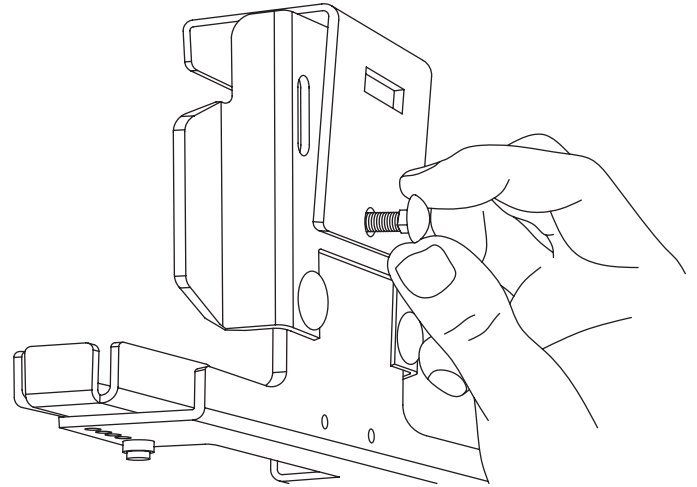
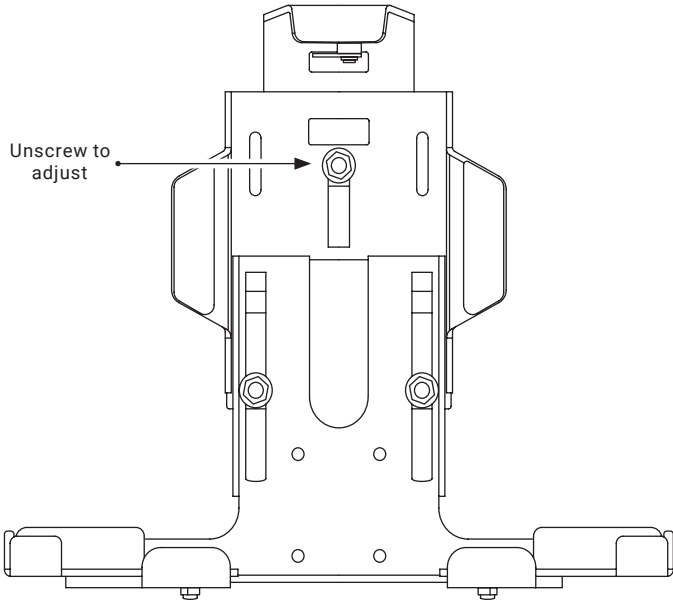
Arkon® is not responsible for any damages caused to your device or yourself due to the installation or use of this mount. Do not install Arkon® products near areas that interfere with operation of vehicles. Arkon® assumes no responsibility or liability for injury or death as a result of failure to install in a safe location. Arkon® is not responsible for any damages caused to vehicles, product, or people due to the installation or use of this product.



To convert the metal locking tablet holder to a NON-LOCKING option:

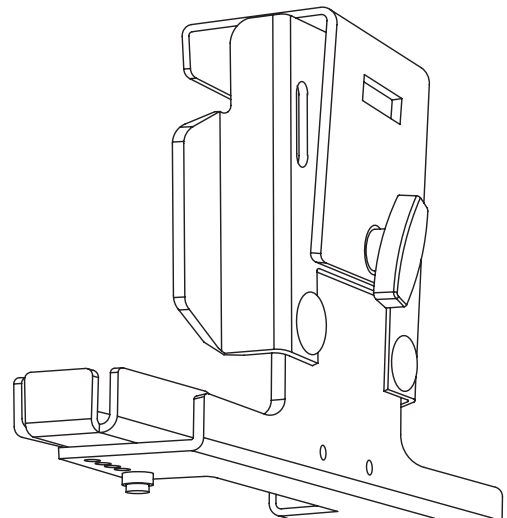
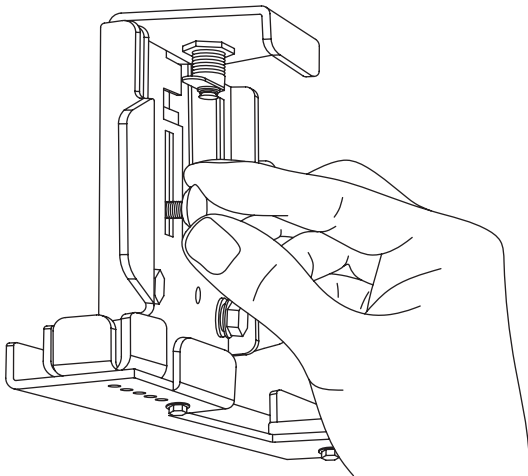
**1** Remove nut and washers from the center of the front of the holder that secures the position of the locking arm

**2** Pull screw out from the back of the locking arm



**3** Re-insert screw to the front of the holder going through the locking arm

**4** Attach knob to screw on the back of the holder's locking arm



**WARNING**

CHOKING HAZARD - Keep out of reach from children under 8 yrs. as they can choke or suffocate on parts included with this system.

**WARNING**

Arkon® is not responsible for any damages caused to your device or yourself due to the installation or use of this mount. Do not install Arkon® products near areas that interfere with operation of vehicles. Arkon® assumes no responsibility or liability for injury or death as a result of failure to install in a safe location. Arkon® is not responsible for any damages caused to vehicles, product, or people due to the installation or use of this product.

