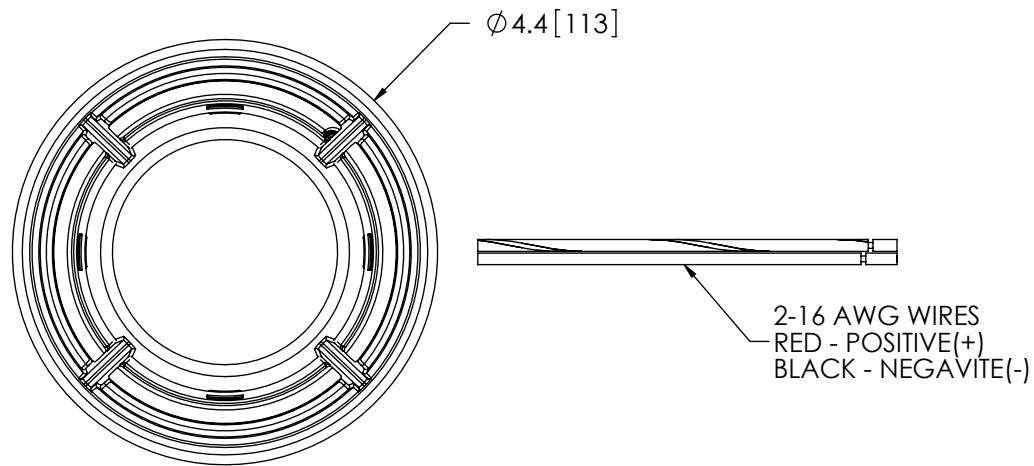
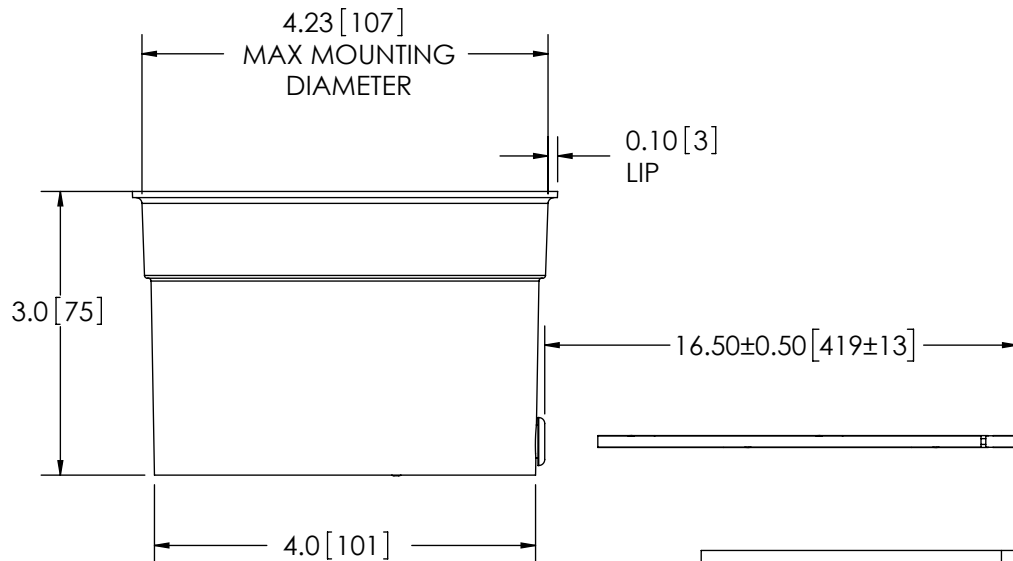


REVISION HISTORY		
REV.	DESCRIPTION	DATE
B	CHANGED HOUSING PER P3# 03027	2004-08-18
C	ADDED CE & e-MARK PER P3 #03027	2005-02-11
D	REVISED PER EC5764	2019-10-11



## SPECIFICATIONS

- CERTIFICATIONS: **CE**; ECE R10;  
Note: Unique components, accessories, and hardware kits are not typically included in the Product Certification Test Protocols. Unless otherwise Specified, the Product Certifications referred to herein are predicated upon the base product model configuration.
- SOUND PRESSURE LEVEL: 87 to 112 ± 4 dB (A) @ 1.2m (4ft)
- VOLTAGE (NOMINAL): 12 to 24 VDC
- VOLTAGE (EXTREME): 9.0 to 32.0 VDC
- CURRENT (PEAK): 0.6 A (@ 12 VDC NOMINAL)
- POWER (MAXIMUM): 14 W (@ 12 VDC NOMINAL)
- TEMPERATURE RANGE: -40°F (-40°C) TO 185°F (85°C)
- FREQUENCY: 960 to 1440 Hz
- CONNECTION: 2 - 16 AWG WIRES
- RECOMMENDED MOUNTING: GROMMET MOUNTING, STANDARD 4 1/2" HOLE
- HOUSING MATERIAL: GLASS FILLED NYLON
- PRODUCT WEIGHT: 1.24 LBS (0.56 Kg)



NOTES:  
1. DIMENSIONS IN INCHES[MILLIMETERS (FOR REFERENCE)]

PROPRIETARY AND CONFIDENTIAL INFORMATION

THIS DRAWING AND THE DESIGN AND OTHER INFORMATION DISCLOSED HEREIN ARE THE PROPERTY OF ELECTRONIC CONTROLS COMPANY AND/OR ITS ECCO SAFETY GROUP AFFILIATES ("ECCO") AND IS ISSUED IN CONFIDENCE TO RECIPIENT FOR ENGINEERING INFORMATION PURPOSES ONLY. THIS DRAWING AND THE DESIGN AND OTHER INFORMATION DISCLOSED HEREIN MAY NOT BE USED, COPIED, REPRODUCED OR OTHERWISE DISCLOSED IN PART OR IN WHOLE TO THIRD PARTIES OR USED FOR ANY OTHER PURPOSE WITHOUT PRIOR ECCO WRITTEN CONSENT. ECCO RESERVES ALL PATENT, COPYRIGHT, TRADEMARK AND OTHER PROPRIETARY RIGHTS TO THIS DOCUMENT, INCLUDING ALL DESIGN, MANUFACTURING, REPRODUCTION, USE AND SALES RIGHTS THERETO. THIS DRAWING IS SUBJECT TO RECALL BY ECCO AT ANY TIME, AND YOUR POSSESSION AND/OR USE CONSTITUTES ACCEPTANCE OF THESE TERMS. ©2000 ELECTRONIC CONTROLS COMPANY

SCALE 1:2		APPROVALS	DATE
CAD GENERATED DRAWING DO NOT MANUALLY UPDATE. MODEL REFERENCED: C		DRAWN BY ABD	2019-10-10
TOLERANCES ARE IN INCHES, AND MILLIMETERS TOLERANCES UNLESS OTHERWISE STATED ARE:		CHECKED MDH	2019-10-10
MILLIMETERS DECIMALS XX. ± 1.0mm XX.X ± 0.5mm	INCHES DECIMALS X.X ± 0.1 X.XX ± 0.04 X.XXX ± 0.02	MECH. ENG. JLA	2019-10-10
	ANGLES ± 0.5°	ELEC. ENG. SPO	2019-10-10
	FRACTIONS ± 1/64	TEST ENG. AP	2019-10-10
		SALES. DMV	2019-10-10
THIRD ANGLE PROJECTION			

 <b>ECCO</b> ® <a href="http://www.eccolink.com">www.eccolink.com</a> Americas (800) 635-5900   Europe +44 (0)113 237 5340   Asia Pacific +61 (0)3 63322444	
<b>ALARM, SMART, 87-112DBA, 12-24VDC</b>	
CUSTOMER PART NO.	N/A
PRODUCT SERIES:	SA940
SIZE: A	DWG. NO. SA940
Electronically Controlled Use Latest Copy	
SHEET 1 OF 1	Project: CR# 602
Date Created: 2000-12-13	REV. D