

Pitman Arm Puller - Sheppard M100 **TIGER TOOL**

10385

Have What It Takes

Safety Warning

Read all instructions and safety warnings prior to operation. Failure to do so could result in equipment damage, personal injury or even death.

CAUTION: ALWAYS KEEP THE FORCING SCREW THREADS CLEAN AND WELL LUBRICATED. LUBRICATE WITH OIL BEFORE EVERY USE. FAILURE TO DO SO CAN RESULT IN THREAD SEIZURE IN THE TOOL.

- **Stay Alert!** Watch what you are doing and use common sense when operating this tool.
- Inspect product for damage prior to using; do not use if product is in unsafe condition.
- Do not operate tool while under the influence of drugs, alcohol or medication.
- Always use safety equipment to prevent injuries. Approved face and eye protection must always be worn by the operator, as well as others in the work area.
- Do not overreach. Keep proper footing and balance at all times.
- Dress properly. Do not wear loose clothing or jewelry. Keep your hair, clothing and gloves away from moving parts.
- Keep your work area clean and well lit.

Operating Instructions

- 1 Use a punch to bend the restraining tabs out of the retainer. (refer to the manufacturers service manual)
- 2 Use an Allen socket to remove the retainer.
- 3 Back the forcing screw out so the tool can slide over the pitman arm. Align the tool so the forcing screw is centered on the sector shaft.
- 4 Hand tighten the forcing screw until the forcing screw has made contact with the sector shaft.
- 5 Using a 1/2" impact wrench, apply force until the pitman arm has been removed from the sector shaft.

Here at Tiger Tool, your satisfaction is our number one priority. Should you have any questions about this or any of our products, please call us at 1.800.661.4661.



View demonstration videos and a complete product list at tigertool.com

Technical Support
1.800.661.4661

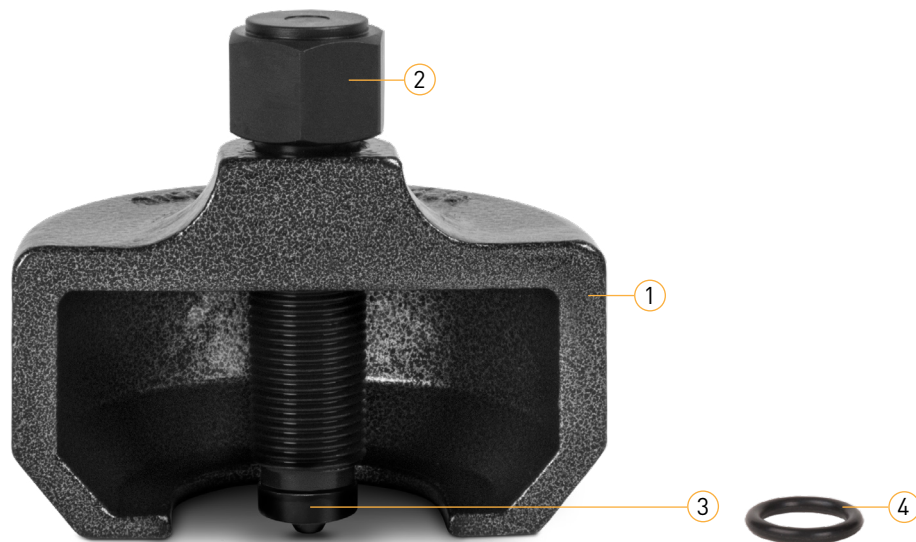
Pitman Arm Puller - Sheppard M100

**TIGER
TOOL**

10385

Have What It Takes

Parts Breakdown



| Item No. | Part Number | Description | Qty. |
|----------|-------------|---------------|------|
| 1 | 10385-1 | Body | 1 |
| 2 | 10385-2 | Forcing Screw | 1 |
| 3 | 10385-3 | Anvil | 1 |
| 4 | 90150-11 | 010 O-Ring | 1 |



View demonstration videos and a complete product list at [tigertool.com](https://www.tigertool.com)

Technical Support
1.800.661.4661