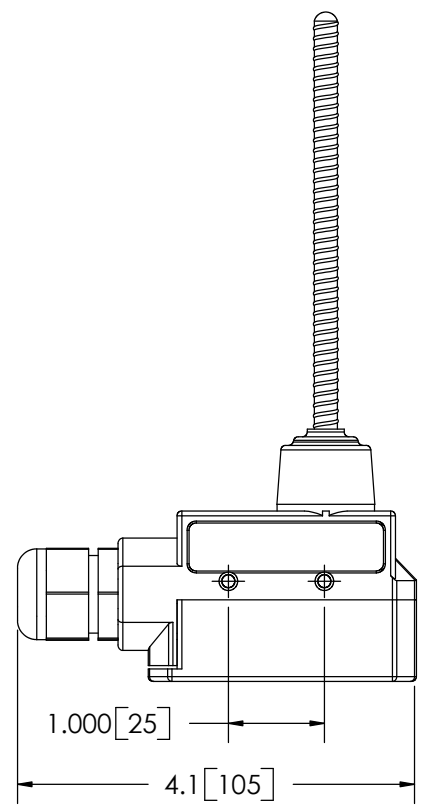
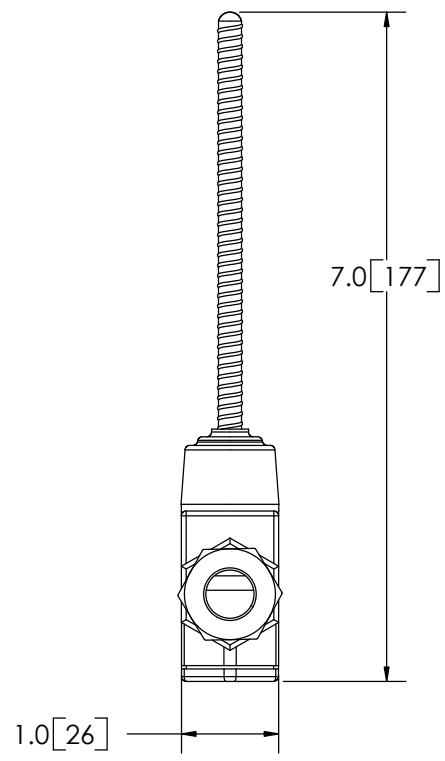


REVISION HISTORY		
REV.	DESCRIPTION	DATE
01	PRELIMINARY RELEASE PER CR# 961	2004-03-18
A	INITIAL RELEASE PER CR#961	2004-03-31

SPECIFICATIONS

- VOLTAGE: 12 to 80 VDC
- CURRENT (MAXIMUM): 10 A



Dimensions, Illustrations, Specifications, and Certifications contained in this document are typical of the actual product and are subject to change. ECCO Engineering does not maintain formal Design control of this product.

NOTES:
 1. DIMENSIONS IN INCHES [MILLIMETERS]
 2. HARDWARE INCLUDED

APPROVALS		DATE
DRAWN BY	JDT	
CHECKED		
ELEC. ENG.		
MECH. ENG.		
TEST ENG.		
SALES		

ECCO[®] Electronic Controls Co.
 An Employee Owned Company
 800-635-5900 P.O. BOX 7246, BOISE, ID 83707

SWITCH, HEAVY DUTY

Project: CR# 961		Date Created: 2004-03-18
SIZE	DWG. NO.	REV.
A	SW15	A
SCALE 1:2	PREPARED PER ASME 14.100M-1998 / ASME Y14.1-1995	SHEET 1 OF 1

NON DISCLOSURE AGREEMENT
 THIS DRAWING AND THE DESIGN IT DISCLOSES ARE THE PRIVATE PROPERTY OF ECCO AND IS ISSUED IN CONFIDENCE FOR ENGINEERING INFORMATION ONLY. THE DRAWING AND / OR DESIGN MAY NOT BE USED, COPIED, REPRODUCED, OR OTHERWISE DISCLOSED IN PART OR AS A WHOLE TO OUTSIDERS OR USED FOR ANY OTHER PURPOSE WITHOUT THE PRIOR WRITTEN CONSENT OF ECCO. THE DRAWING IS SUBJECT TO RECALL AT ANY TIME. YOUR POSSESSION OF THIS DOCUMENT CONSTITUTES ACCEPTANCE OF THESE TERMS. © 2004 ECCO

