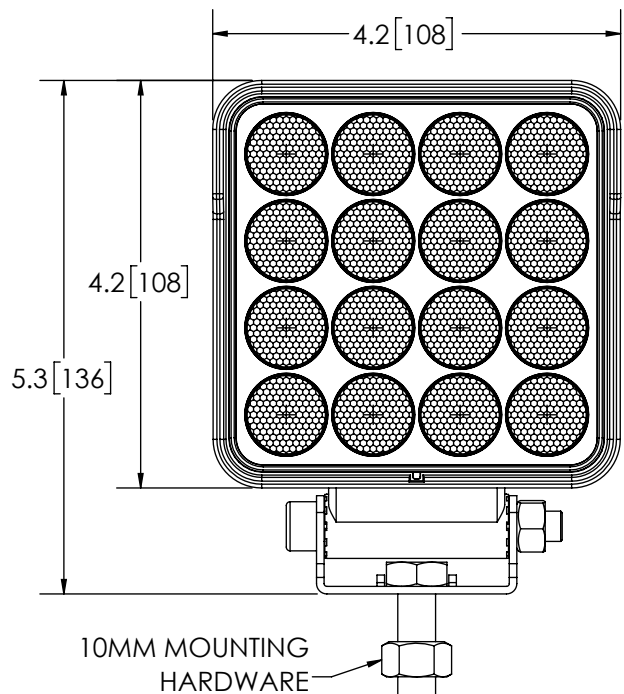


REVISION HISTORY		
REV.	DESCRIPTION	DATE
A	INITIAL RELEASE PER EC3410	2013-03-04
B	REVISE PER EC3410	2017-04-26
C	REVISED PER EC5796	2019-11-20

SPECIFICATIONS

- CERTIFICATIONS: **CE**; IP67
Note: Unique components, accessories, and hardware kits are not typically included in the Product Certification Test Protocols. Unless otherwise Specified, the Product Certifications referred to herein are predicated upon the base product model configuration.
- RAW LUMENS: 2400 lumens
- EFFECTIVE LUMENS: 2200 lumens
- ILLUMINANCE (@ 100 FT): 3.85 lux
- PEAK BEAM INTENSITY: 3592 candela
- VOLTAGE (NOMINAL): 12 to 24 VDC
- VOLTAGE (EXTREME): 10 to 30 VDC
- CURRENT (PEAK): 2.0A (@ 12 VDC NOMINAL)
- POWER (MAXIMUM): 27.1W (@ 12 VDC NOMINAL)
- TEMPERATURE RANGE: -22°F (-30°C) TO 122°F (50°C)
- CONNECTION: 2 - 18 AWG WIRE CABLE
- MOUNTING: SINGLE BOLT
- HOUSING MATERIAL: ALUMINUM
- LENS MATERIAL: POLYCARBONATE
- PRODUCT WEIGHT: 1.94 LBS (0.87 Kg)



DISCLAIMER
DIMENSIONS, ILLUSTRATIONS, SPECIFICATIONS AND CERTIFICATIONS CONTAINED IN THIS DOCUMENT ARE TYPICAL OF THE ACTUAL PRODUCT AND ARE SUBJECT TO CHANGE. ECCO ENGINEERING DOES NOT MAINTAIN FORMAL DESIGN CONTROL OF THIS PRODUCT.

NOTES:
1. ROHS COMPLIANT
2. DIMENSIONS IN INCHES[MILLIMETERS (FOR REFERENCE)]

PROPRIETARY AND CONFIDENTIAL INFORMATION
THIS DRAWING AND THE DESIGN AND OTHER INFORMATION DISCLOSED HEREIN ARE THE PROPERTY OF ELECTRONIC CONTROLS COMPANY AND/OR ITS ECCO SAFETY GROUP AFFILIATES ("ECCO") AND IS ISSUED IN CONFIDENCE TO RECIPIENT FOR ENGINEERING INFORMATION PURPOSES ONLY. THIS DRAWING AND THE DESIGN AND OTHER INFORMATION DISCLOSED HEREIN MAY NOT BE USED, COPIED, REPRODUCED OR OTHERWISE DISCLOSED IN PART OR IN WHOLE TO THIRD PARTIES OR USED FOR ANY OTHER PURPOSE WITHOUT PRIOR ECCO WRITTEN CONSENT. ECCO RESERVES ALL PATENT, COPYRIGHT, TRADEMARK AND OTHER PROPRIETARY RIGHTS TO THIS DOCUMENT, INCLUDING ALL DESIGN, MANUFACTURING, REPRODUCTION, USE AND SALES RIGHTS THERETO. THIS DRAWING IS SUBJECT TO RECALL BY ECCO AT ANY TIME, AND YOUR POSSESSION AND/OR USE CONSTITUTES ACCEPTANCE OF THESE TERMS. ©2013 ELECTRONIC CONTROLS COMPANY

SCALE 1:2		APPROVALS	DATE
CAD GENERATED DRAWING DO NOT MANUALLY UPDATE. MODEL REFERENCED: B		DRAWN BY ABD	2019-10-30
TOLERANCES ARE IN INCHES, AND MILLIMETERS TOLERANCES UNLESS OTHERWISE STATED ARE:		CHECKED MDH	2019-10-31
MILLIMETERS DECIMALS XX. ± 1.0mm XX.X ± 0.5mm	INCHES DECIMALS X.X ± 0.1 X.XX ± 0.04 X.XXX ± 0.02	MECH. ENG. JLA	2019-10-30
		ELEC. ENG. GCJ	2019-11-20
		TEST ENG. JRT	2019-10-31
		SALES. ARS	2019-10-30
THIRD ANGLE PROJECTION			

ECCO www.eccolink.com
Americas (800) 635-5900 | Europe +44 (0)113 237 5340 | Asia Pacific +61 (0)3 63322444

WORK LAMP, 16 LED, SQUARE, FLOOD, 12-24V

CUSTOMER PART NO. **EW2421** PRODUCT SERIES:

SIZE: **A** DWG. NO. **EW2421** REV. **C**

Electronically Controlled Use Latest Copy SHEET 1 OF 1 Project: EC3410 Date Created: 2013-02-08