

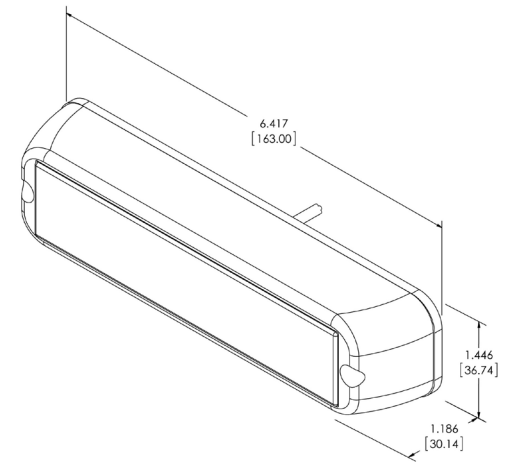


DIRECTIONAL LEDS



ED3766 SERIES Dual-or Tri-Color Surface Mount

The ED3766 Series directional LED warning light offers the flexibility of two or three different color outputs within a single unit, comprised of 12 (dual) or 18 (tri) high intensity LEDs, six of each color. SAE Class I light output, synchronization capability and the choice of multiple flash patterns allows the creation of an attention-getting multi-color warning system with half the number of lights typically required. Each model can be programmed to flash each color option individually or alternate colors.



Models

PART NO.	TYPE	ILLUMINATION COLOR OPTIONS	FLASH PATTERNS
ED3766XX	Dual	AB AC AG AR RB	69
ED3766XXX	Tri	AGW BAW RAW RBW	135

Replace "XX" in part number with desired color: A=amber, B=blue, C=clear, G=green, R=red
 Replace "XXX" in part number with desired color: A=amber, B=blue, G=green, R=red, W=white

Design Features

- 12-24 VDC, 0.8 Amps
- 12 (dual) or 18 (tri) high-intensity LEDs provide exceptional warning
- Six LEDs per color
- Sync-capable
- Aluminum housing, polycarbonate lens
- Temperature Range: -22°F to +122°F (-30°C to +50°C)