



a WABCO company

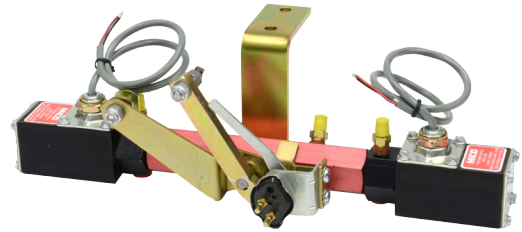
PRODUCT BULLETIN

Hydraulic Brake Locks Dual Cable Lock

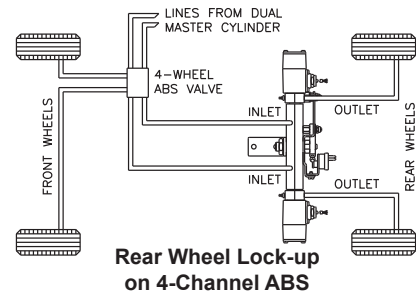
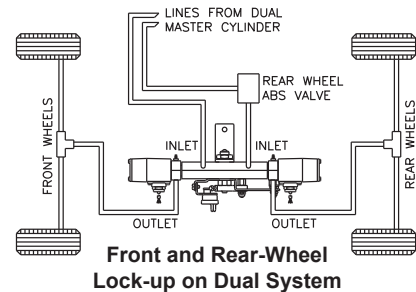
DESCRIPTION

MICO® Dual Cable Locks supplement a vehicle's standard parking brake by utilizing the hydraulic service brake system. Incorporating two manually operated one-way check valves in a single housing, dual cable locks hold fluid under pressure in the selected brakes. Dual cable locks can hold pressure in two separate fluid lines. They can provide 2-wheel locking on vehicles equipped with multi-channel anti-lock brake systems (ABS), or 4-wheel lock-up on dual brake systems or vehicles with single channel ABS. The lock is mounted in a remote location and operated by a cable and knob that is accessible on the dash.

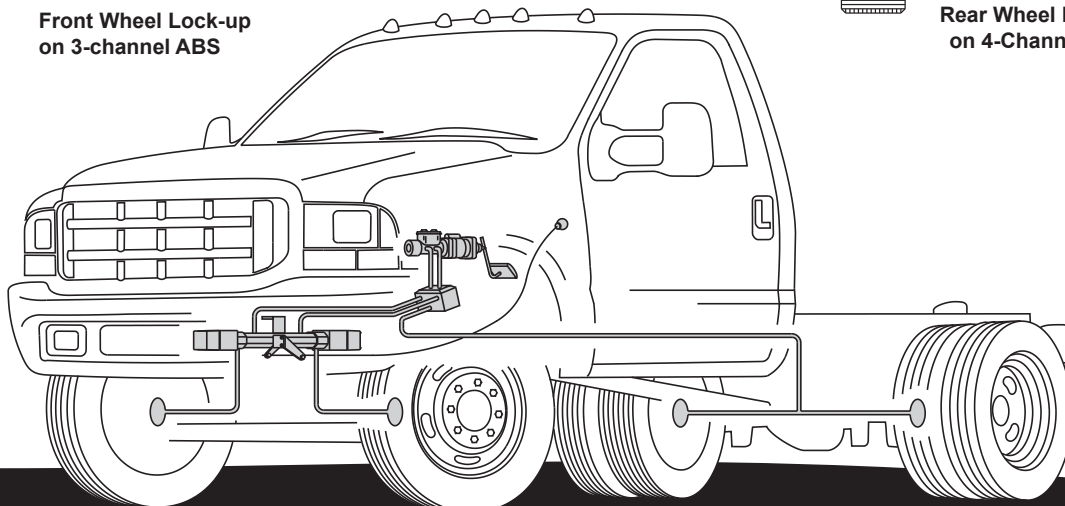
MICO® Hydraulic Brake Locks are ideal for use on vehicles in the construction, mining, forestry, agriculture, and materials handling industries as well as on multi-stop delivery vehicle, and recreational vehicles.

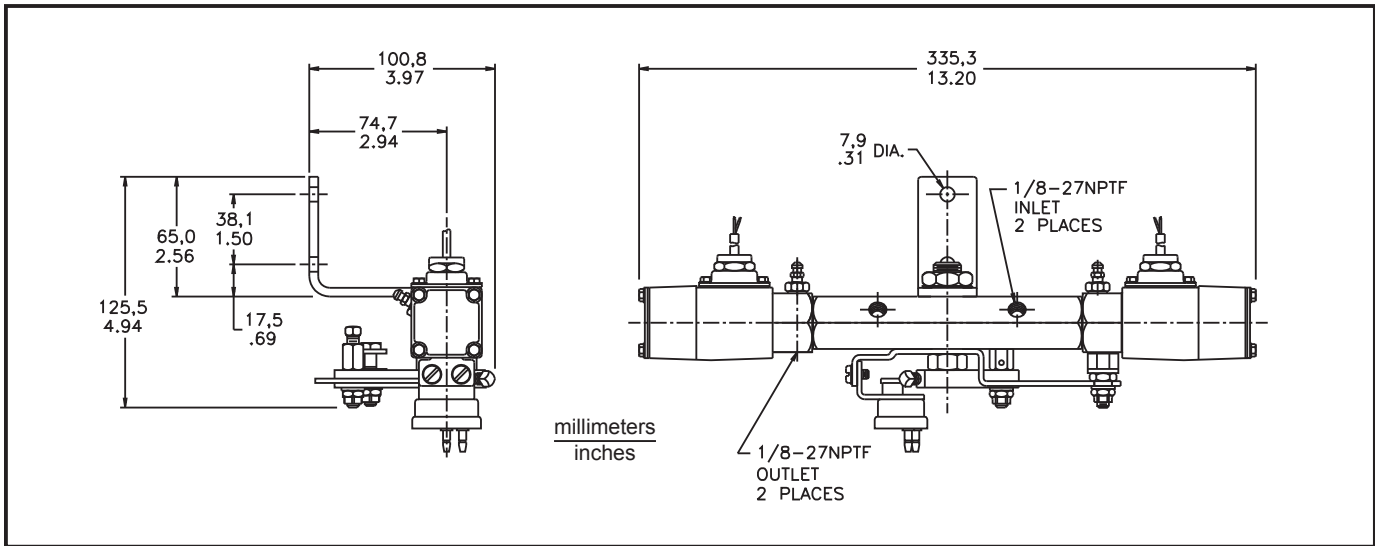


Typical Installations



Front Wheel Lock-up on 3-channel ABS





Dual Cable Lock Operation

To Lock: Set parking brake. Pull MICO® Dual Cable Lock knob/cable completely out. Apply service brakes firmly until alarm stops.

To Release: Push MICO® Dual Cable Lock knob/cable completely in. Release parking brake.

Model Number	Description
02-640-169 (BF)	Dual Cable Lock - 3/16 and 1/4 inch fittings - includes 10 foot cable
02-640-202 (HO)	Dual Cable Lock - 3/16 and 1/4 inch fittings - includes 10 foot cable

BF = DOT 3, 4, 5 and 5.1 brake fluid
HO = mineral base hydraulic oil

Low Pressure Warning Switch

All MICO® Hydraulic Brake Locks include a low pressure warning switch for your safety and the safety of others who may be exposed to danger if the vehicle moves.

The low pressure warning switch must be used in combination with an audible or visual alarm to signal a possible reduction in brake pressure and holding capability. **Do not disconnect the Low Pressure Switch.**

The low pressure warning switch provides two important safety features. First, a signal that indicates that sufficient pressure to hold the vehicle has been locked in the braking system. Second, if a loss of pressure occurs in the locked brake system, the alarm will activate indicating insufficient brake holding pressure.

The MICO® Brake Locks can be used in many different vehicle applications. Please contact MICO, Inc. for assistance in choosing a brake lock best suited for your application.

This document is intended to provide general information about MICO Products. MICO, Inc. has attempted to present accurate information about MICO Products in its catalogs, brochures, and other printed materials. MICO, Inc. is not responsible for errors, inaccuracies, or inconsistencies that may exist in any catalog brochure or other printed materials or any damages arising from or related to reliance on information in them. Materials and specifications for MICO Products set forth in catalogs, brochures, and other printed materials are subject to change without notice or obligation. Refer to www.mico.com for the most recent versions of our literature. If you have any questions concerning MICO Products, please contact MICO, Inc. All MICO Products and service are sold and provided subject to the MICO Warranty at www.mico.com in effect on the date of sale or supply.

MICO is a trademark and registered trademark of MICO, Inc. MICO is registered in the U.S. Patent and Trademark Office as well as in Australia, Canada, Indonesia, Japan, Peoples Republic of China, South Korea, and the European Community.



MICO, Inc.

1911 Lee Boulevard
North Mankato, MN U.S.A. 56003-2507
Tel: +1 507 625 6426 Fax: +1 507 625 3212