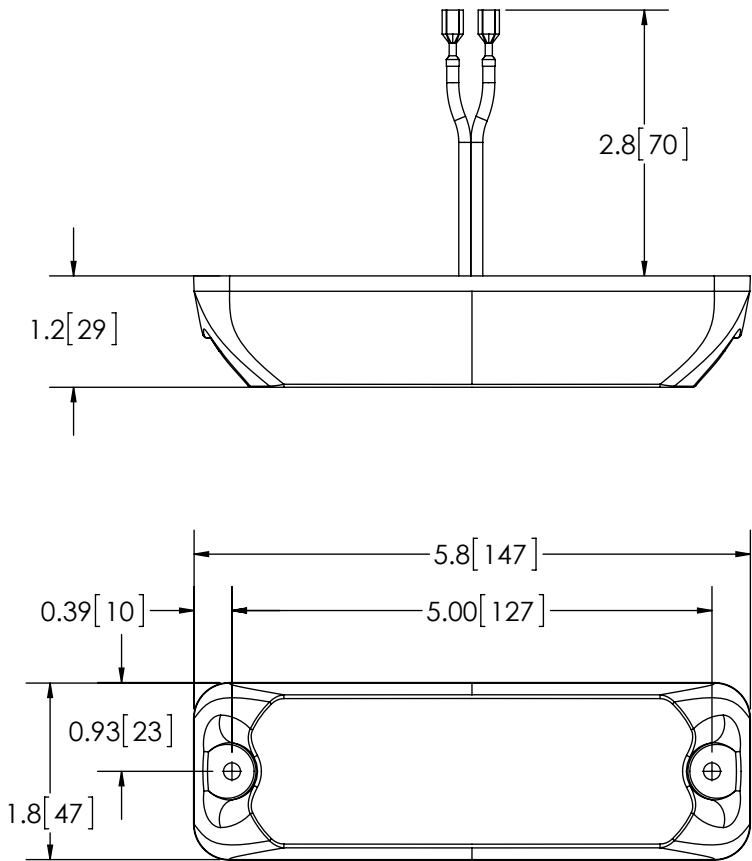



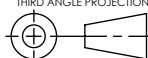
REVISION HISTORY		
REV.	DESCRIPTION	DATE
01	PRELIMINARY RELEASE PER LM13216	2014-09-11
02	REVISED PER LM13216	2014-09-16
A	INITIAL RELEASE PER LM13216	2014-10-29

COLOR CHART	
FGS P/N	COLOR
ER3300A	AMBER
ER3300B	BLUE
ER3300C	CLEAR
ER3300R	RED



SPECIFICATIONS

- CERTIFICATIONS: USE ONLY WITH COMPATIBLE SAFETY DIRECTOR
 Note: Unique components, accessories, and hardware kits are not typically included in the Product Certification Test Protocols. Unless otherwise Specified, the Product Certifications referred to herein are predicated upon the base product model configuration.
- FLASH MODE: STEADY : N/A ± 5 FLASHES PER MINUTE
- VOLTAGE (NOMINAL): 12 to 24 VDC
- VOLTAGE (EXTREME): 9.0 to 32 VDC
- CURRENT (PEAK): 0.3A (@ 12 VDC NOMINAL)
- POWER (MAXIMUM): 4.3W (@ 12 VDC NOMINAL)
- TEMPERATURE RANGE: -22°F (-30°C) TO 122°F (50°C)
- CONNECTION: 2-22 AWG WIRES W/CONNECTOR
- MOUNTING: 2 BOLT MOUNT
- BASE MATERIAL: POLYCARBONATE
- LENS MATERIAL: POLYCARBONATE
- PRODUCT WEIGHT: 0.3 LBS (0.14 Kg)

SCALE 1:2		APPROVALS	DATE	 Electronic Controls Co. 833 West Diamond Street, Boise, ID 83705 800-635-5900 www.eccolink.com					
CAD GENERATED DRAWING DO NOT MANUALLY UPDATE. MODEL REFERENCED:A		DRAWN BY SNS	2014-09-16						
TOLERANCES ARE IN INCHES, AND MILLIMETERS TOLERANCES ARE:		CHECKED MDH	2014-09-17						
<table border="1"> <tr> <th>MILLIMETERS DECIMALS</th> <th>INCHES DECIMALS</th> <th>ANGLES</th> </tr> <tr> <td>XX. ± 1.0mm XX.X ± 0.5mm</td> <td>X.X ± 0.1 X.XX ± 0.04 X.XXX ± 0.02</td> <td>± 0.5° FRACTIONS ± 1/64</td> </tr> </table>		MILLIMETERS DECIMALS	INCHES DECIMALS		ANGLES	XX. ± 1.0mm XX.X ± 0.5mm	X.X ± 0.1 X.XX ± 0.04 X.XXX ± 0.02	± 0.5° FRACTIONS ± 1/64	MECH. ENG. JLA
MILLIMETERS DECIMALS	INCHES DECIMALS	ANGLES							
XX. ± 1.0mm XX.X ± 0.5mm	X.X ± 0.1 X.XX ± 0.04 X.XXX ± 0.02	± 0.5° FRACTIONS ± 1/64							
NON DISCLOSURE AGREEMENT		ELEC. ENG. TJT	2014-09-16	REPLCMNT,MODULE,LED,SAF DIR,12-24V CUSTOMER PART NO. SEE CHART					
<small>THIS DRAWING AND THE DESIGN IT DISCLOSES ARE THE PRIVATE PROPERTY OF ECCO AND IS ISSUED IN CONFIDENCE FOR ENGINEERING INFORMATION ONLY. THE DRAWING AND / OR DESIGN MAY NOT BE USED, COPIED, REPRODUCED, OR OTHERWISE DISCLOSED IN PART OR AS A WHOLE TO OUTSIDERS OR USED FOR ANY OTHER PURPOSE WITHOUT THE PRIOR WRITTEN CONSENT OF ECCO. THE DRAWING IS SUBJECT TO RECALL AT ANY TIME. YOUR POSSESSION OF THIS DOCUMENT CONSTITUTES ACCEPTANCE OF THESE TERMS. © 2014 ECCO</small>		TEST ENG. JRT	2014-10-16		PRODUCT SERIES: 3300				
THIRD ANGLE PROJECTION		SALES. GLB	2014-09-17	SIZE: A DWG. NO. ER3300X REV. A SHEET 1 OF 1 Project: LM13216 Date Created: 2014-09-11					
		Electronically Controlled Use Latest Copy							