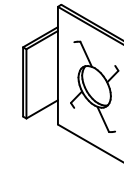
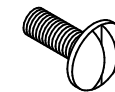


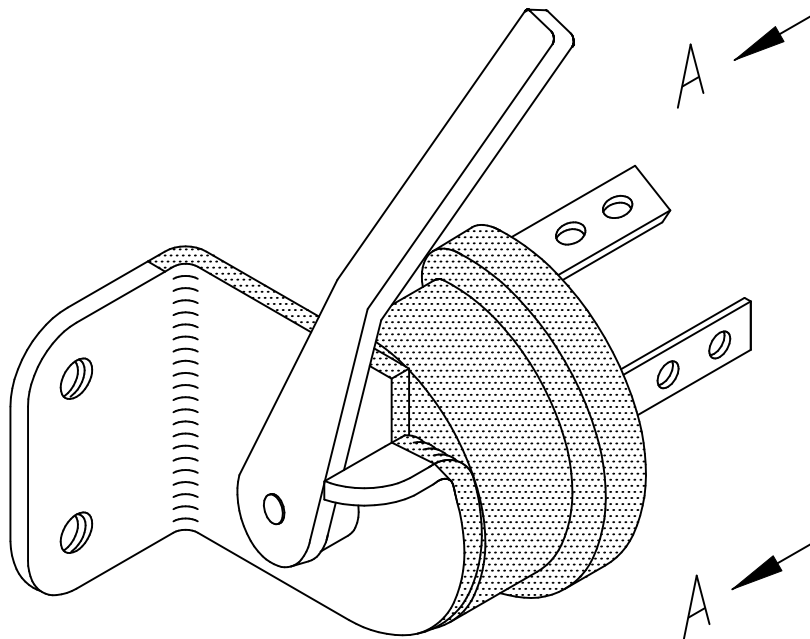
VIEW A-A



(2 EACH)



(2 EACH)



NOTES:

1. SHOWS AREAS TO BE COVERED WITH PLASTIC DIP COATING.



NONDISCLOSURE AGREEMENT

THIS DRAWING AND THE DESIGN IT DISCLOSES ARE THE PROPERTY OF ECCO AND IT IS ISSUED IN CONFIDENCE FOR ENGINEERING INFORMATION ONLY. THE DRAWING AND OR DESIGN MAY NOT BE REPRODUCED, DISCLOSED TO OUTSIDERS, OR USED FOR ANY OTHER PURPOSE WITHOUT THE PRIOR EXPRESS CONSENT OF ECCO. THE DRAWING IS SUBJECT TO RECALL AT ANY TIME.

TOLERANCES
UNLESS OTHERWISE NOTED

DECIMAL:	
ONE PLACE	+/- 0.1
TWO PLACE	+/- 0.01
THREE PLACE	+/- 0.005
ANGULAR:	+/- 0.5°
FRACTIONAL	+/- 1/64

A	10-9-95	ADDED NONDISCLOSURE BLOCK
REV	DATE	DESCRIPTION

ECCO ELECTRONIC CONTROLS CO.
208-376-0707 P. O. BOX 7246, BOISE, ID 83707

SCALE: NONE	DRAWN:	CHK'D:	APP'D:
DATE: 7-6-95			

SW10 LIGHT DUTY SWITCH

P/N

DRAWING NO.
FGS\SW10-LA