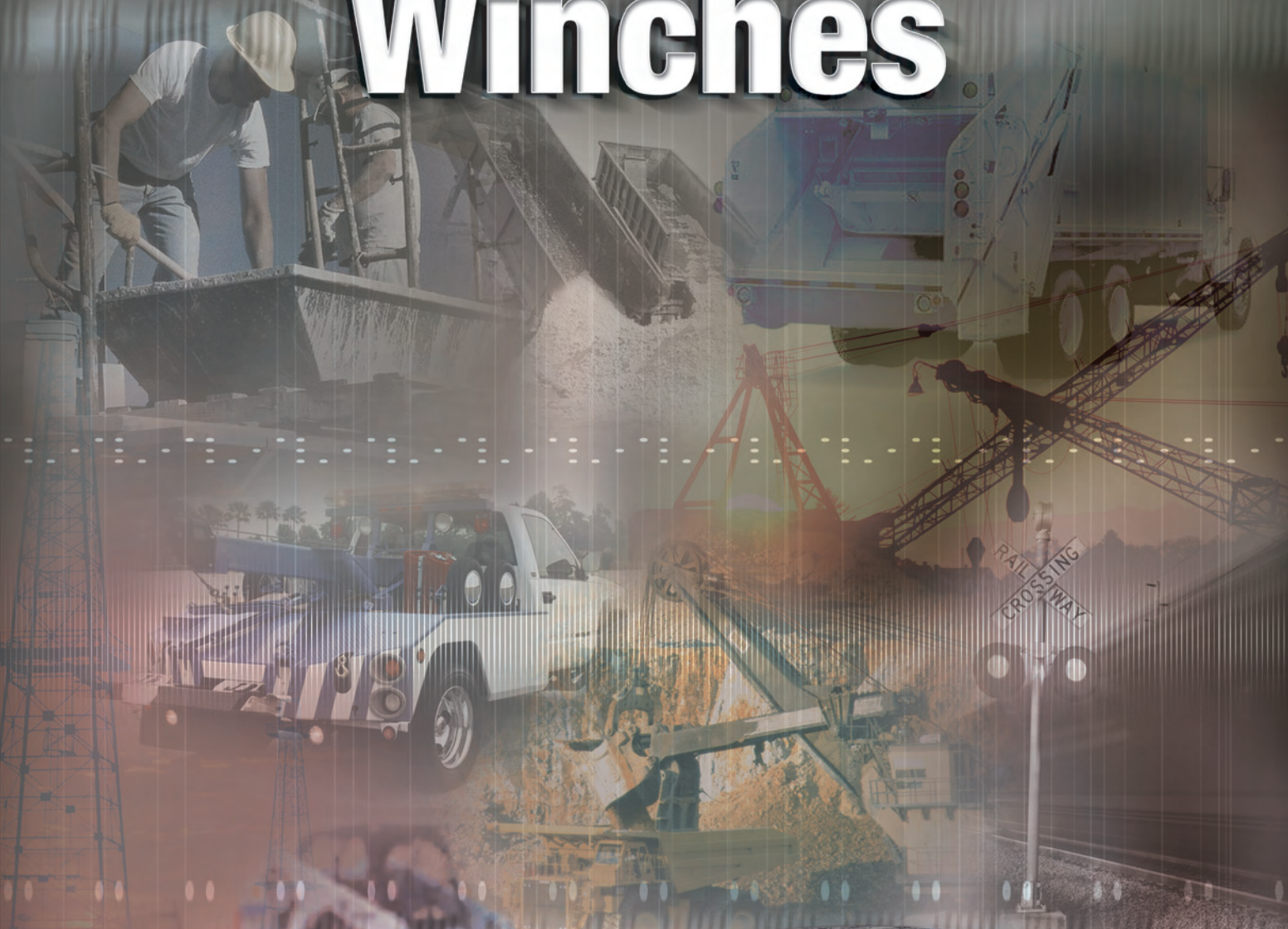


Hydraulic Planetary Gear Winches



ramsey.com



CHOICE OF PROFESSIONALS



Table of Contents

Table of contents and limited warranty excerpt	2
Performance data table.....	3
HD-P 8,000 Series winches and HD-P 10,000 Series winches	4-5
RPH 12,000 Series winches and RPH 15,000 Series winches	6-7
RPH 20,000 Series winches and RPH 25,000 Series winches	8-9
RPH 30,000 Series winches and RPH 35,000 Series winches	10-11
RPH 45,000 Series winches and RPH 50,000 Series winches	12-13
Options for RPH Series: Planetary Hydraulic winches	14-15

How to Select a Winch

1. Determine the line pull required.
2. Determine the size (diameter) and length of cable required.
3. Where will the line load occur—on the first layer of cable on the drum barrel? The second? The third? Refer to the Line Pull and Cable Capacity Per Layer charts in Ramsey performance data on page 3 to determine the proper size winch to meet these line size, length and load requirements.
4. Select the proper winch model and determine the first layer rating required (all performance charts in this brochure are based on the first layer line pull ratings. All winches are rated based on first layer).

EXAMPLE: Customer "A" has a load that requires a 14,000 lb. line pull and has selected 120 ft. of 9/16" cable as the optimum length covering most of his use. His design requires a Planetary Hydraulic winch.

Referring to the charts in the performance data, he notes that 120 ft. of 9/16" cable will build up to three layers on a RPH 20,000* and that the winch provides 14,700 lbs. maximum allowable line pull on the third layer.

The **first layer line pull rating** of the RPH 20,000 (20,000 lbs.) is now used by customer "A" to determine the hydraulic pressure (PSI) required to provide 14,000 lbs. pull on the 3rd layer as shown on the RPH 20,000 performance data in this manual.

Line speeds shown on the charts in the brochure are also based on the first layer.

(First layer line speeds are the slowest of any layer.)

*For performance using wire sizes other than the recommended size, contact the factory.

WARNING

Winches are not to be used to lift, support or otherwise transport personnel. A minimum of five (5) wraps of cable around the drum is necessary to support the rated load. Cable clamp is not designed to hold the load.

Limited Warranty Excerpt

Ramsey Winch warrants each new winch to be free from defects in workmanship for a period of one (1) year from date of purchase. The obligation under this warranty, statutory or otherwise, is limited to the replacement or repair at our factory of such part or parts as shall appear to us upon inspection to be defective in materials and workmanship. Complete warranty statement packed with each item.



Performance Data

Winch Rating (LBS)	Winch Model	Recommended Wire Rope Size (INCH) (MM)	Hydraulic Pressure Required For Rated Line Pull (PSI)	Hydraulic Flow Required For Rated Line Speed (GPM)	Gear Ratio	Weight without cable (LBS) (KGS)	1st Layer			2nd Layer			3rd Layer			4th Layer			5th Layer			6th Layer				
							Line Pull (LBS) (KGS)	Cable Cap. (Ft) (M)	Line Speed (FPM) (MPM)	Line Pull (LBS) (KGS)	Cable Cap. (Ft) (M)	Line Speed (FPM) (MPM)	Line Pull (LBS) (KGS)	Cable Cap. (Ft) (M)	Line Speed (FPM) (MPM)	Line Pull (LBS) (KGS)	Cable Cap. (Ft) (M)	Line Speed (FPM) (MPM)	Line Pull (LBS) (KGS)	Cable Cap. (Ft) (M)	Line Speed (FPM) (MPM)	Line Pull (LBS) (KGS)	Cable Cap. (Ft) (M)	Line Speed (FPM) (MPM)		
8,000	HD-P 8,000-S HD-P 8,000-Y	3/8 10	2500	15	5.1:1	82	25	50	6800	55	58	5900	90	67	5200	130	76	4700	170	84						
						37	7.0	15	16.0	35	17.6	27.0	39.0	39.0	51.0	51.0	51.0	51.0	51.0	51.0	51.0	51.0	51.0	51.0	51.0	51.0
						76	15	15.2	3080	10.0	2670	18.0	2350	25.0	2120	34.0	23.1	2120	34.0	2120	34.0	2120	34.0	2120	34.0	2120
10,000	HD-P 10,000-S HD-P 10,000-Y	7/16 11	2100	15	5.1:1	87	20	32	8300	50	38	7100	80	44	6200	115	51									
						40	6.0	9.8	3760	15.0	11.6	24.0	35.0	2810	22.0	15.0										
12,000	RPH 12,000	7/16 11	2500	15	5.1:1	110	12,000	20	32	10,000	50	38	8500	80	44	7500	115	51	6600	160	57					
						50	5440	6.0	9.7	4530	15.0	11.5	3850	24.0	13.4	3400	35.0	15.5	2990	48.0	17.3					
* 15,000	RPH 15,000	1/2 13	2400	15	7.7:1	300	15,000	35	25	12,600	75	29	10,800	125	34	9500	180	39	8500	240	44	7600	310	48		
						136	6800	10.0	7.6	5710	22.0	8.8	4890	38.0	10.3	4300	54.0	11.8	3850	73.0	13.4	3440	94.0	14.6		
* 20,000	RPH 20,000	9/16 14	2500	15	25.53:1	375	20,000	35	26	16,900	85	30	14,700	135	35	13,000	195	39	11,600	265	44					
						170	9070	10.0	7.9	7660	25.0	9.1	6660	41.0	10.6	5890	59.0	11.8	5260	80.0	13.4					
* 25,000	RPH 25,000	5/8 16	3000	15	25.53:1	380	25,000	35	27	20,800	75	31	17,900	125	36	15,600	185	41	13,900	245	46					
						172	11,340	10.0	8.3	9430	22.0	9.5	8110	38.0	11.1	7070	56.0	11.8	6300	74.0	14.0					
* 30,000	RPH 30,000	5/8 16	2800	15	31.89:1	486	30,000	30	19	25,200	75	23	21,700	120	26	19,100	175	29	17,000	235	33	15,400	300	36		
						220	13,605	9.0	5.7	11,430	22.0	7.0	9840	36.0	7.9	8660	53.0	8.8	7700	71.0	10.0	6980	91.0	10.9		
* 35,000	RPH 35,000	3/4 19	2650	15	31.89:1	568	35,000	25	15	28,600	60	18	24,200	105	21	21,000	155	23	18,500	200	28					
						258	15,909	7.60	4.6	13,000	18.3	5.5	11,000	32.0	6.4	9545	47.2	7.0	8390	60.0	8.5					
* 45,000	RPH 45,000	3/4 19	2800	25	51.35:1	689	45,000	35	23	37,700	75	27	32,400	125	32	28,500	180	36	25,300	245	40	22,900	310	45		
						313	20,380	10.0	7.0	17,100	22.0	8.2	14,690	38.0	9.8	12,920	54.0	11.0	11,460	74.0	12.2	10,380	94.0	13.7		
* 50,000	RPH 50,000	7/8 22	3000	25	51.35:1	689	50,000	30	23	40,900	65	28	34,600	110	33	30,000	160	38	26,400	220	43					
						313	22,670	9.0	7.0	18,550	19.0	8.6	15,690	33.0	10.1	13,600	48.0	11.7	11,970	66.0	13.2					

* Last layer does not conform to SAE Standard J706.



HD-P 10,000



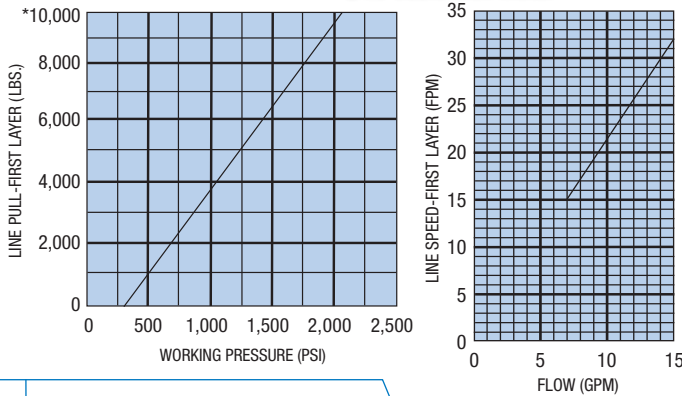
- Rated Line pull 10,000 lbs
- Available with air shift
- Recommended cable 7/16"
- Meets SAE J706
- Available with a Blocked Clutch
- Made in the USA

Applications

- Towing & Recovery
- Forestry
- Construction
- Petroleum
- Mining
- Refuse

Hydraulic Systems Performance

24.9 Cubic Inch Motor



Winch Dimensions

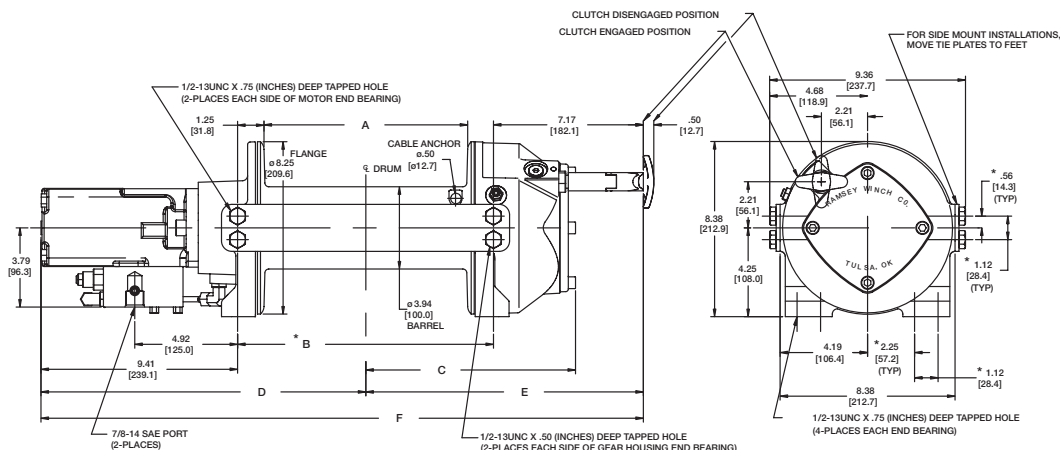
WINCH MODEL	A INCHES MM	B INCHES MM	C INCHES MM	D INCHES MM	E INCHES MM	F INCHES MM
HD-P 10,000 STD. DRUM	9.75 247,7	12.25 311,2	10.04 255,0	15.55 395,0	13.28 337,4	28.84 732,4
HD-P 10,000 "Y" DRUM	6.50 165,1	9.00 228,6	8.41 213,7	13.93 353,7	11.66 296,2	25.59 649,9

Specifications

Rated Line Pull	10,000 lbs.....(4,545 kgs)
Gear Reduction 5.1:1
Weight (without cable)	HD-P 10,000 STD87 lbs. (39.5 kgs) HD-P 10,000 "Y"82 lbs. (37.2 kgs)

LAYER OF CABLE		1	2	3	4
*RATED LINE PULL PER LAYER	Lbs.	10,000	8,300	7,100	6,200
	Kgs.	4,530	3,760	3,220	2,810
HD-P 10,000 (STD. DRUM)	Ft.	20	50	80	115
	M.	6.0	15.0	24.0	35
HD-P 10,000 ("Y" DRUM)	Ft.	15	30	55	75
	M.	4.0	9.0	16.0	22
*LINE SPEED (at 15 GPM)		FPM (MPM)	FPM (MPM)	FPM (MPM)	FPM (MPM)
		32 (9.8)	38 (11.6)	44 (13.4)	51 (15.5)

* These specifications are based on recommended wire rope of 7/16" (11mm) EIPS cable and a 24.9 cu.in./Rev. motor.



DIMENSIONS SHOWN ARE INCHES OVER MILLIMETERS

WINCH MOUNTING CAPSCREWS MUST MEET OR EXCEED SAE GRADE 5 SPECIFICATION

*NOTE: THESE HOLE LOCATIONS MUST BE HELD WITHIN ±.03" (0.8 MM) OF TRUE POSITION. RECOMMENDED MOUNTING HOLE DIAMETER IS .66" (16.8 MM).

RAMSEY WINCH

RPH 12,000



- Rated Line pull 12,000 lbs
- Meets SAE J706
- Recommended cable 7/16"
- Made in the USA
- Available with air shift

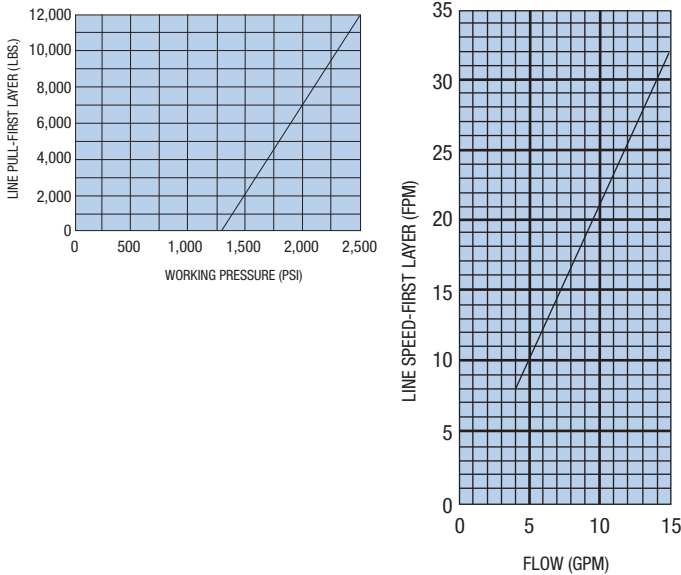


Applications

- Towing & Recovery
- Forestry
- Construction
- Petroleum
- Mining
- Refuse

Hydraulic Systems Performance

24.0 Cubic Inch Motor



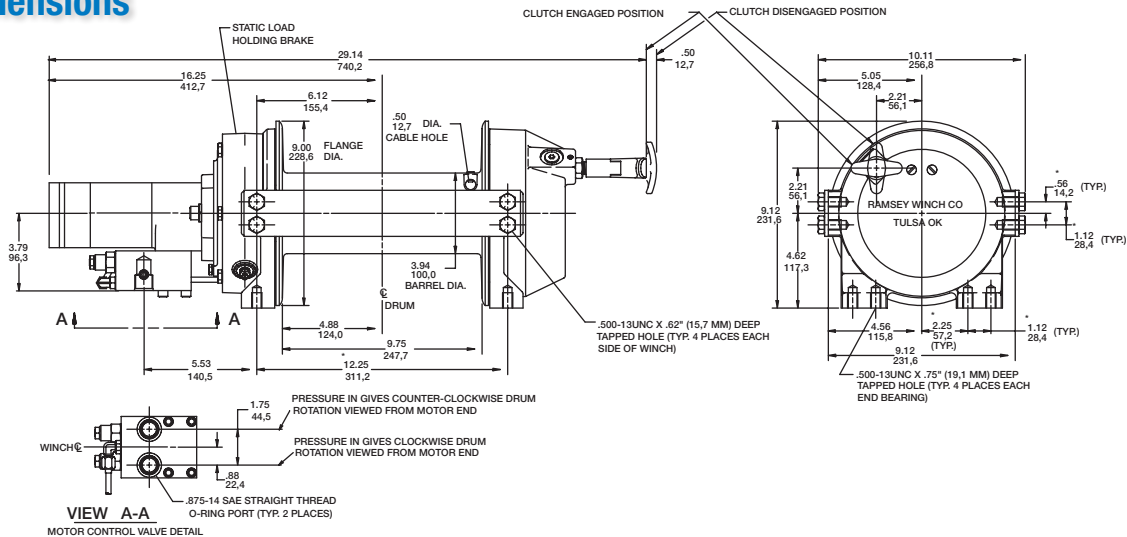
Specifications

Rated Line Pull	12,000 lbs..... (5,440 kgs)
Gear Reduction5.1:1
Weight (without cable)110 lbs. (50 kgs)

LAYER OF CABLE		1	2	3	4	5
*RATED LINE PULL PER LAYER	Lbs.	12,000	10,000	8,500	7,500	6,600
	Kgs.	5,440	4,530	3,850	3,400	2,990
CABLE CAPACITY	Ft.	20	50	80	115	160
	M.	6.0	15.0	24.0	35.0	48.0
LINE SPEED (at 15 GPM)	FPM (MPM)	32 (9.7)	38 (11.5)	44 (13.4)	51 (15.5)	57 (17.3)

* These specifications are based on recommended cable of 7/16" EIPS cable.

Winch Dimensions



DIMENSIONS SHOWN ARE INCHES OVER MILLIMETERS

WINCH MOUNTING CAPSCREWS MUST MEET OR EXCEED SAE GRADE 5 SPECIFICATION

*NOTE: THESE HOLE LOCATIONS MUST BE HELD WITHIN ±.03" (0.8 MM) OF TRUE POSITION. RECOMMENDED MOUNTING HOLE DIAMETER IS .53" (13.5 MM).

RAMSEY WINCH

RPH 15,000



- Rated Line pull 15,000 lbs
- Meets SAE J706
- Recommended cable 1/2" • Made in the USA
- Available with air shift

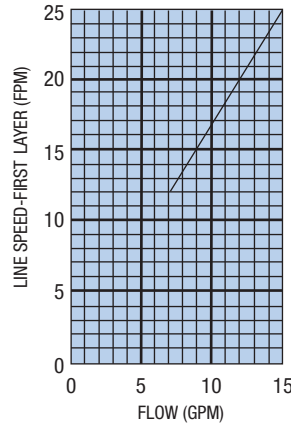
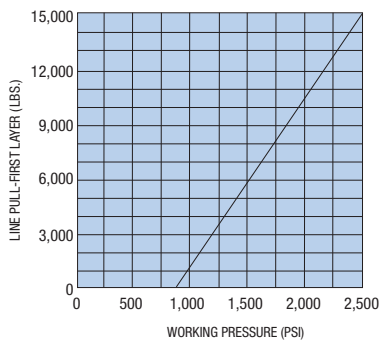


Applications

- Towing & Recovery
- Forestry
- Construction
- Petroleum
- Mining
- Refuse

Hydraulic Systems Performance

24.0 Cubic Inch Motor



Specifications

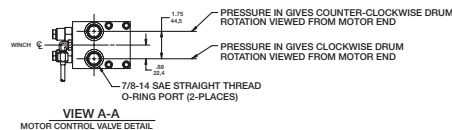
Rated Line Pull	15,000 lbs..... (6,800 kgs)
Gear Reduction 7.7:1
Weight (without cable)300 lbs. (136 kgs)

LAYER OF CABLE		1	2	3	4	5	6
*RATED LINE PULL PER LAYER	Lbs.	15,000	12,600	10,800	9,500	8,500	7,600
	Kgs.	6,800	5,710	4,890	4,300	3,850	3,440
**CABLE CAPACITY	Ft.	35	75	125	180	240	310
	M.	10.0	22.0	38.0	54.0	73.0	94.0
LINE SPEED (at 15 GPM)	FPM	25	29	34	39	44	48
	(MPM)	(7.6)	(8.8)	(10.3)	(11.8)	(13.4)	(14.6)

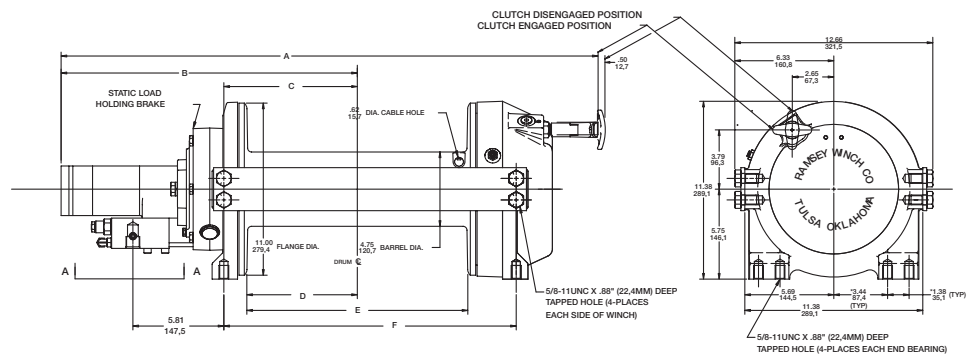
* These specifications are based on recommended cable of 1/2" EIPS cable.
 ** Last layer does not conform to SAE standard J706.

Winch Dimensions

DIM. LETTER	RPH 15,000-S ("STD." DRUM)	RPH 15,000-Y ("Y" DRUM)
A	34.32 871.7	29.07 738.3
B	18.93 480.8	16.37 415.7
C	8.53 216.7	5.97 151.6
D	7.06 179.3	4.50 114.3
E	14.12 358.6	9.00 228.6
F	18.69 474.7	13.56 344.4



* NOTE: THESE HOLE LOCATIONS MUST BE HELD WITHIN ±.03" (0.8 mm) OF TRUE POSITION. RECOMMENDED MOUNTING HOLE DIAMETER IS .66" (16.8 mm).



DIMENSIONS SHOWN ARE INCHES OVER MILLIMETERS

WINCH MOUNTING CAPSCREWS MUST MEET OR EXCEED SAE GRADE 5 SPECIFICATION

*NOTE: THESE HOLE LOCATIONS MUST BE HELD WITHIN ±.03" (0.8 MM) OF TRUE POSITION. RECOMMENDED MOUNTING HOLE DIAMETER IS .66" (16.8 MM).

RAMSEY WINCH

RPH 20,000



- Rated Line pull 20,000 lbs
- Meets SAE J706
- Recommended cable 9/16"
- Made in the USA

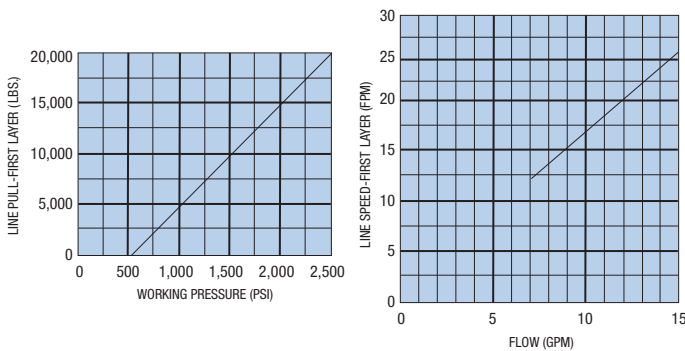


Applications

- Towing & Recovery
- Forestry
- Construction
- Petroleum
- Mining
- Refuse

Hydraulic Systems Performance

8.0 Cubic Inch Motor



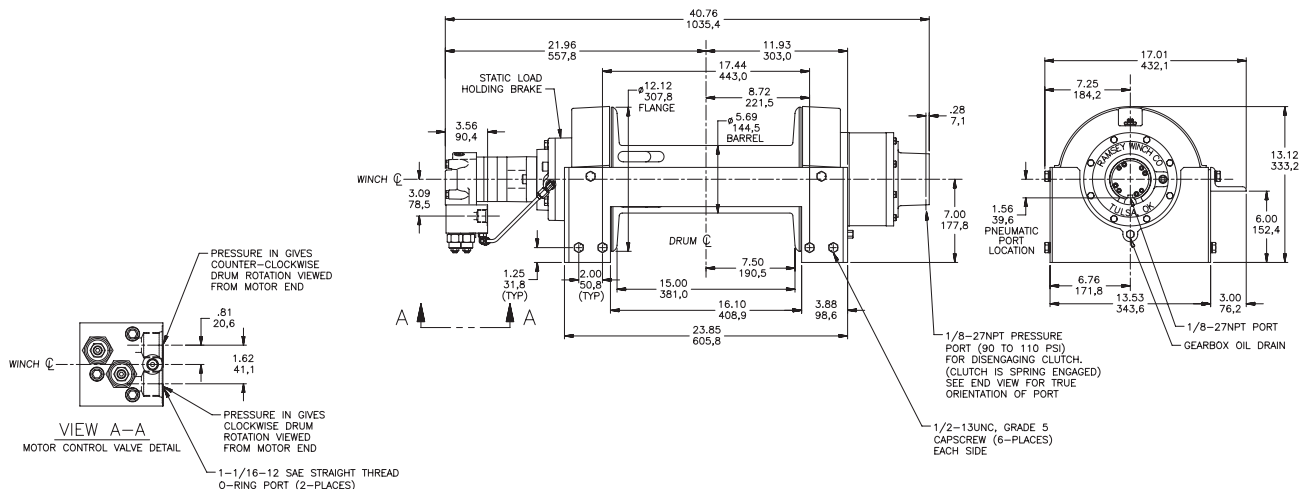
Specifications

Rated Line Pull	20,000 lbs..... (9,070 kgs)
Gear Reduction25.53:1
Weight (without cable)375 lbs. (170 kgs)

LINE SPEED (at 15 GPM)	1	2	3	4	5
*RATED LINE PULL PER LAYER	Lbs. 20,000 Kgs. 9,070	16,900 7,660	14,700 6,660	13,000 5,890	11,600 5,260
**CABLE CAPACITY	Ft. 35 M. 10.0	85 25.0	135 41.0	195 59.0	265 80.0
	FPM (MPM)	FPM (MPM)	FPM (MPM)	FPM (MPM)	FPM (MPM)
	26 (7.9)	30 (9.1)	35 (10.6)	39 (11.8)	44 (13.4)

* These specifications are based on recommended cable of 9/16" dia. EIPS cable.
 ** Last layer does not conform to SAE standard J706.

Winch Dimensions



DIMENSIONS SHOWN ARE INCHES OVER MILLIMETERS
 WINCH MOUNTING CAPSCREWS MUST MEET OR EXCEED SAE GRADE 5 SPECIFICATION



RPH 25,000



- Rated Line pull 25,000 lbs
- Meets SAE J706
- Recommended cable 5/8"
- Made in the USA

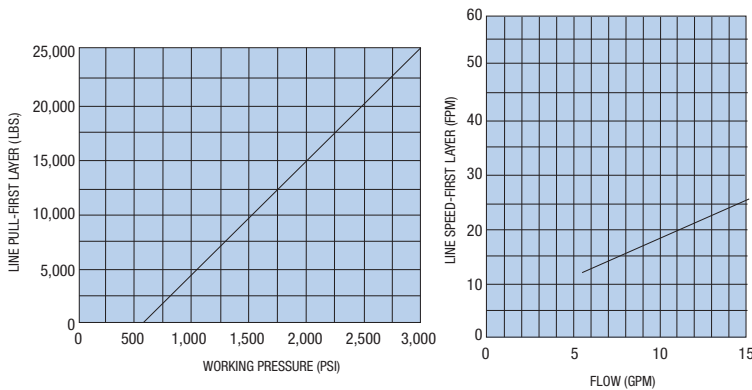


Applications

- Towing & Recovery
- Forestry
- Construction
- Petroleum
- Mining
- Refuse

Hydraulic Systems Performance

8.0 Cubic Inch Motor



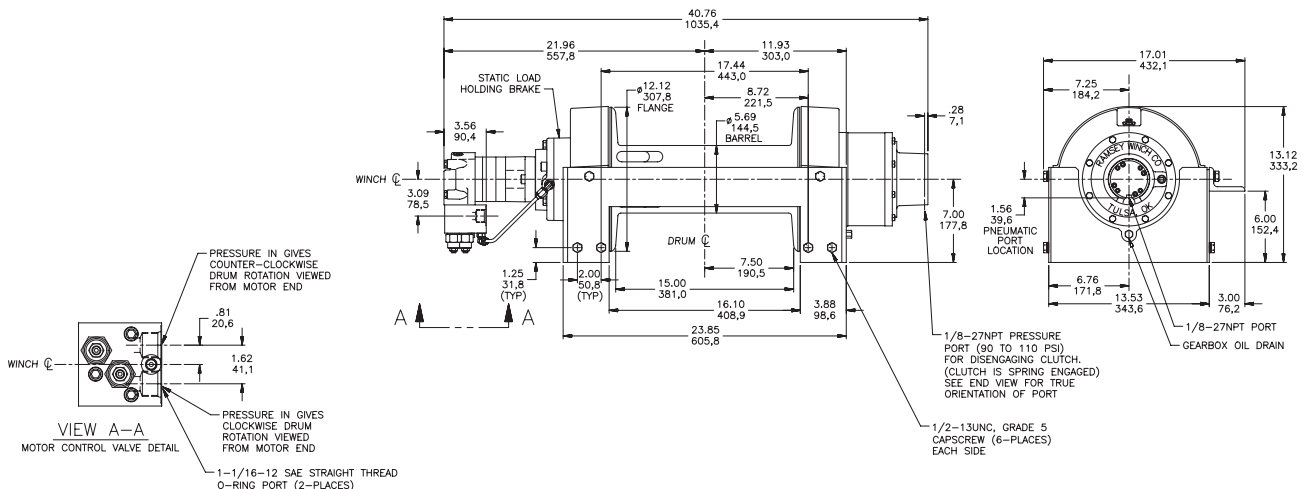
Specifications

Rated Line Pull	25,000 lbs.....(11,340 kgs)
Gear Reduction25.53:1
Weight (without cable)380 lbs. (172.0 kgs)

LAYER OF CABLE		1	2	3	4	5
*RATED LINE PULL PER LAYER	Lbs. Kgs.	25,000 11,340	20,800 9,430	17,900 8,110	15,600 7,070	13,900 6,300
**CABLE CAPACITY	Ft. M.	35 10.0	75 22.0	125 38.0	185 56.0	245 74.0
LINE SPEED (at 15 GPM)		FPM (MPM)	FPM (MPM)	FPM (MPM)	FPM (MPM)	FPM (MPM)
		27 (8.3)	31 (9.5)	36 (11.1)	41 (11.8)	46 (14.0)

* These specifications are based on recommended cable of 5/8" dia. EIPS cable.
 ** Last layer does not conform to SAE standard J706.

Winch Dimensions



DIMENSIONS SHOWN ARE INCHES OVER MILLIMETERS

RAMSEY WINCH

RPH 30,000



- Rated Line pull 30,000 lbs
- Meets SAE J706
- Recommended cable 5/8"
- Made in the USA

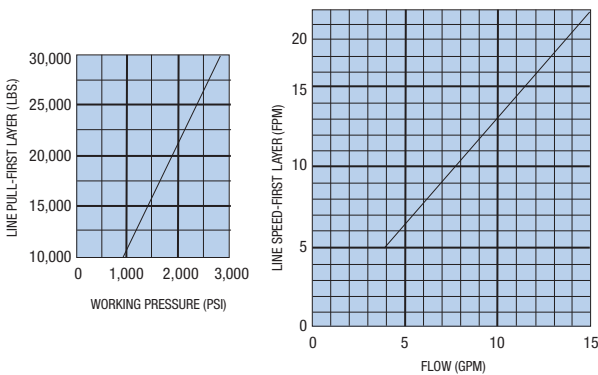


Applications

- Towing & Recovery
- Forestry
- Construction
- Petroleum
- Mining
- Refuse

Hydraulic Systems Performance

9.6 Cubic Inch Motor



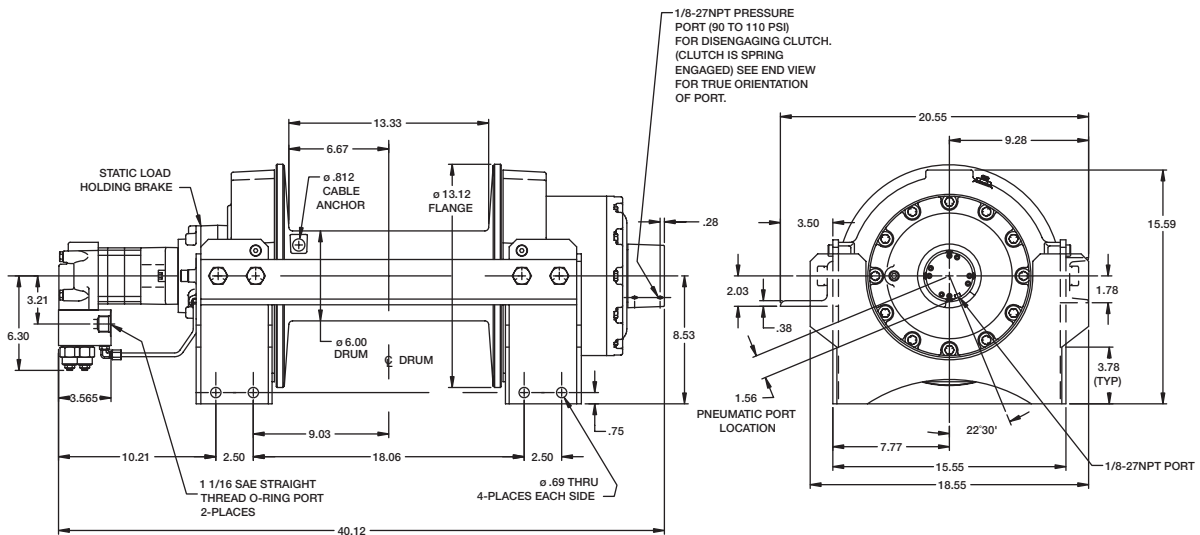
Specifications

Rated Line Pull	30,000 lbs.....(13,605 kgs)
Gear Reduction31.89:1
Weight (without cable)486 lbs. (220 kgs)

LAYER OF CABLE		1	2	3	4	5	6
*RATED LINE PULL PER LAYER	Lbs.	30,000	25,200	21,700	19,100	17,000	15,400
	Kgs.	13,605	11,430	9,840	8,660	7,700	6,980
CABLE CAPACITY	Ft.	30	75	120	175	235	300
	M.	9.0	22.0	36.0	53.0	71.0	91.0
LINE SPEED (at 15 GPM)	FPM (MPM)	19	23	26	29	33	36
		(5.7)	(7.0)	(7.9)	(8.8)	(10.0)	(10.9)

* These specifications are based on recommended cable 5/8" EIPS cable.
 **Last layer does not conform to SAE Standard J706

Winch Dimensions



DIMENSIONS SHOWN ARE INCHES OVER MILLIMETERS



RPH 35,000



- Rated Line pull 35,000 lbs
- Meets SAE J706
- Recommended cable 3/4"
- Made in the USA

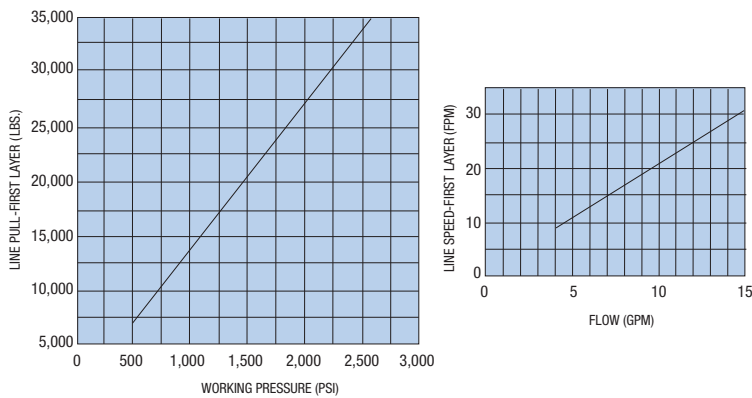


Applications

- Towing & Recovery
- Forestry
- Construction
- Petroleum
- Mining
- Refuse

Hydraulic Systems Performance

9.6 Cubic Inch Motor



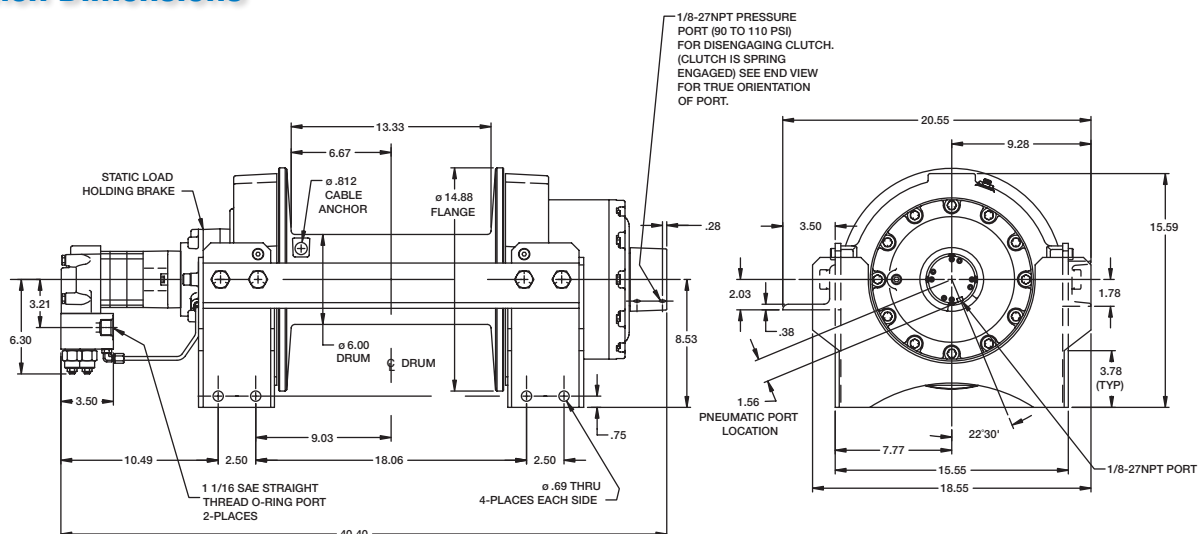
Specifications

Rated Line Pull	35,000 lbs.....(15,909 kgs)
Gear Reduction 31.89:1
Weight (without cable)568 lbs. (258 kgs)

LAYER OF CABLE		1	2	3	4	5
*RATED LINE PULL PER LAYER	Lbs.	35,000	28,600	24,200	21,000	18,500
	Kgs.	15,909	13,000	11,000	9,545	8,390
**CABLE CAPACITY	Ft.	25	60	105	155	200
	M.	7.6	18.3	32.0	47.2	60.0
LINE SPEED (at 15 GPM)		FPM (MPM)	FPM (MPM)	FPM (MPM)	FPM (MPM)	FPM (MPM)
		15 (4.6)	18 (5.5)	21 (6.4)	23 (7.0)	28 (8.5)

* These specifications are based on recommended cable 3/4". EIPS cable.
 ** Last layer does not conform to SAE standard J706.

Winch Dimensions



DIMENSIONS SHOWN ARE INCHES OVER MILLIMETERS

RAMSEY WINCH

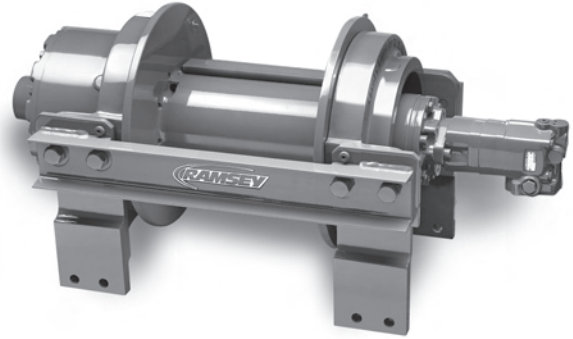
RPH 45,000



- Rated Line pull 45,000 lbs
- Meets SAE J706
- Recommended cable 3/4"
- Made in the USA

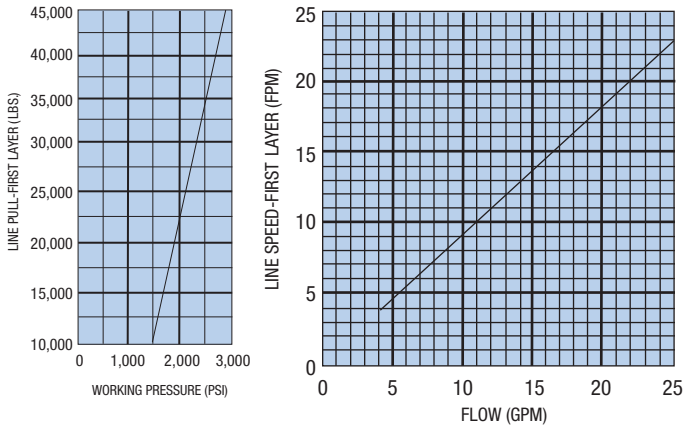
Applications

- Towing & Recovery
- Forestry
- Construction
- Petroleum
- Mining
- Refuse



Hydraulic Systems Performance

9.6 Cubic Inch Motor



Specifications

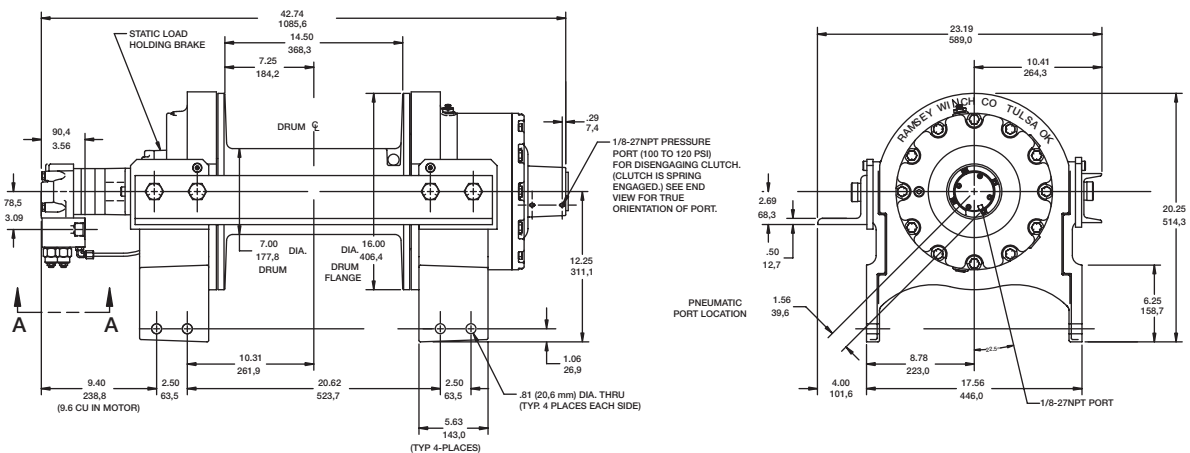
Rated Line Pull	45,000 lbs.....(20,380 kgs)
Gear Reduction51.35:1
Weight (without cable)689 lbs. (313 kgs)

LAYER OF CABLE		1	2	3	4	5	6
*RATED LINE PULL PER LAYER	Lbs. Kgs.	45,000 20,380	37,700 17,100	32,400 14,690	28,500 12,920	25,300 11,460	22,900 10,380
**CABLE CAPACITY	Ft. M.	35 10.0	75 22.0	125 38.0	180 54.0	245 74.0	310 94.0
*LINE SPEED (at 25 GPM)	FPM (MPM)	23 (7.0)	27 (8.2)	32 (9.8)	36 (11.0)	40 (12.2)	45 (13.7)

* These specifications are based on recommended cable of 3/4" EIPS cable.

**Last layer does not conform to SAE J706

Winch Dimensions



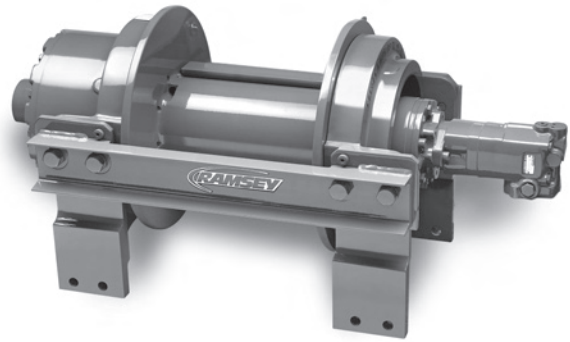
DIMENSIONS SHOWN ARE INCHES OVER MILLIMETERS



RPH 50,000



- Rated Line pull 50,000 lbs
- Meets SAE J706
- Recommended cable 7/8"
- Made in the USA

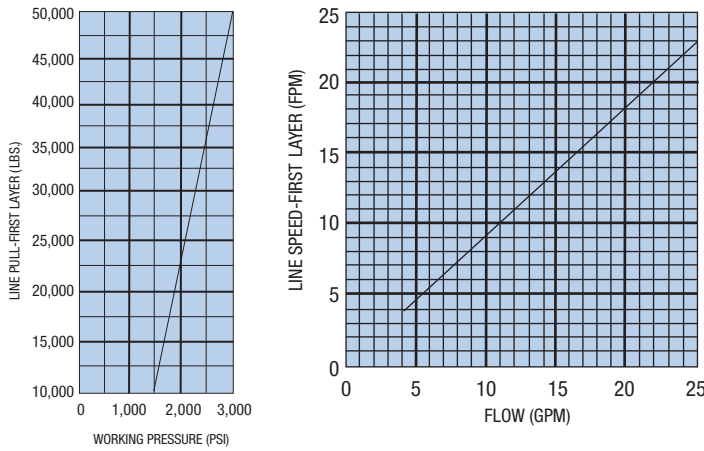


Applications

- Towing & Recovery
- Forestry
- Construction
- Petroleum
- Mining
- Refuse

Hydraulic Systems Performance

9.6 Cubic Inch Motor



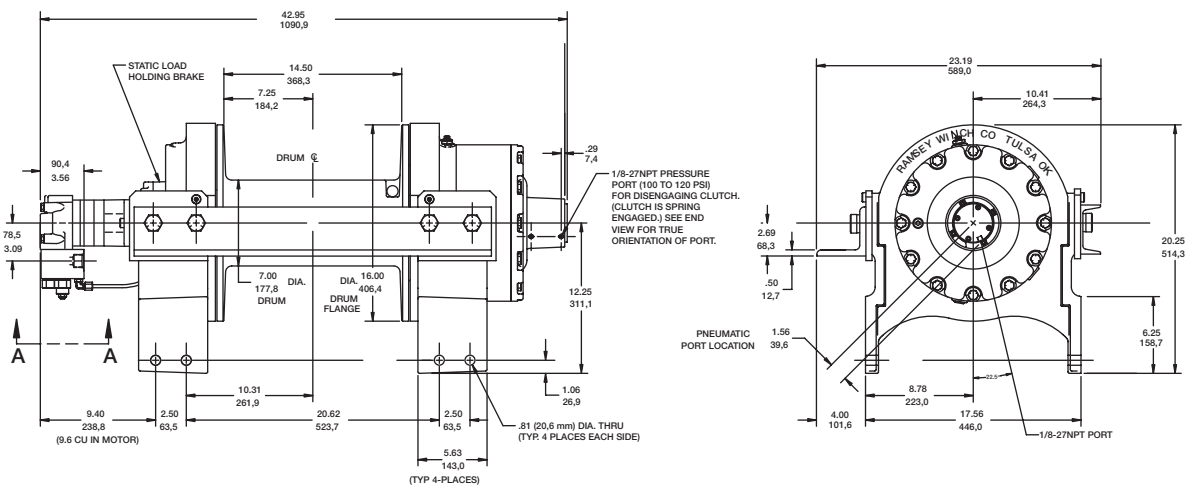
Specifications

Rated Line Pull	50,000 lbs.....(22,670 kgs)
Gear Reduction 51.35:1
Weight (without cable)689 lbs. (313 kgs)

LAYER OF CABLE		1	2	3	4	5
*RATED LINE PULL PER LAYER	Lbs.	50,000	40,900	34,600	30,000	26,400
	Kgs.	22,670	18,550	15,690	13,600	11,970
**CABLE CAPACITY	Ft.	30	65	110	160	220
	M.	9.0	19.0	33.0	48.0	66.0
*LINE SPEED (at 25 GPM)	FPM (MPM)	23 (7.0)	28 (8.6)	33 (10.1)	38 (11.7)	43 (13.2)

* These specifications are based on recommended cable 7/8" EIPS cable.
 **Last layer does not conform to SAE Standard J706

Winch Dimensions

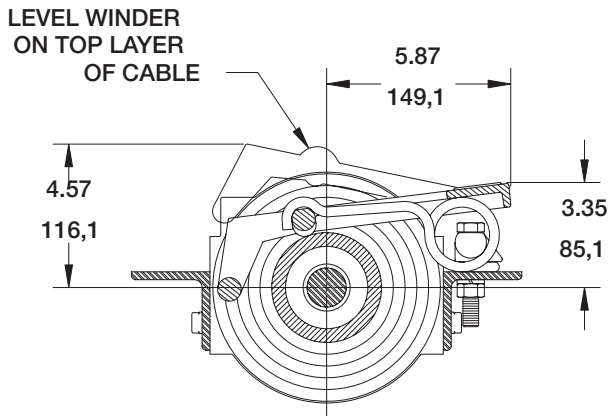


DIMENSIONS SHOWN ARE INCHES OVER MILLIMETERS

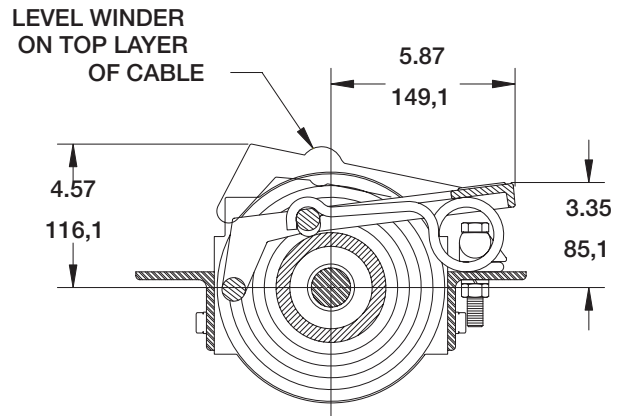


Options For Ramsey
RPH Series: Planetary Hydraulic Winches

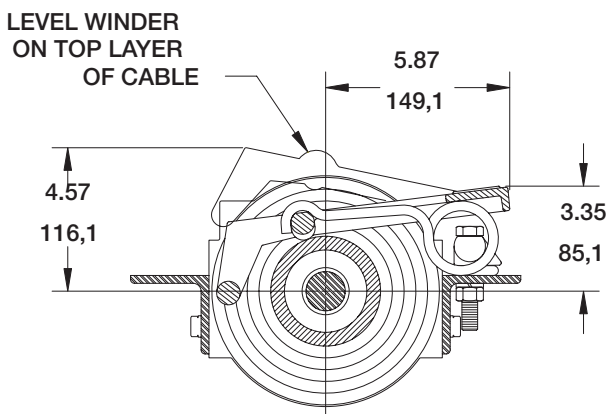
Model-2 Level Winder for
HD-P 8000Y and HD-P 10000Y
(6 1/2" DRUM) KIT #256052



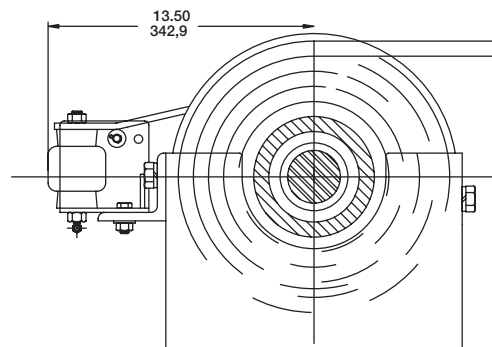
Model-3 Level Winder for
HD-P 8000S and HD-P 10000S
(9 3/4" DRUM) KIT #256078



Model-5 Level Winder
for RPH 12000
(9 3/4" DRUM) KIT #256082

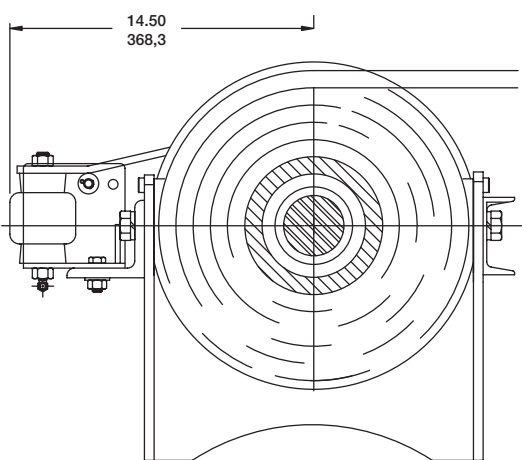


Air Cable Tensioner For
RPH 20000 and RPH 25000 (15" DRUM)
KIT #256086 Overwound and Underwound
KIT #256087

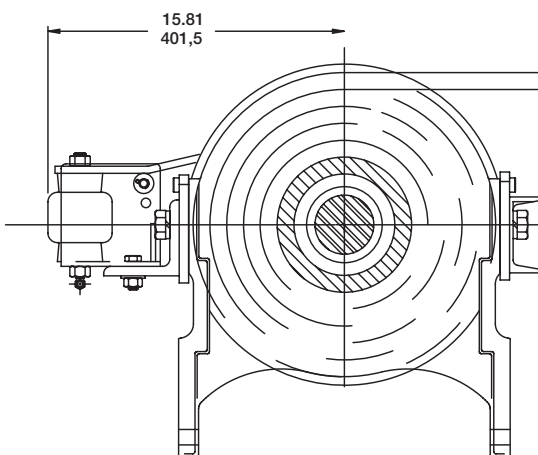




**Air Cable Tensioner For RPH 30000 winches and RPH 35,000 winches
KIT #256088 Overwind and
KIT #256089 Underwind**



**Air Cable Tensioner For RPH 45000 and RPH 50000 (14 1/2" DRUM)
KIT #256090 Overwound and Underwound
KIT #256091**



**Roller Guide for Model-1
Level Winder #256049**

**Roller Guide for Model-2
Level Winder #256053**

**Roller Guide for Model-3
Level Winder #256079**



P.O. Box 581510 • Tulsa, OK 74158-1510 U.S.A • Phone: (918) 438-2760 • Fax: (918) 438-6688

For more information visit:

ramsey.com

