

**Adjustable Trash Can/
Bucket Mount
ITD1598
OPERATIONS MANUAL**



**208-587-7960
www.InTheDitch.com**

Below is a list of parts you will need to install an ITD1598 Adjustable Trash Can/ Bucket Mount. Mounting hardware is NOT included with product.

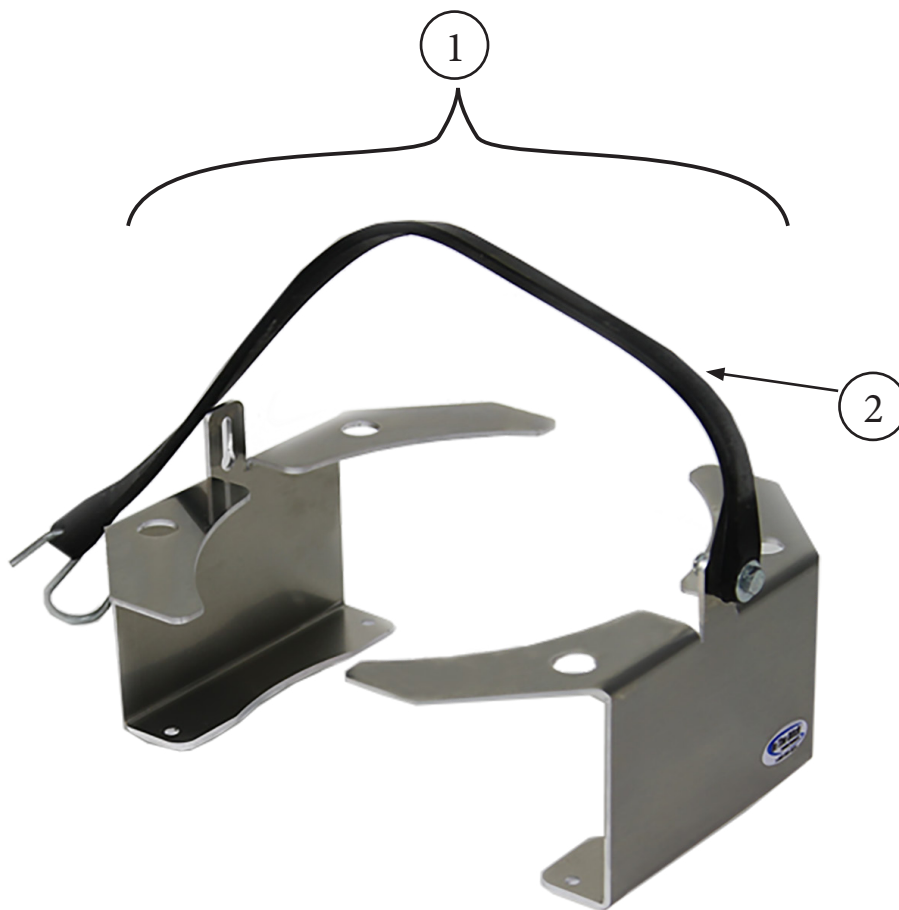
Recommended Mounting Hardware

(4) 1/4" Bolts or Rivets (Length varies due to mounting location)

(4) 1/4" Nylock Nuts

(8) 1/4" Flat Washers

| ITEM# | QTY | DESCRIPTION | PART # |
|-------|-----|------------------------------------|---------|
| 1 | 1 | Adjustable Trash Can/ Bucket Mount | ITD1598 |
| 2 | 1 | 21" Bungee Chord | ITD2150 |



WARNING

Follow all State, Local and Federal regulations regarding cargo securement



WARNING

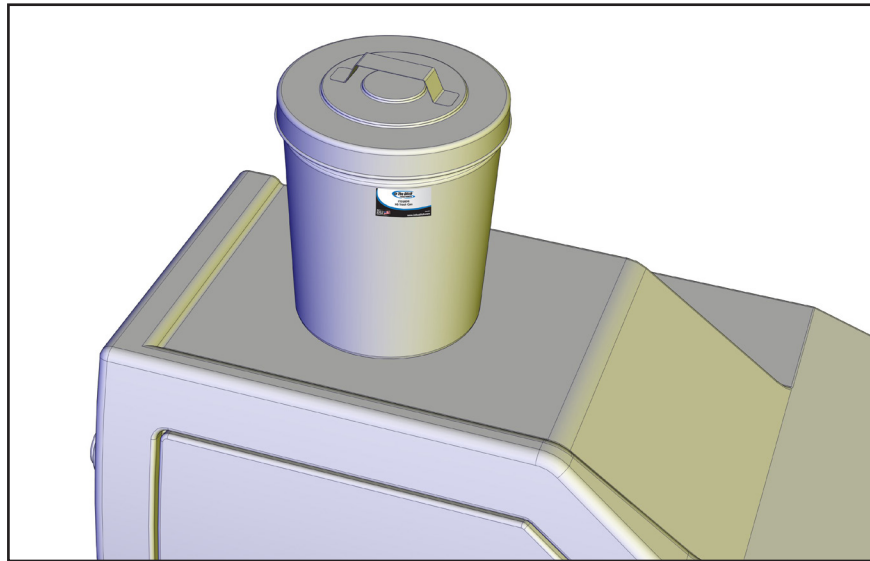


Read all safety warnings & instructions carefully before mounting or operating your mount



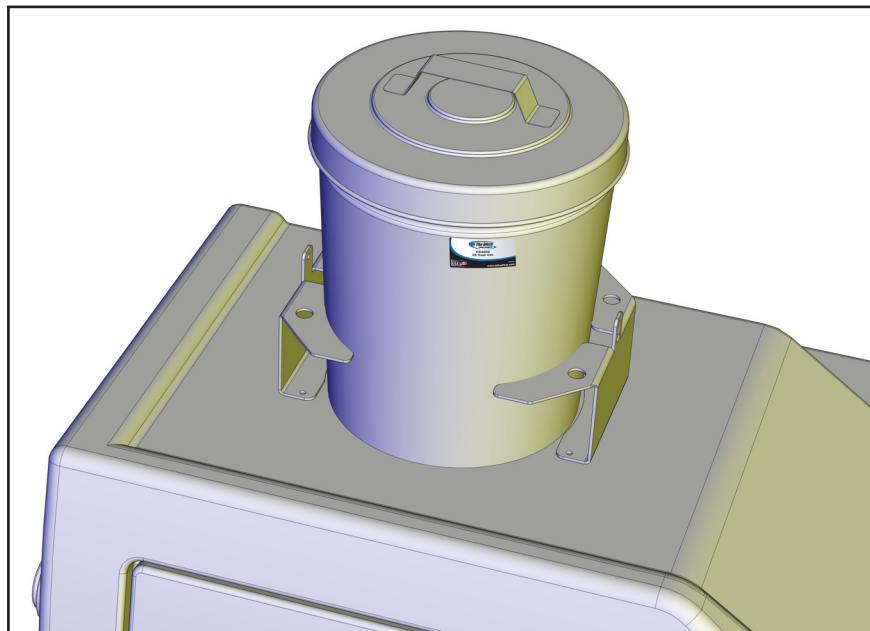
1. Find Mounting Location

Place the Trash Can or Bucket on desired location. Make sure mount is installed in a safe location to prevent secondary damage in the event of an accident. ITD recommends only using ITD Trash Cans.



2. Place Adjustable Trash Can/ Bucket Mount

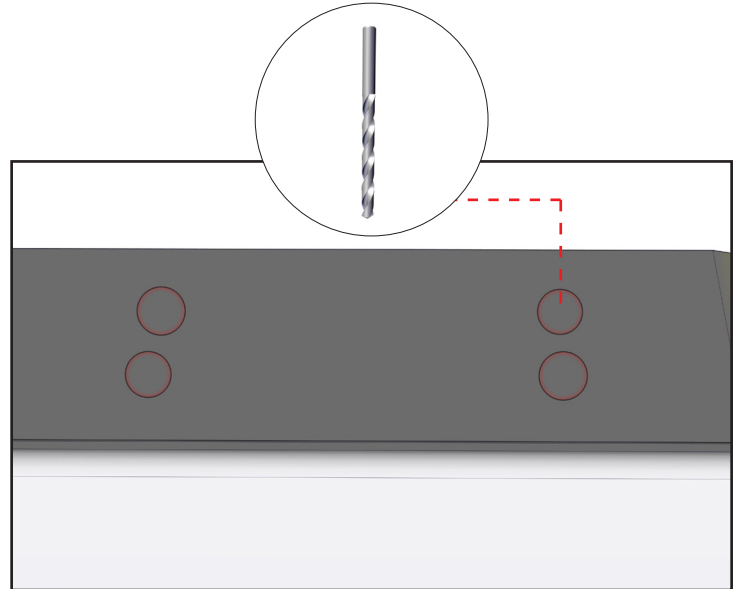
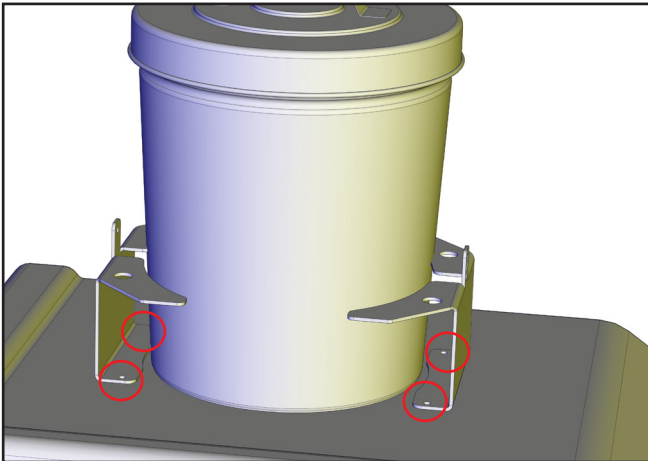
Place the Adjustable Trash Can/ Bucket Mount on the desired location



3. Mark and Drill the Mount Hole Locations

Mark the mount hole locations of the ITD1598 Adjustable Trash Can/ Bucket Mount

Drill 1/4" holes on the mount locations

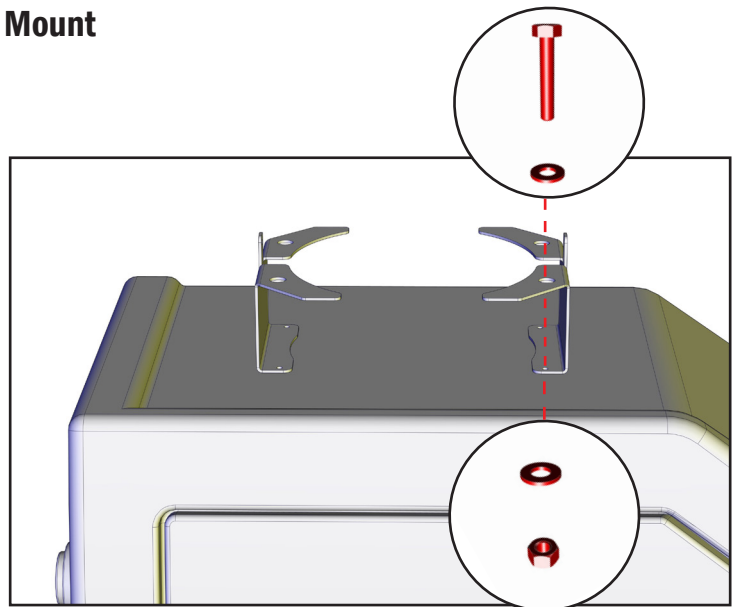


4. Mount the ITD1598 Adjustable Trash Can/ Bucket Mount

Mount the ITD1598 Adjustable Trash Can/ Bucket Mount with the recommended hardware.

Recommended Mounting Hardware (Not Included)

- (4) 1/4" Bolts or Rivets
(Length varies due to mounting location)
- (4) 1/4" Nylock Nuts
- (8) 1/4" Flat Washers



WARNING

Inspect and re-tighten after the first 10 uses

