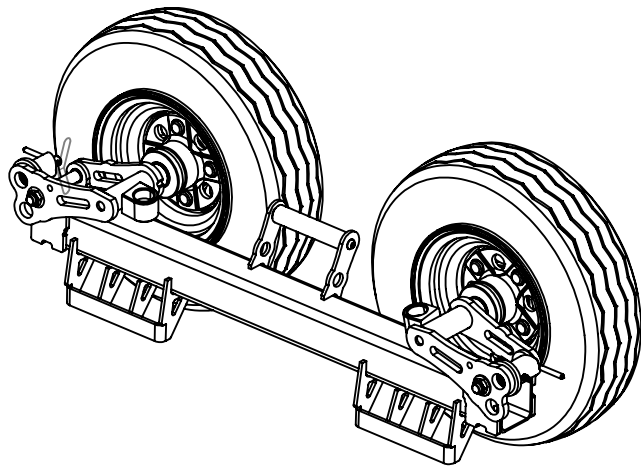
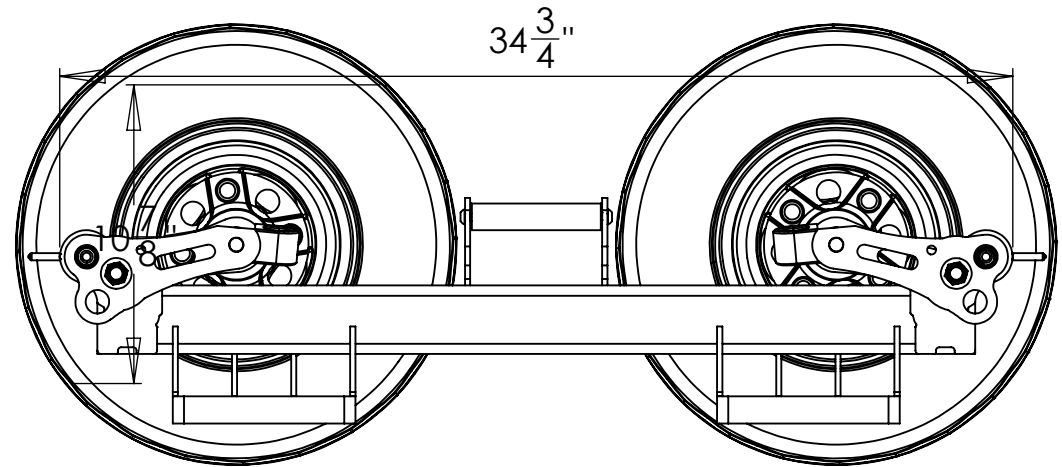
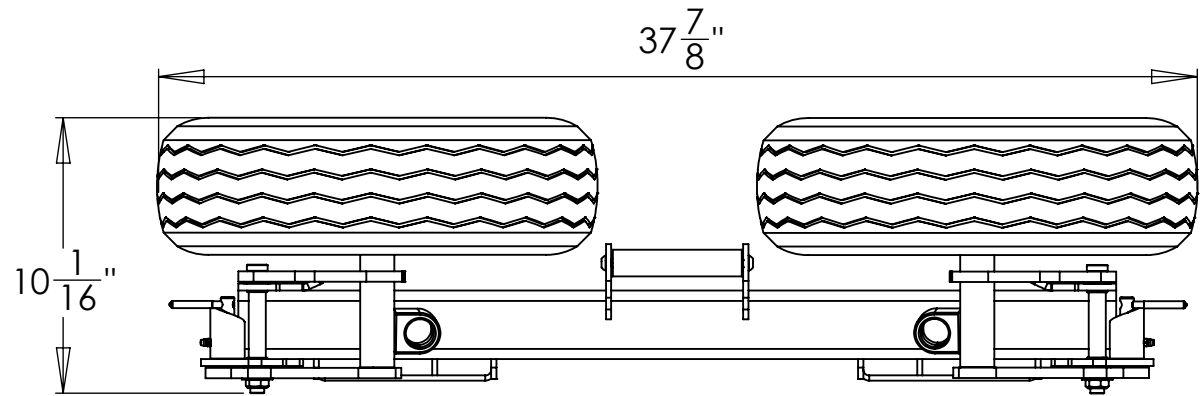


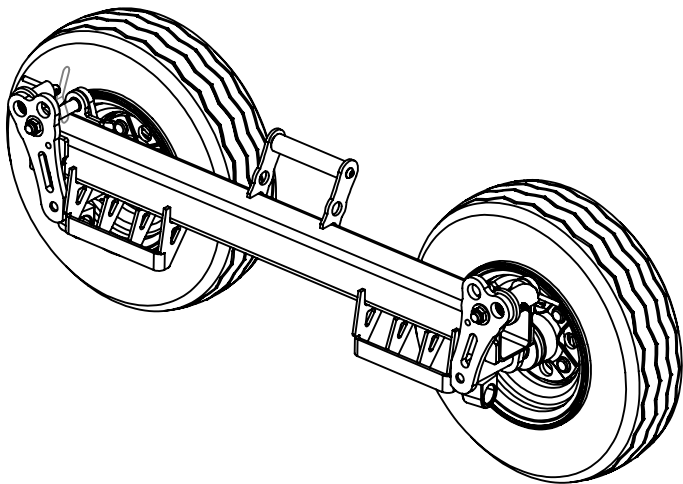
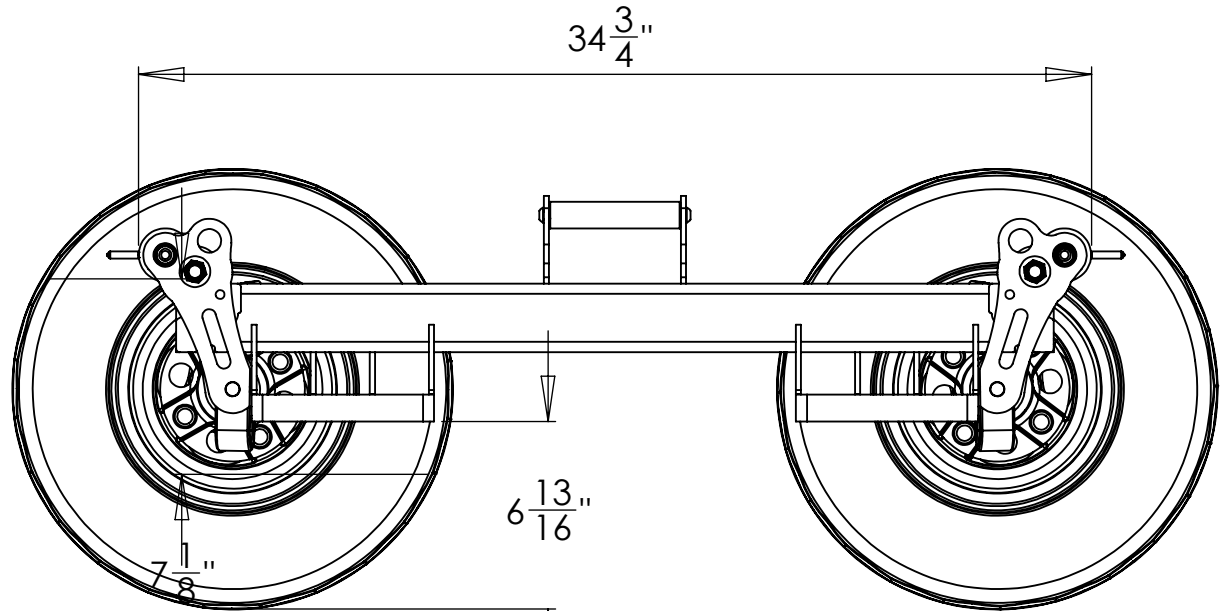
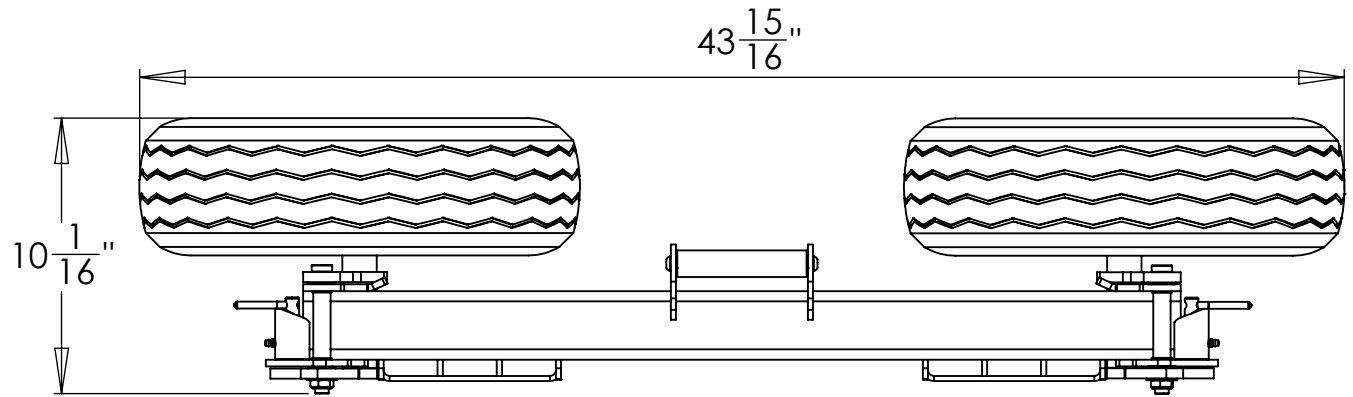
REV.	DESCRIPTION	DATE	APPROVED
------	-------------	------	----------



DRAWN BY: CJS    DRAWN DATE: 1/9/2019  
 UNLESS OTHERWISE SPECIFIED:  
 DIMENSIONS ARE IN INCHES  
 TOLERANCES:  
 FRACTIONAL ± 1/16"  
 ANGULAR: MACH ± 0.25° BEND ± 1.5°  
 TWO PLACE DECIMAL ± 0.020"  
 THREE PLACE DECIMAL ± 0.005"  
 MATERIAL:  
 DO NOT SCALE DRAWING

**Inventive LLC**  
 In The Ditch Towing Products  
 DESCRIPTION eXtended Life (XL)  
 Speed Dolly  
 SIZE PART NO. **A** ITD1778  
 SHEET SCALE 1:10    SHEET 1 of 2

REV.	DESCRIPTION	DATE	APPROVED
------	-------------	------	----------



DRAWN BY: CJS    DRAWN DATE: 1/9/2019  
 UNLESS OTHERWISE SPECIFIED:  
 DIMENSIONS ARE IN INCHES  
 TOLERANCES:  
 FRACTIONAL  $\pm 1/16$ "  
 ANGULAR: MACH  $\pm 0.25^\circ$  BEND  $\pm 1.5^\circ$   
 TWO PLACE DECIMAL  $\pm 0.020$ "  
 THREE PLACE DECIMAL  $\pm 0.005$ "  
 MATERIAL:  
 DO NOT SCALE DRAWING

**Inventive LLC**  
 In The Ditch Towing Products  
 DESCRIPTION eXtended Life (XL)  
 Speed Dolly  
 SIZE PART NO. **A** ITD1778    REV  
 SHEET SCALE 1:10    SHEET 2 of 2