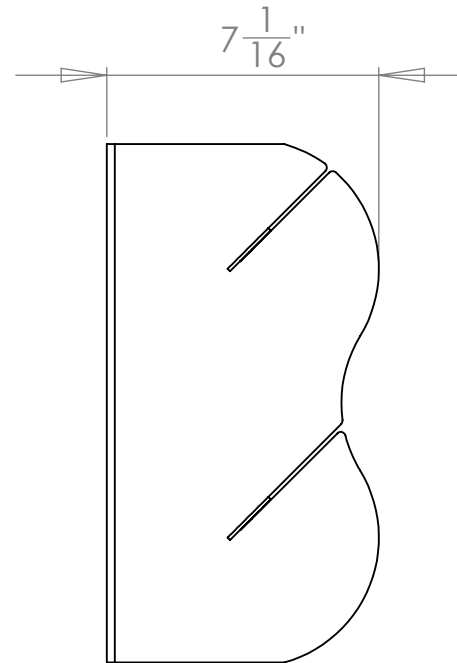
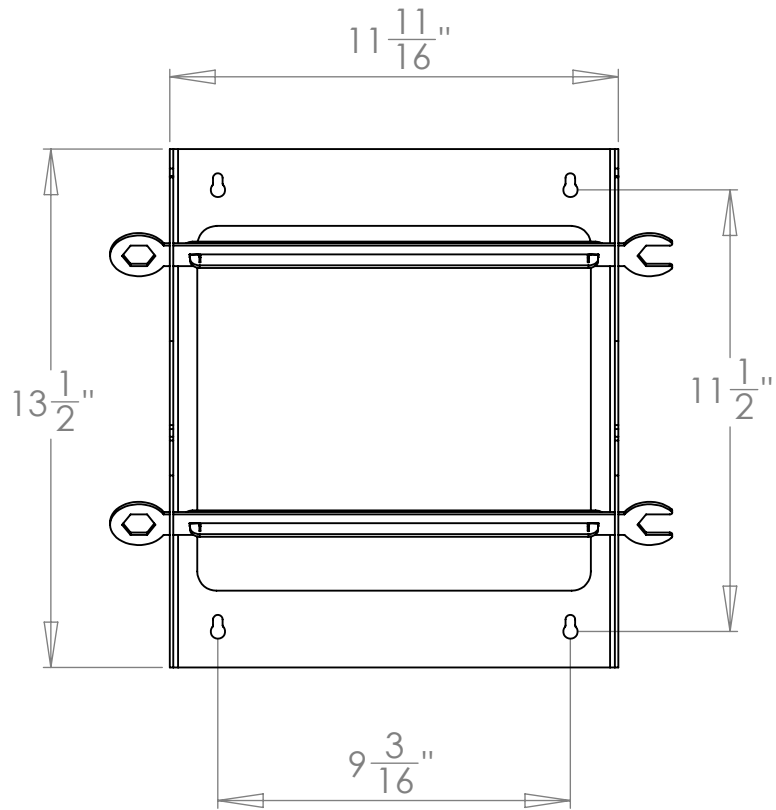


REV.	DESCRIPTION	DATE	APPROVED
------	-------------	------	----------



.090" 5052 Aluminum Sheet

DRAWN BY: KBH DRAWN DATE: 7/31/2012	Inventive LLC In The Ditch Towing Products	
UNLESS OTHERWISE SPECIFIED:		
DIMENSIONS ARE IN INCHES TOLERANCES: FRACTIONAL $\pm 1/16"$ ANGULAR: MACH $\pm 0.25^\circ$ BEND $\pm 1.5^\circ$ TWO PLACE DECIMAL $\pm 0.020"$ THREE PLACE DECIMAL $\pm 0.005"$		
MATERIAL: See BOM	A SIZE PART NO. ITD1296	
DO NOT SCALE DRAWING	SHEET SCALE 1:5	SHEET 1 of 1

5

4

3

2

1