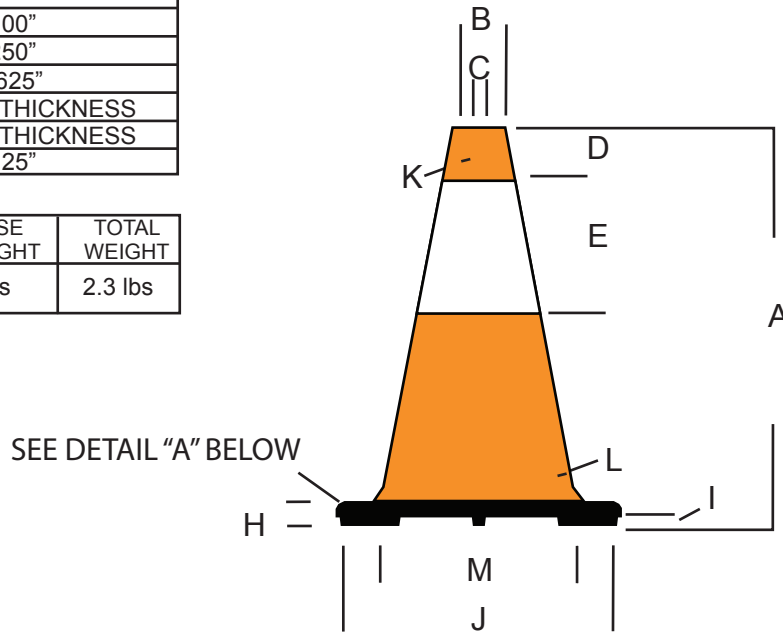


DIMENSIONS

A	12.00"
B	1.75"
C	1.6875" DIAMETER
D	3"
E	4"
F	
G	
H	1.00"
I	.250"
J	8.625"
K	.10" WALL THICKNESS
L	.18" WALL THICKNESS
M	6.25"

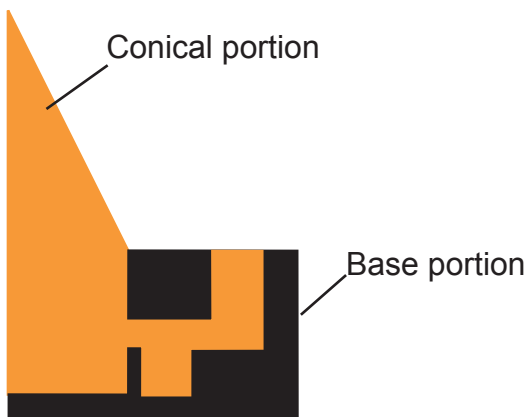
CONE SIZE	BASE WEIGHT	TOTAL WEIGHT
12"	lbs	2.3 lbs



Notes:

Conical section manufactured from 100% recyclable fluorescent orange PVC

Base manufactured from 100% post industrial recycled black PVC



Circle Interlock System
DETAIL "A"

	12" TRAFFIC CONE WIDE BODY RS30008C+3M4MINI	
	JBC SAFETY PLASTIC INC. 16750 CHESTNUT ST INDUTRY CA. 91748 www.jbcsafety.com	
Date 9/5/12	REVOLUTION SERIES	DWG. NO. RS30008C+3M4MINI