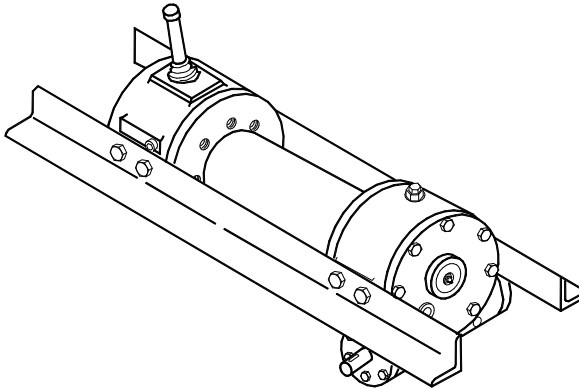




Ramsey Winch Company
OWNER'S MANUAL
MODEL 800 / H-800 SERIES
DOW-LOK® EQUIPPED
INDUSTRIAL LOW-MOUNT WINCHES



English1
 Français26
 Deutsch51
 Español76

* **SPECIFICATIONS:** Conforms to SAE J706**

Rated Line Pull (lbs.)		20,000					
(kg)		9,060					
Gear Reduction		40:1					
Shipping Weight:	800	Y-800	H-800	HY-800			
	315 lbs. (143 Kg)	290 lbs (132 Kg)	330 lbs. (150 Kg)	325 lbs. (148 Kg)			
Layer of Cable		1	2	3	4	5**	
* Rated line pull per layer	(lbs.)	20,000	16,600	14,200	12,400	11,000	
	(kg)	9,060	7,510	6,430	5,610	4,980	
* Cable Capacity 800 / H-800	(ft)*	35	75	125	180	240	
	(m)*	10	22	38	54	72	
* Cable Capacity Y-800 / HY-800	(ft)*	20	45	75	110	150	
	(m)*	6	13	22	33	45	
* Line speed	RPM						
800	570	FPM	22	27	32	35	40
		MPM	6.6	8.1	9.7	10.9	12.3
H-800	460 30 GPM	FPM	18	22	26	29	33
		MPM	5.4	6.6	7.9	8.8	10.0

* These specifications are based on recommended wire rope of .63 inch (16mm) diameter 6x19 EIPS Cable

** Fifth layer does not conform to SAE J706

Note: The rated line pulls shown are for the winch only. Consult wire rope manufacturer for wire rope ratings.

Congratulations

Ramsey Winches are designed and built to exacting specifications. Great care and skill go into every winch we make. If the need should arise, warranty procedure is outlined on the back of your self-addressed postage paid warranty card. Please read and fill out the enclosed warranty card and send it to Ramsey Winch Company. If you have any problems with your winch, please follow instructions for prompt service on all warranty claims.



CAUTION: READ AND UNDERSTAND THIS MANUAL BEFORE INSTALLATION AND OPERATION OF WINCH. SEE WARNINGS!

Ramsey Winch Company
 P.O. Box 581510 - Tulsa, OK 74158-1510 USA
 Phone: (918) 438-2760 - Fax (918) 438-6688
 Visit us at <http://www.ramsey.com>

TABLE OF CONTENTS

INTRODUCTION	1
SPECIFICATION	1
WARNINGS	3
TECHNIQUES OF OPERATION	3
WINCH MOUNTING	4
CABLE INSTALLATION	4
WINCH MAINTENANCE	4
PERFORMANCE CHARTS	5
TYPICAL LAYOUT/HYD. SYSTEM DIAGRAM	5
TROUBLE SHOOTING GUIDE	6
ADJUSTMENT OF CLUTCH AIR SHIFTER	6
ADJUSTING THE OIL COOLED SAFETY BRAKE	7
SERVICING OF THE OIL COOLED SAFETY BRAKE	7
RE-ASSEMBLING AND CHECKING THE BRAKE	8
TEST FOR PROPER BRAKE ASSEMBLY	8
INSTRUCTIONS FOR CHECKING ASSEMBLY ARRANGEMENT AND SETTING OF WORM BRAKE	8
INSTRUCTIONS FOR OVERHAUL OF RAMSEY MODEL 800/H-800 SERIES DOW-LOK® WINCHES	
DISASSEMBLY	9-11
REASSEMBLY	11-13
DIMENSIONAL DRAWINGS	14-17
PARTS LIST AND PARTS DRAWING	18-25

LIMITED WARRANTY

RAMSEY WINCH warrants each new RAMSEY Winch to be free from defects in material and workmanship for a period of one (1) year from date of purchase.

The obligation under this warranty, statutory or otherwise, is limited to the replacement or repair at the Manufacturer's factory, or at a point designated by the Manufacturer, of such part that shall appear to the Manufacturer, upon inspection of such part, to have been defective in material or workmanship.

This warranty does not obligate RAMSEY WINCH to bear the cost of labor or transportation charges in connection with the replacement or repair of defective parts, nor shall it apply to a product upon which repair or alterations have been made, unless authorized by Manufacturer, or for equipment misused, neglected or which has not been installed correctly.

RAMSEY WINCH shall in no event be liable for special or consequential damages. RAMSEY WINCH makes no warranty in respect to accessories such as being subject to the warranties of their respective manufacturers.

RAMSEY WINCH, whose policy is one of continuous improvement, reserves the right to improve its products through changes in design or materials, as it may deem desirable without being obligated to incorporate such changes in products of prior manufacture.

If field service at the request of the Buyer is rendered and the fault is found not to be with RAMSEY WINCH's product, the Buyer shall pay the time and expense to the field representative. Bills for service, labor or other expenses that have been incurred by the Buyer without approval or authorization by RAMSEY WINCH will not be accepted.

See warranty card for details.



Safety Precautions To Guard Against Possible Injury

- A. Clutch must be totally engaged before starting the winch operation.
- B. Do not disengage clutch under load.
- C. Stay out from under and away from raised loads.
- D. Stand clear of cable while pulling. Do not try to guide cable.
- E. Do not exceed maximum line pull ratings shown in specifications.
- F. Do not use winch to lift, support, or otherwise transport people.
- G. A minimum of 5 wraps of cable around the drum barrel is necessary to hold load. Cable set screw is not designed to hold load.

TECHNIQUES OF OPERATION

The best way to get acquainted with how your winch operates is to make test runs before you actually use it. Plan your test in advance. Remember, you hear your winch, as well as see it operate. Get to recognize the sounds of a light steady pull, a heavy pull, and sounds caused by load jerking or shifting. Gain confidence in operating your winch and its use will become second nature with you.

The uneven spooling of cable, while pulling a load, is not a problem, unless there is a cable pileup on one end of drum. If this happens reverse the winch to relieve the load and move your anchor point further to the center of the vehicle. After the job is done you can unspool and rewind for a neat lay of the cable.

The Dow-Lok® clutch provides free spooling and clutch engagement with the cable drum. With the clutch disengaged, the cable can be freespoiled off the drum. For winching in the load the clutch must be fully engaged with the drum.

The Dow-Lok® clutch is latched into either the engaged, "IN" position, or the disengaged "OUT" position, by a pin at the bottom of the shifter handle which fits into latching slots.

TO UNLATCH CLUTCH

Run winch in the reverse (reel out) direction until the load is off the cable, Grasp handle firmly and while pushing on the top of the handle with the thumb for leverage, lift until pin clears latching slots.

TO ENGAGE CLUTCH

Unlatch and pull handle toward "IN" position as far as it will go. In order to attain full engagement, internal elements of the clutch must be aligned. This alignment will take place when the cable drum or cable drum shaft turns a maximum of 1/4 revolution. The clutch will automatically spring into engagement and pin will drop into "IN" slots when this alignment takes place. **Do not attempt to lift a load unless pin is fully into "IN" slots. Keep clear of spring-loaded handle during automatic engagement.**

TO DISENGAGE CLUTCH

Unlatch and push handle to "OUT" position and fully insert pin into latching slots. **Do not disengage the clutch under load.**

The Dow-Lok® air-shifter clutch provides free spooling and clutch engagement with the cable drum. With the clutch disengaged, the cable can be freespoiled off the drum. For winching in the load the clutch must be fully engaged with the drum.

TO ENGAGE CLUTCH

There must be a minimum of 1 foot of slack in the cable before attempting to engage the clutch. This will allow the drum to rotate a minimum of 1/4 turn allowing engagement of the clutch before picking up the load. With this slack in the cable, exhaust air pressure from the air shift cylinder. Run the winch in the "IN" direction until the clutch starts to turn. **Clutch must be fully engaged before starting the winch operation.**

TO DISENGAGE CLUTCH

Run winch in the "OUT" direction until there is no load on the cable. Apply 70-90 psi to the air shift cylinder to disengage the clutch. **Do not disengage the clutch under load.**

WINCH MOUNTING

It is most important that this winch be mounted securely so that the three major sections (the clutch housing end, the cable drum and the gear-housing end) are properly aligned.

All standard H-800 Dow-Lok® series winches are furnished with recommended mounting angles. Angle size is 1/2 x 3 x 4 high strength steel angle.

CABLE INSTALLATION

The Ramsey Model H-800 "Dow-Lok"® winch has two tapered pockets cast into the drum. One pocket is for installations with the wire rope wound over the drum. The other pocket is for an underwound wire rope.

1. Slide the wire rope through narrow end of the pocket against the drum flange.
 2. Wrap the wire rope around the anchor "puck" and pull the wire rope and anchor back into the wide end of the pocket.
 3. Use a soft hammer to drive the back side of the wire rope, firmly seating the wire rope and anchor, into the pocket.
- The wire rope can easily be removed from the drum by driving the anchor out the wide end of the pocket.

The Ramsey Model Y-800/HY-800 ("Y" drum) "Dow-Lok"® winch has a setscrew to secure cable to drum.

Insert the end of cable, opposite hook end, into the 11/16" dia. hole in drum barrel. Secure cable to drum barrel, using setscrew furnished with winch. TIGHTEN SETSCREW SECURELY.

Carefully run the winch in the "reel-in" direction, keeping tension on end of cable, spool all the cable onto the cable drum, taking care to form neatly wrapped layers.

WINCH MAINTENANCE

Adhering to the following maintenance schedule will keep your winch in top condition and performing as it should with a minimum of repair.

A. WEEKLY

1. Check the oil level and maintain it to the oil level plug. If oil is leaking out, determine location and repair.
2. Check the pressure relief plug in top of the gear housing. Be sure that it is in good operating condition so that hot oil gasses may escape.
3. Lubricate cable with light oil.

B. MONTHLY

1. Lubricate the various grease fittings located in the ends of cable drum shaft, end bearing, clutch housing or clutch operating linkage. Any good grade of grease containing moly-disulfide is acceptable.
2. In the case of jaw clutch winches, check the action of the sliding clutch, making sure it is fully engaging and disengaging with the cable drum. Observe the jaws on both the clutch and cable drum, checking for rounding of the driving faces. If rounding has occurred they should be replaced immediately.
3. In the case of Dow-Lok® clutches, check the action of the locking ring. Make sure it is spring loaded and free to move fully against the cable drum in the engaged position and that it is pulled fully away from the cable drum and latched when disengaged.
4. Check the winch mounting bolts. If any are missing, replace them and securely tighten any that are loose. Make sure to use only grade 5 bolts or better.
5. Check the torque setting of the oil cooled worm brake. Make any adjustments required, following the procedure described in ADJUSTING THE OIL COOLED WORM BRAKE in the Owner's Manual.
6. Check alignment of chain and sprockets and adjust as required to minimize wear.
7. Inspect the cable. If the cable has become frayed with broken strands, replace immediately.

C. ANNUALLY

1. Drain the oil from the winch annually or more often if winch is used frequently.
2. Fill the winch to the oil level plug with clean kerosene. Run the winch a few minutes with no load in the reel in direction. Drain the kerosene from the winch.
3. Refill the winch to the oil level plug with all purpose E.P. 140 gear oil.
4. Inspect frame and surrounding structure for cracks or deformation.
5. Gear wear can be estimated by rocking the drum back and forth and if necessary drain oil and remove cover for closer inspection.

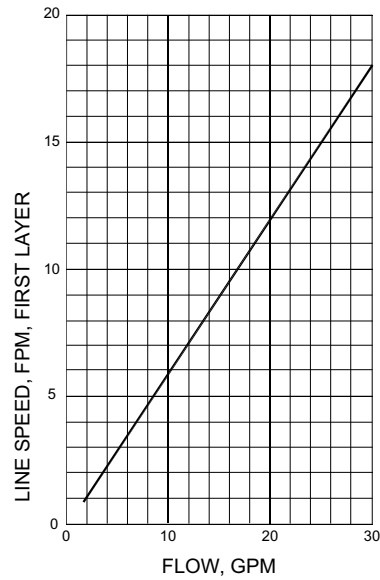
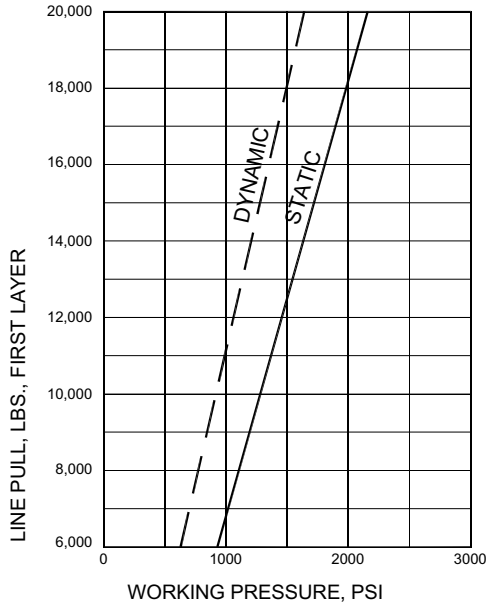
HYDRAULIC SYSTEMS

Refer to the performance charts, below, to properly match your hydraulic system to the H-800 Series winch performance. The charts consist of:

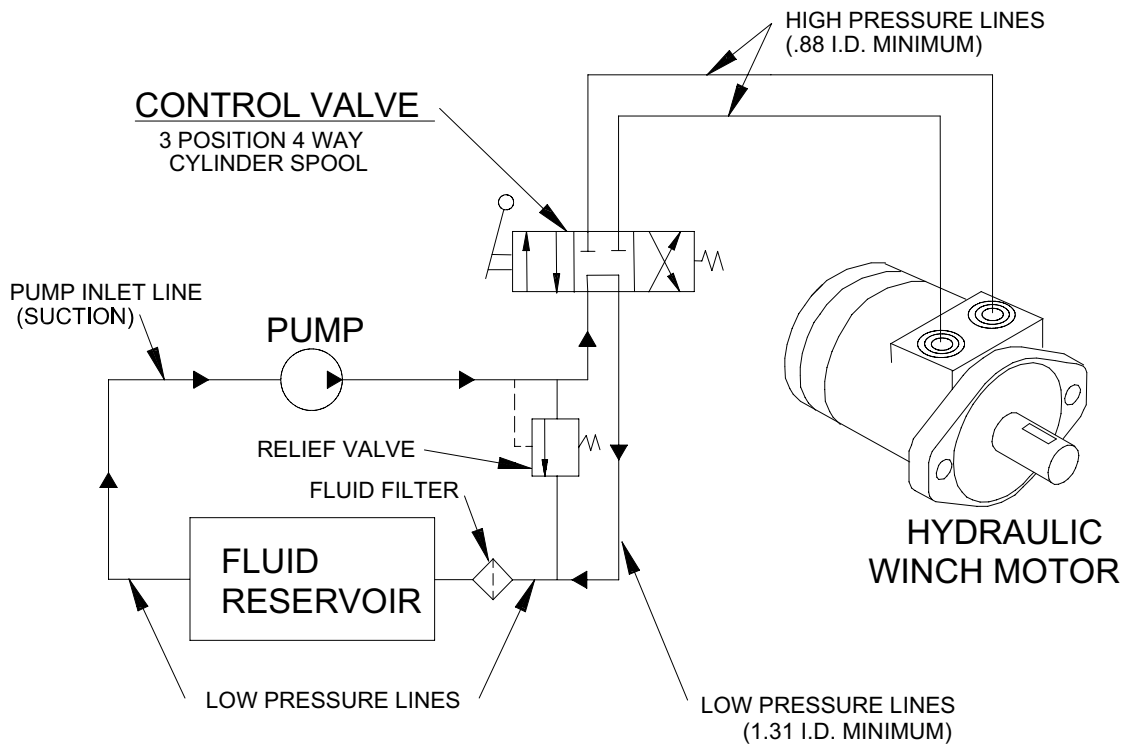
1. Line speed, first layer (FPM) vs. Flow, (GPM) and
2. Line pull (lbs.) first layer vs. working pressure (PSI). STATIC (solid line) refers to hoisting a suspended load from rest; DYNAMIC (dotted line) refers to maintaining the motion of a moving load.

Performance based on a motor displacement of 14.9 cubic inches with 30 GPM maximum flowrate. See page 15 for motor port size.

H-800, HY-800 Series Performance: 20,000 lb. Duty Rating 40:1 Gear Ratio



TYPICAL HYDRAULIC LAYOUT

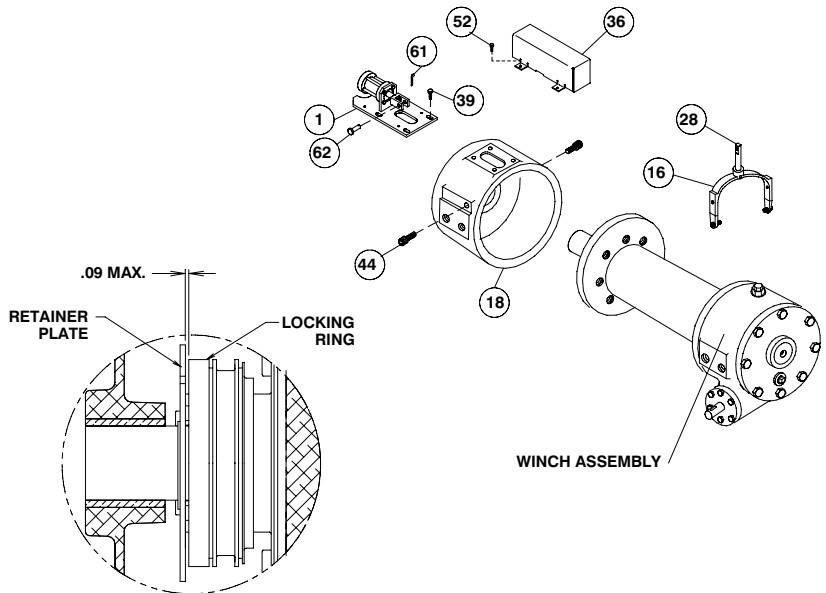


TROUBLESHOOTING GUIDE

CONDITION	POSSIBLE CAUSE	CORRECTION
CLUTCH INOPERATIVE OR BINDS UP.	1. Dry or rusted shaft. 2. Bent yoke or linkage.	1. Clean and lubricate. 2. Replace yoke or shaft assembly.
OIL LEAKS FROM HOUSING.	1. Seal damaged or worn. 2. Too much oil. 3. Damaged gasket.	1. Replace seal. 2. Drain excess oil. Refer to TECHNIQUES OF OPERATION. 3. Replace gasket.
LOAD DRIFTS DOWN.	1. Safety brake has become worn. 2. Safety brake out of adjustment.	1. Replace brake disc. (See Page 7, Diagram 1). 2. Turn adjusting bolt clockwise 1/4 turn or until load does not drift.
WINCH RUNS TOO SLOW	1. Hydraulic motor worn out. 2. Low flow rate.	1. Replace motor. 2. Check flow rate. Refer to Hydraulic Systems flow chart, page 5.
CABLE DRUM WILL NOT FREE SPOOL.	1. Winch not mounted squarely, causing end bearings to bind drum.	1. Check mounting. Refer to WINCH MOUNTING page 4.
CABLE BIRDNESTS WHEN CLUTCH IS DISENGAGED.	1. Drag brake disc worn.	1. Replace discs.
HYDRAULIC FLUID LEAKS OUT HOLE IN MOTOR ADAPTER.	1. Hydraulic motor shaft seal damaged.	1. Replace seal.

ADJUSTMENT OF CLUTCH AIR SHIFTER

- Place winch assembly back into mounting frame and reattach using (8) mounting bolts and lockwashers. Torque mounting hardware to 290 ft. lbs. each. Make sure that gear housing and clutch housing are not rubbing against drum flanges.
- Place air shifter assembly #1 over shifter shaft aligning clevis over flats of shaft. Secure clevis to shaft using clevis pin #62 and cotter pin #61. Place shifter shaft in the "ENGAGED" position. With the air cylinder shaft fully retracted, push shifter assembly toward the drum until all play is taken out of the shifter shaft. Secure shifter assembly to clutch housing using (4) capscrews #39 (flanged hx. hd. serrated). Tighten securely, but do not torque.
- Hook up air (70 to 90 psi) to inlet port of air cylinder and disengage clutch. Look into the opening in the clutch housing and verify that the locking ring and retainer plate are not making contact. Locking ring and retainer plate must not make contact. There must be a clearance (gap) of .09 inch (max.) between the locking ring and retainer plate when the winch is fully disengaged. If there is contact, the (4) capscrews #39 should be loosened and the plate pulled away from the drum approximately .06 inch. Tighten screws securely and check action to assure needed clearance. Repeat adjustment procedure as needed to acquire needed gap. Shift clutch 2 or 3 times to verify proper shifting of clutch. After final adjustment, torque (4) capscrews #39 to 18 ft. lbs. each. Attach cover #43 using (4) capscrews #52.



ADJUSTING THE OIL COOLED WORM BRAKE

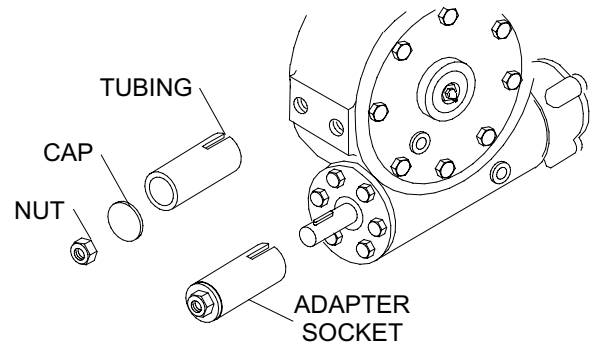
The oil-cooled, fully adjustable, automatic safety brake operates in the worm housing lubricant, all parts being submerged in oil. When the brake wears to the point that the load begins to drift, the brake can be adjusted as follows:

1. Loosen the lock nut on the adjusting screw.
2. Tighten the brake by turning the adjusting screw clockwise. CAUTION: Only 1/4 turn is usually required to adjust the brake. Over-tightening can cause overheating and damage to the brake parts. Tighten the lock nut after adjustment is completed.

If the brake does not respond to adjustment then a new leaf spring and brake disc is needed.

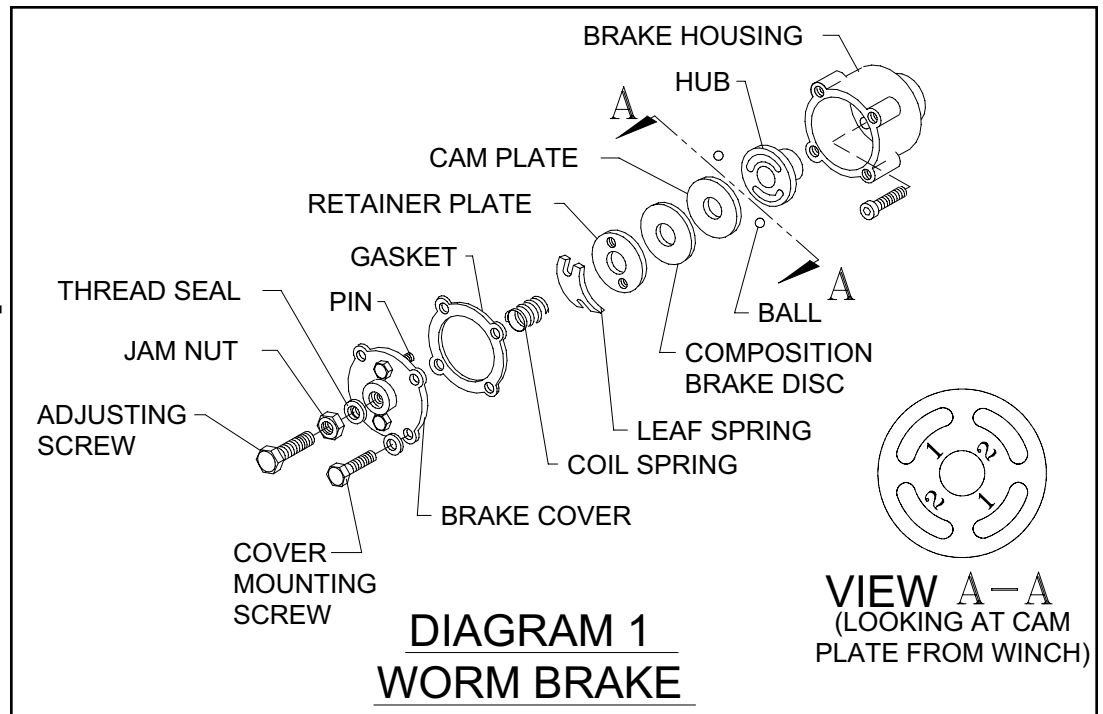
A torque wrench can be equipped with a special adapter to fit the input shaft (worm) of the winch. The adapter can be made by welding a nut to the end of a piece of tubing as shown in the following figure.

After welding the cap and nut to the tubing, slot the tubing as shown. This will allow the special adapter to slide over the keyway and will then act as a large socket. A torque wrench can then be used to apply the proper torque. Turn the torque wrench so that the drum turns in the spool out direction or lowering direction. The torque rating for the brake should be 50-55 ft-lbs. (67-74 Nm). If the torque wrench does not show the proper value as it turns, then the worm brake adjusting bolt should be turned clockwise 1/4 turn. Each time the adjusting bolt is turned, check the torque reading. Continue this procedure until the proper torque reading is achieved. Then tighten the lock nut.



SERVICING OF THE OIL COOLED SAFETY BRAKE

1. Remove the drain plug and drain the worm gear oil from the worm housing.
2. Back off the jam nut, then the adjusting screw, both two turns or more by turning them counter-clockwise.
3. Remove the cover mounting screws.
4. Remove the cover along with coil spring and leaf spring.
5. Remove the retainer plate, composition brake disc, cam plate and balls. Note slots balls are in.
6. Inspect parts as follows:
 - a. Composition brake discs are 1/4" (6 mm) thick when new. Replace if thinner than 3/16" (4 mm) or if surfaces are glazed or burnt.
 - b. Inspect the flat, ground surface of the cam plate and retainer plate for glazing, warpage, or other damage. Glazing can be removed by scraping carefully.
 - c. Inspect the leaf spring. It should be bowed 1/8" (3 mm).



RE-ASSEMBLING AND CHECKING THE BRAKE

1. Press brake hub into place over worm shaft and key.
2. Assemble ball into appropriate slots of cam. (Refer to Diagram 1, Page 7). Use stiff grease to hold balls into place and slide cam over end of worm. Be sure that balls are secure, between cam slots and hub slots. Refer to Page 8 to determine proper ball slot setting.
3. Install brake disc.
4. Install retainer plate, smooth side toward brake disc.
5. Install the gasket on the cover with a small amount of grease or sealer.
6. The coil spring goes over the adjusting screw on the inside of the cover.
7. Install the notches of the leaf spring on the pins protruding through the cover. The hollow side of the leaf spring goes toward the brake.
8. Install brake housing cover, making sure the protruding pins go through the leaf spring and into the holes in the retainer plate.
9. Bolt cover into place with the mounting screws. Install drain plug and add 1 pint all purpose E.P. 140 oil.
10. Turn winch in the hoisting direction at least one turn of the input shaft.
11. Turn the adjusting screw in until it is finger tight.

TEST FOR PROPER BRAKE ASSEMBLY

After the brake has been adjusted to the proper torque setting disengage clutch. Start vehicle engine and run winch in the reel in (hoisting direction). Allow winch to run in this direction for one minute.

Place your hand on the safety brake housing. If housing is not hot to the touch then run winch in the reverse direction (cable out) for one minute. Brake housing should begin to heat.

When these conditions exist, proper installation has been made. If heating becomes noticeable when running the winch in forward rotation (hoisting direction), the brake should be again disassembled. When disassembled, place the brake balls in the alternate set of slots in the cam plate, then carefully follow the instructions for re-assembling and checking the brake.

INSTRUCTIONS FOR CHECKING ASSEMBLY ARRANGEMENT AND SETTING OF WORM BRAKE

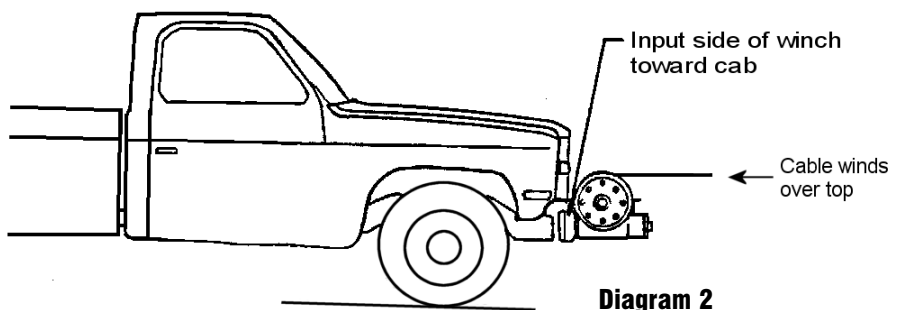
When the worm brake is assembled, the brake must be set with the balls in the #1 or the #2 set of cam slots. (View A-A, Page 7). It is indicated on the name plate whether the balls were installed in the #1 or the #2 slots at the factory.

Three factors determine which slots the balls should be in:

1. Direction cable winds on the drum. It normally WINDS OVER THE TOP of the drum barrel.
2. The cut of the gear set, right or left gear. The last letter in the model number of the winch, either R or L, designates right or left gear set. Example: R-20AR, R-30L, 700R, 800L.
3. The side of the winch that the input shaft is on. The INPUT SHAFT IS NORMALLY TOWARD THE CAB. Whether the winch has the gear box on the right or on the left side of the winch does not affect the brake setting.

EXAMPLE: When cable winds over the top of the drum, winch has a right cut gear and input shaft is toward the cab (diagram 2), then the balls need to be in the #2 cam slots.

If any one of these three factors differs from those stated above, the balls need to be in the #1 slots in the cam. A second change in these factors requires the original arrangement, and if all three factors are different, the balls need to be in the #1 slots. (See Page 7 and 8 for disassembly and assembly instructions).



INSTRUCTIONS FOR OVERHAUL OF RAMSEY MODEL H-800 DOW-LOK®

Dis-assembly

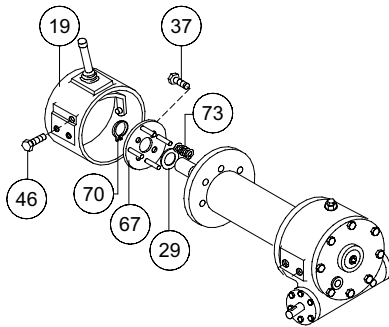
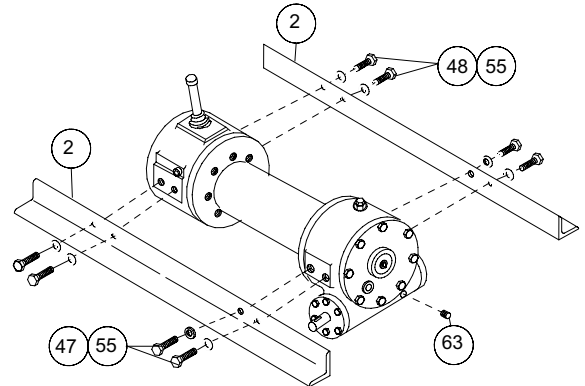
Refer to parts list and parts drawing pages for actual item numbers and corresponding parts numbers.

(1)

Drain oil from gear housing by removing pipe plug (item #63) from gear housing.

Shift clutch into the engaged "IN" position.

Remove frame angles (item #2) from winch assembly.



(2)

Remove two cap screws (item #46) from clutch housing (item #19) and unlatch shifter assembly.

Remove clutch housing from end of drum shaft. Press in on retainer plate (item #67), to relieve the spring tension and remove the retainer ring (item #70).

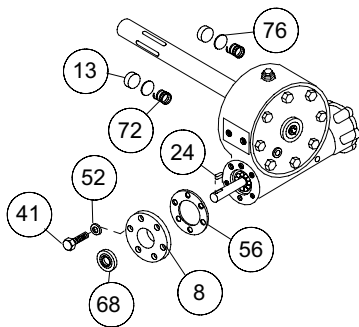
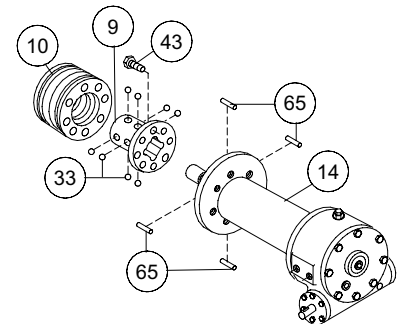
Remove four cap screws (item #37), retainer plate (item #67), springs (item #73) and spacer (item #29).

(3)

Slide the locking ring (item #10) from the clutch. NOTE: The locking ring cannot be removed unless the clutch is engaged, with dowel pins (item #65) seated in the shaft keyways.

Rotate the drum so the eight balls (item #33) and four dowel pins (item #65) can be removed.

If necessary, the clutch (item #9) may be disassembled from the drum by removing eight cap screws (item #43). Slide drum (item #14) from drum shaft.



(4)

Remove key (item #24) from worm shaft.

Remove bearing cap (item #8) and gasket (item #56) by unscrewing six cap screws (item #41) and lockwashers (item 52).

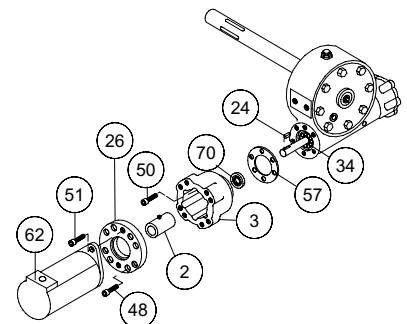
Remove seal (item #68) from bearing cap and press new seal into place.

Drag brake disc (item #13), spacer (item #76) and spring (item #72) should be examined and replaced if necessary.

(5)

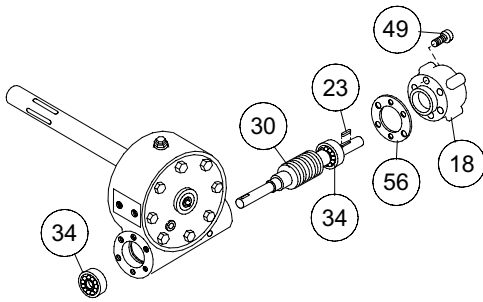
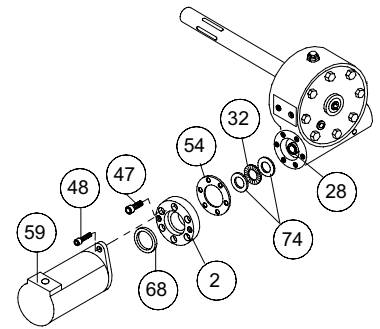
Remove motor (item #62) from adapter plate (item #26) by removing cap screws (item #51). Remove adapter plate and coupling (item #2) from adapter (item #3) by unscrewing eight cap screws (item #48).

Remove key (item #24) from worm shaft. Unscrew six cap screws (item #50) and remove adapter from gear housing. Replace adapter seal (item #70) and gasket (item #57).



(5a)

Remove motor (item #59) from adapter (item #2) by removing two capscrews and lock-washers (item #48 & #52). Remove adapter (item #2) from gear housing by removing six (item #47) capscrews. Replace pilot seal (item #68) and gasket (item #54). Remove thrust bearing (item #32) and thrust washers (item #74).



(6)

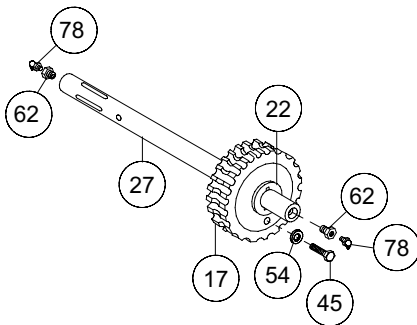
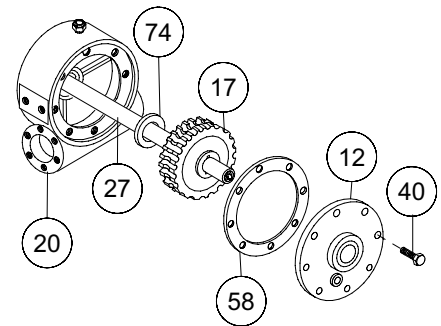
Refer to page 7, SERVICING OIL COOLED SAFETY BRAKE. Remove brake housing (item #18) from gear housing by unscrewing six (item #49) capscrews. Remove key (item #23) from worm. Remove worm (item #30) and bearings (item #34) from gear housing. Use a soft hammer to gently tap input end of worm and drive worm and bearing from gear housing. Once worm has been removed from housing, bearing can be pressed from end of worm.

Check for signs of wear or damage to worm (item #30) and bearings (item #34). Replace if necessary.

(7)

Remove gear housing cover (item #12) from gear housing (item #20) by unscrewing eight capscrews (item #40). Thread two of the capscrews into the two tapped holes of cover and tighten. This will pull the cover loose from gear housing.

Remove cover gasket (item #58) and pull shaft (item #27), with gear (item #17) and spacer (item #74) attached, from gear housing.



(8)

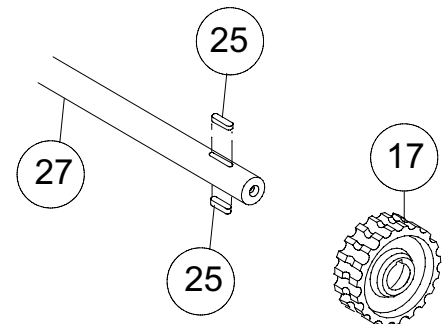
Check for signs of wear on gear teeth. If necessary, replace gear.

Check lube fittings (item #78) for damage and replace if necessary. Remove lube fittings (item #78) and reducers (item #62) from ends of shaft, if following Step 9, and reinstall after Step 9.

(9)

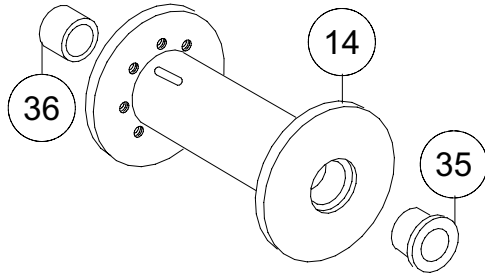
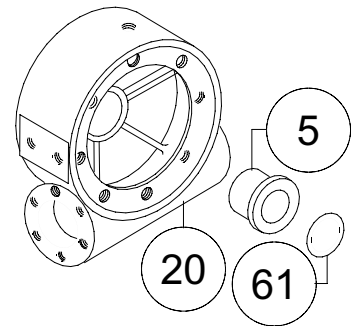
If shaft and/or gear hub is damaged, replace as follows:

- Tap keys (item #25) into short keyways of drum shaft (item #27).
- Press shaft (item #27) and keys through gear hub (item #17) until end of keys on long end of shaft are flush with hub.



(10)

Check gear housing bushing (item #5) and o-ring (item #61) for signs of wear. Replace if necessary by pressing old bushing from gear housing (item #20). Press new bushing into place and insert new o-ring (item #61) into groove inside of bushing.

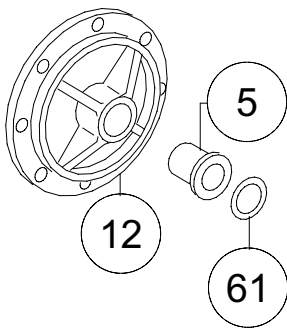
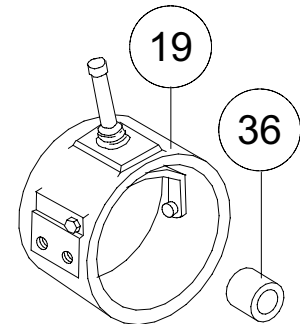


(11)

Check drum bushings (items #35 & #36) for signs of wear. Replace if necessary by pressing old bushings from drum (item #14). Press bushing (item #35) into bore in drum until its flange is seated against bottom of counterbore. Press bushing (item #36) into opposite bore on drum until end of bushing extends .50" from end of drum.

(12)

Check end bearing bushing (item #36) for signs of wear. If necessary, remove old bushing and press new bushing into place.

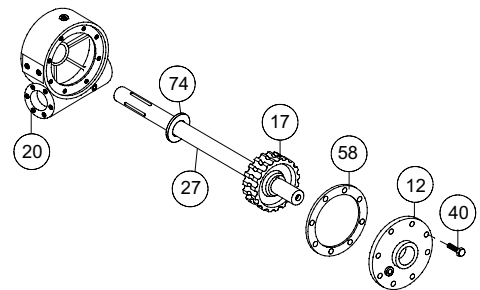


(13)

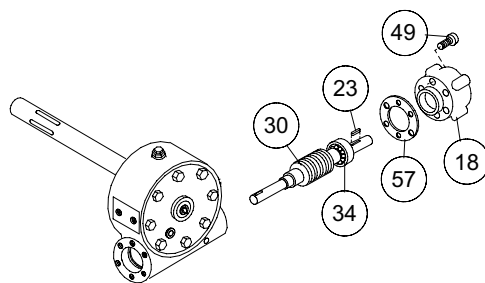
Check cover bushing (item #5) and o-ring (item #61) for signs of wear. Replace if necessary by pressing old bushing from gear housing cover (item #12). Press new bushing into place and insert new o-ring (item #61) into groove inside of bushing.

(14)

Slide spacer (item #74) over long end of shaft and place against gear hub. Apply grease to end of shaft, opposite gear. Apply grease to bushing in gear housing (item #20). Place greased end of shaft through bushing in gear housing (item #20). Place gasket (item #58) onto gear housing cover (item #12). Apply grease to gear end of shaft and cover bushing. Place cover onto shaft and secure to housing with eight (item #40) capscrews. Tighten capscrews to 39 ft. lb. (52 Nm.) each.



RE-ASSEMBLY



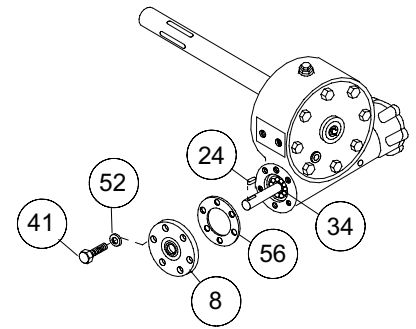
(15)

Press bearing (item #34) onto worm (item #30). NOTE: Be sure that thick shoulder of bearings outer race (side with manufacturer's name and part number) is out, away from worm threads. Press bearing and worm into gear housing. Slip gasket (item #56) onto brake housing (item #18). Use six capscrews (item #49) to secure brake housing to gear housing. Tighten capscrews to 45 ft. lb. (61 Nm.) each.

Place key (item #23) into keyway of worm (item #30). Refer to page 8 for reassembly and checking of worm brake.

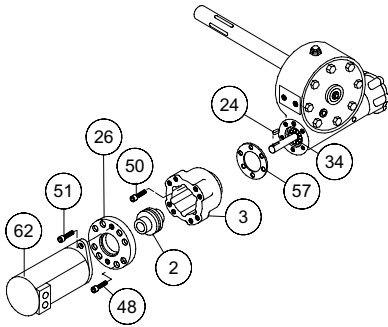
(16)

Press bearing (item #34) onto worm and into housing. NOTE: Be sure that thick shoulder of bearings outer race (side with manufacturer's name and part number) is out, away from worm threads. Attach bearing cap (item #8) to gear housing using six capscrews (item #41) with lockwashers (item #52). Tighten capscrews to 39 ft. lb. (52 Nm.) each. Insert key (item #24) into keyway of worm shaft.



(17)

Press bearing (item #34) onto worm and into housing. NOTE: Be sure that thick shoulder of bearings outer race (side with manufacturer's name and part number) is out, away from worm threads. Attach adapter (item #3) to gear housing using six capscrews (item #50). Tighten capscrews to 45 ft. lb. (61 Nm.) each. Insert key (item #24) into keyway of worm shaft. Slide coupling (item #2) over end of worm shaft. Attach adapter plate (item #26) to adapter using eight capscrews (item #48). Tighten capscrews to 21 ft. lb. (28 Nm.) each.

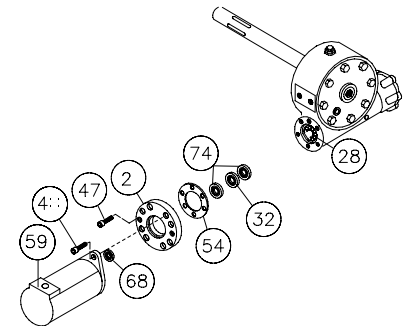


Place motor shaft, with key in keyway, into coupling. Secure motor (item #62) to adapter, using two capscrews (item #51). Tighten capscrews to 102 ft. lb. (138 Nm.) each.

(17a)

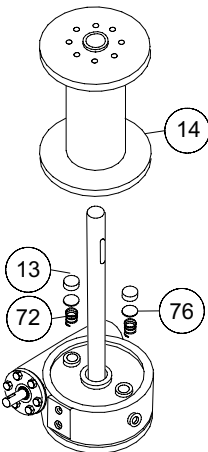
Place thrust washers (item #74) and thrust bearing (item #32) over end of worm (item #28) and into housing. Attach adapter (item #2) with gasket (item #54) to housing, using six (item #47) capscrews. Tighten capscrews to 45 ft.lb. (61 Nm.) each.

Insert pilot seal (item #68) into adapter and carefully place motor shaft, with key in keyway, through seal, so as not to damage seal. Insert motor shaft into end of worm (item #28). Secure motor (item #59) to coupling using two (item #48) capscrews with lockwashers (item #52). Tighten capscrews to 102 ft.lbs. (138 Nm.) each.



(18)

Place winch with gear housing cover down on work bench. Drum shaft should be in vertical position. Set springs (item #72) into pockets of gear housing with drag brakes (item #13) on top of disc (item #76) and springs. Slide drum assembly (item #14) onto drum shaft as shown.



(19)

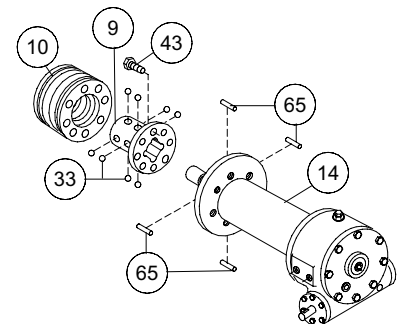
Place clutch (item #9) over end of drum shaft. Align the clutch over the pilot bushing in drum. Install the eight capscrews (item #43) and torque the capscrews to 103 ft. lb.

(139 Nm.) to securely seat the clutch to the drum.

Rotate the drum to align the clutch slots with the shaft keyways. Lightly grease four dowel pins (item #65) and eight balls (item #33). Use molybdenum disulfide or graphite bearing grease. Insert the four dowel pins (item #65) and eight balls (item #33). In the engaged position the balls are nearly flush with the clutch.

Lightly grease the internal and external groove and bore in locking ring (item #10) and clutch (item #9).

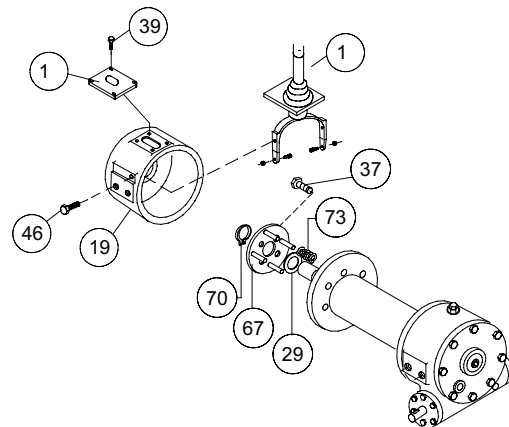
Slide locking ring onto the clutch. When fully engaged, the locking ring touches the clutch flange and there is .71 to .73 inches between the end of the locking ring and the end of the clutch.



(20)

Place four springs (item #73) over four roll pins on retainer plate (item #67). Install spacer (item #29) and retainer plate and secure to clutch using four capscrews (item #37). Tighten capscrews to 9.7 ft. lb. (13 Nm.) each. Firmly seat the retainer ring (item #70) into drum shaft groove.

Set the shifter assembly so that the screw heads engage the external groove in the locking ring (item #10). Push the clutch housing (item #19) onto the drum shaft and latch the shifter assembly in the engaged "IN" position. Insert the two capscrews (item #46).



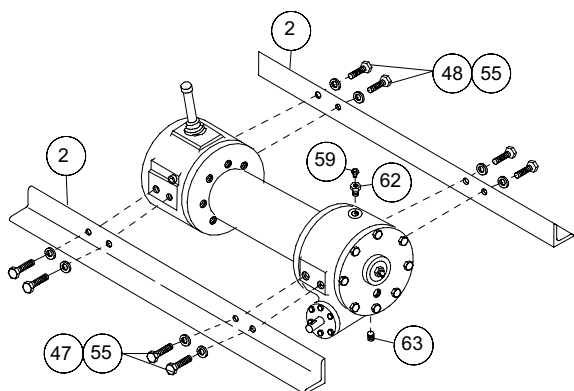
(21)

Attach mounting angles (item #2) to winch assembly. Use capscrews (item #47 & #48) and lockwashers (item #55). Tighten capscrews to 290 ft. lb. (393 Nm) each. Insert plug (item #63) into hole in bottom of gear housing. Remove plugs (items #59 & 62) from top of housing. Pour 3 -3/4 pints of E.P. 140 oil into hole and replace plugs.

Check the action of the clutch by shifting and freespooling the winch drum several times.

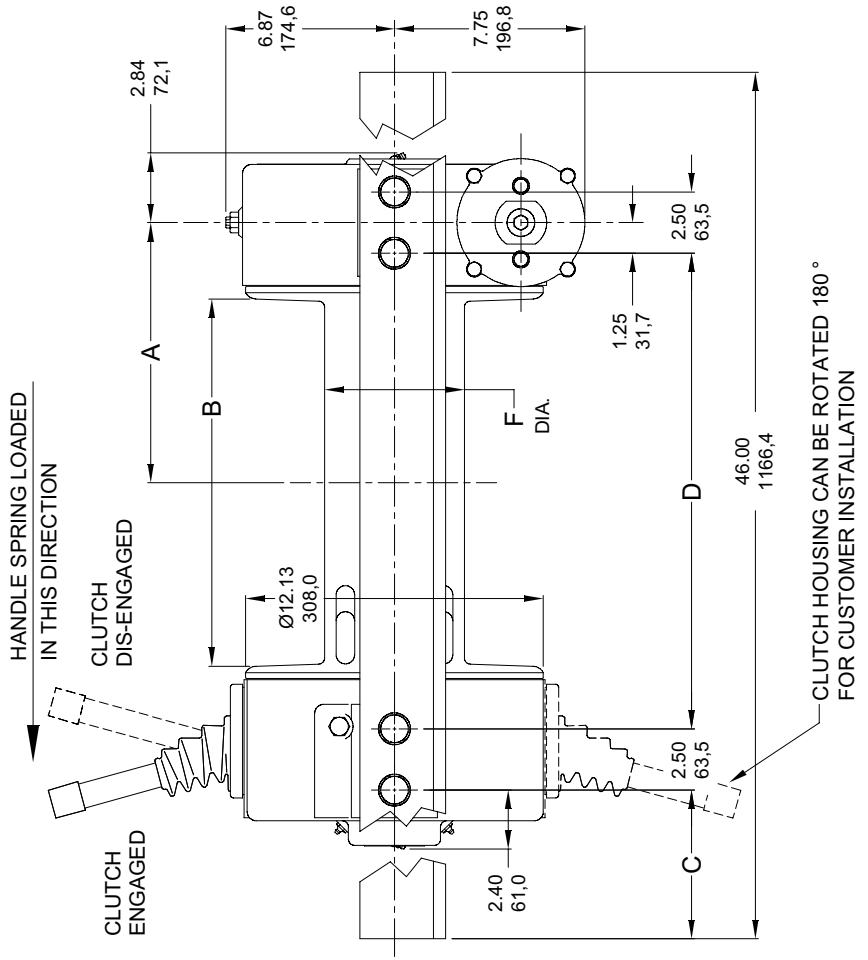
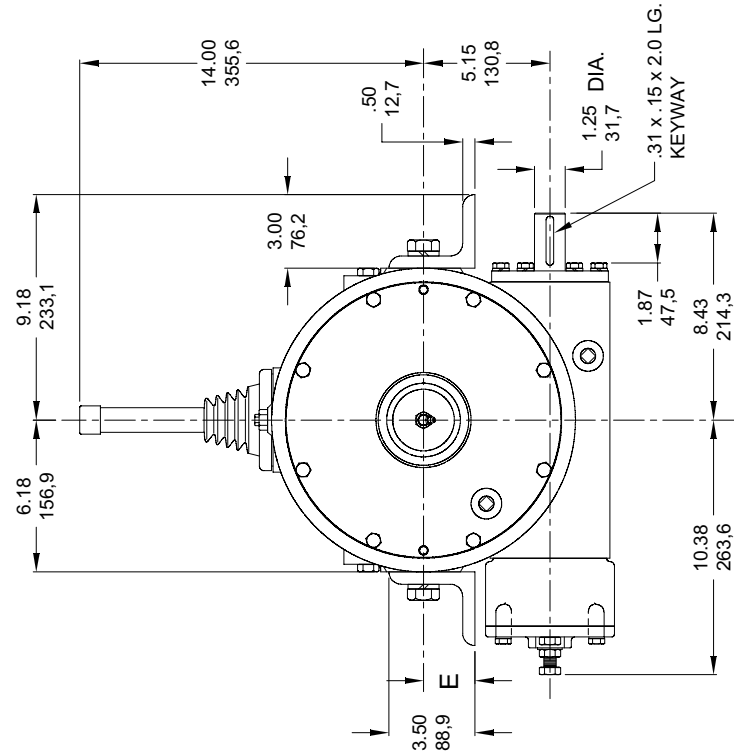
The shift pattern plate on top of the clutch housing is adjusted at the factory to provide reliable shifting of the Dow-Lok® clutch. If the plate should loosen or be removed, you must readjust the plate. Shift the handle to disengage the clutch and hold against the internal stop. With the

latching pin in the "OUT" slots, push the shift pattern plate toward the cable drum. Unsnap plastic lever cover from pattern plate. Tighten the four capscrews which hold the plate to housing. Snap lever cover back into place around the pattern plate.



Model 800 Dow-Lok® 800 / Y-800

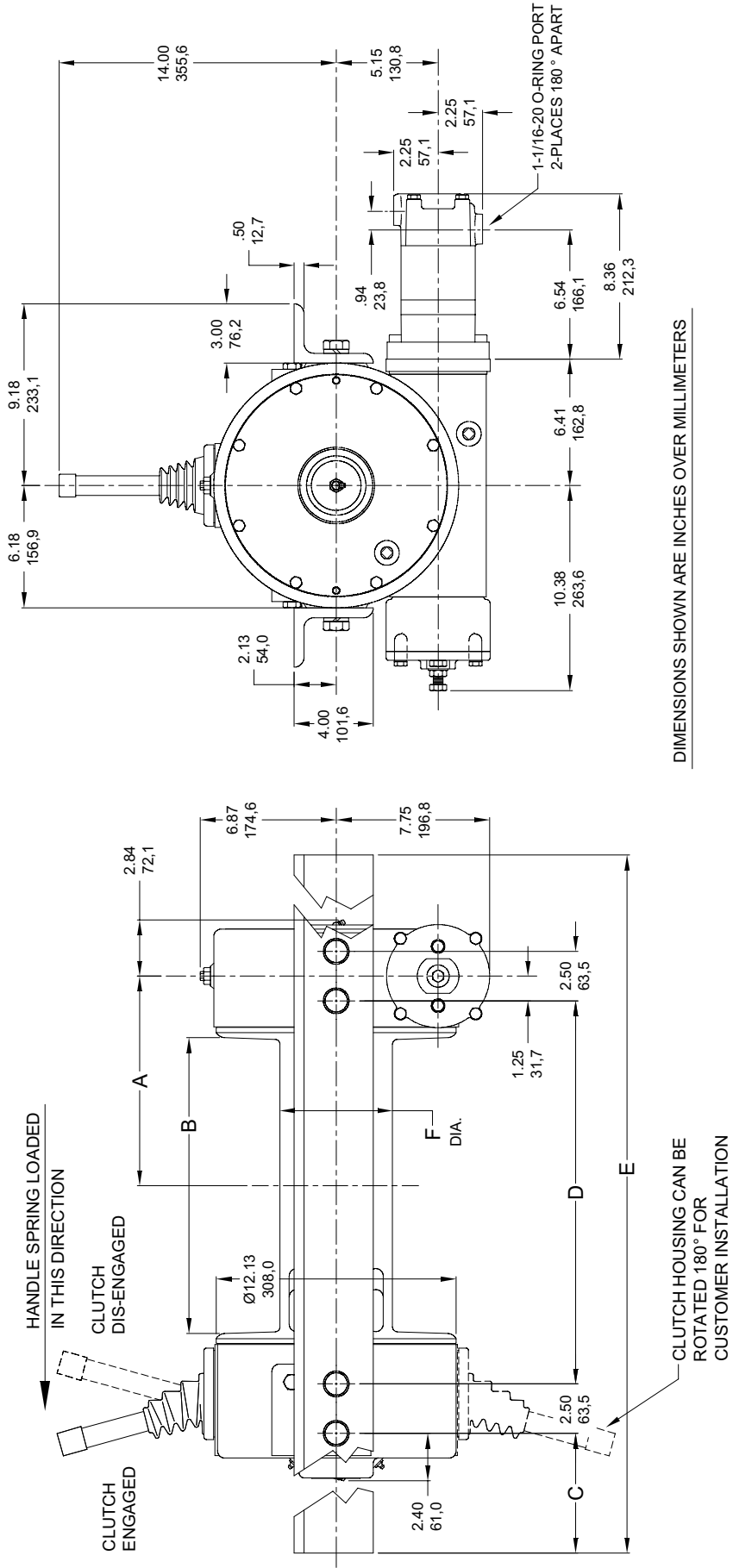
WINCH MODEL	A INCHES MM	B INCHES MM	C INCHES MM	D INCHES MM	E INCHES MM	F INCHES MM
800	10.62 269,7	15.00 381,0	10.75 273,0	19.38 492,2	2.09 53,0	5.69 144,5
Y-800	7.75 196,8	9.44 239,8	13.68 347,4	13.63 346,2	2.00 50,8	5.50 139,7



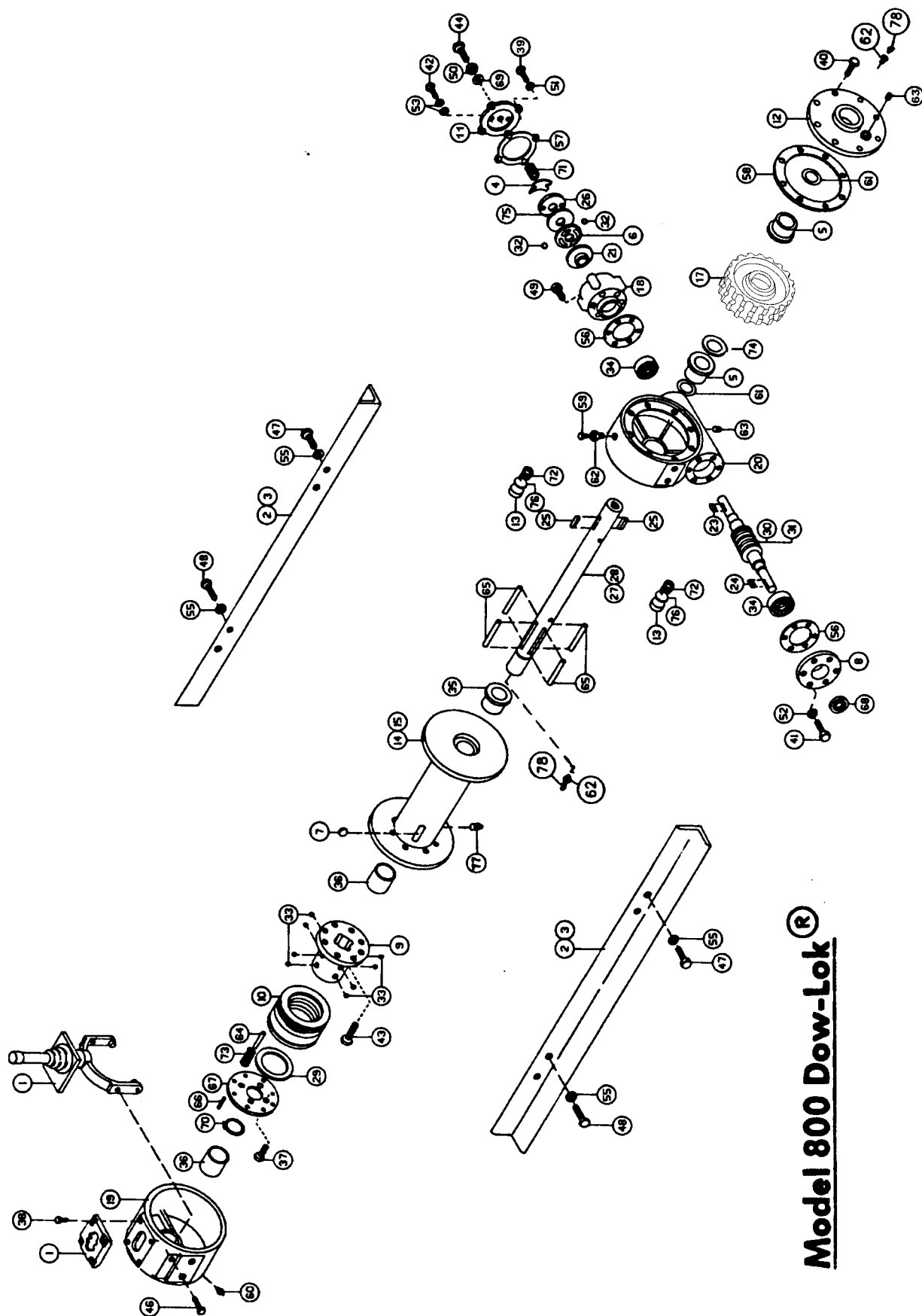
DIMENSIONS SHOWN ARE INCHES OVER MILLIMETERS

Model 800 Dow-Lok® H-800 SHORT COUPLING

WINCH MODEL	A INCHES MM	B INCHES MM	C INCHES MM	D INCHES MM	E INCHES MM	F INCHES MM
H-800	10.62 269,7	15.00 381,0	13.81 350,7	19.38 492,2	52.00 1320,8	5.69 144,5
HY-800	7.75 196,8	9.44 239,8	13.68 347,4	13.63 346,2	46.00 1168,4	5.50 139,7



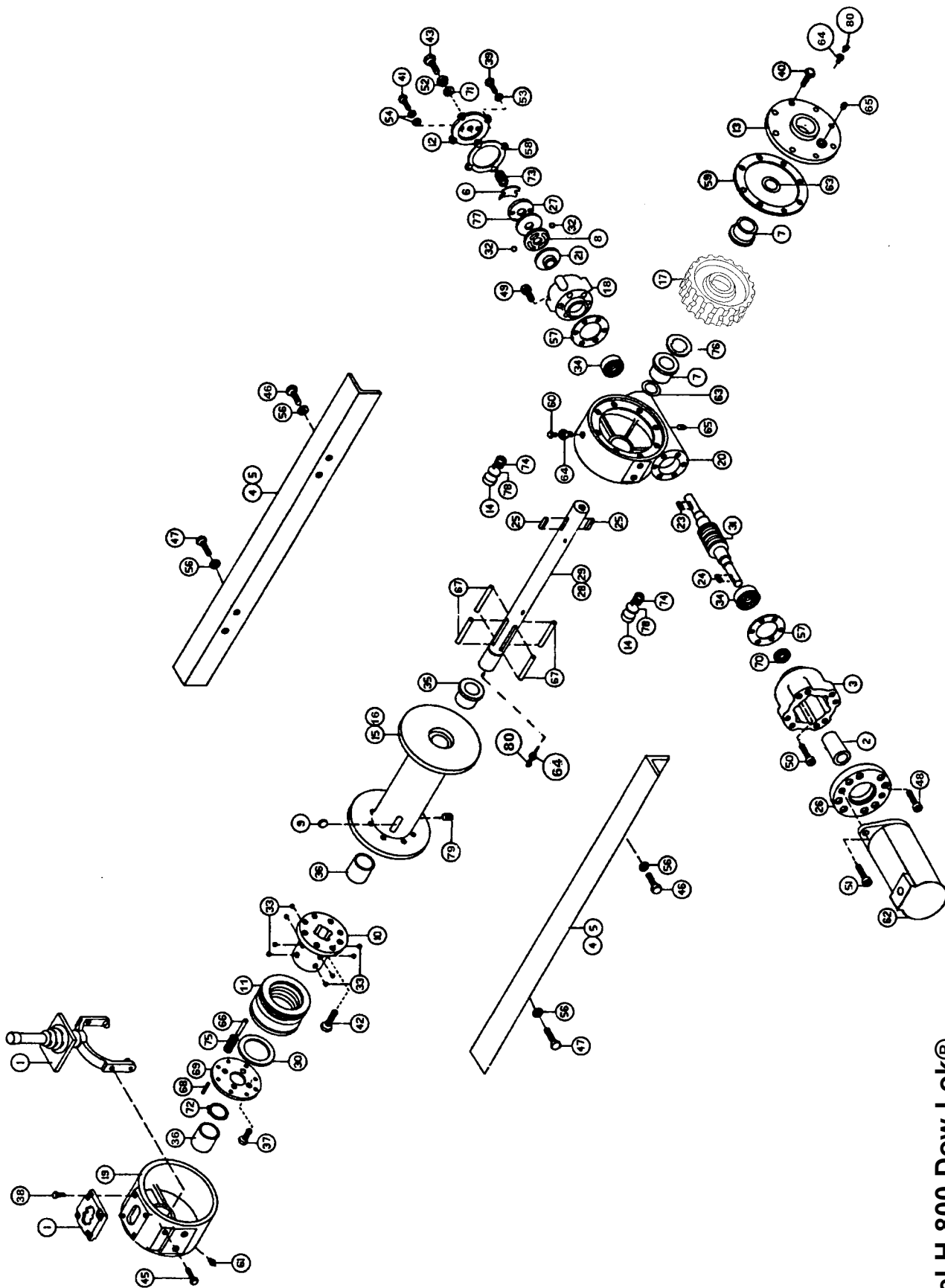
DIMENSIONS SHOWN ARE INCHES OVER MILLIMETERS



Model 800 Dow-Lok®

PARTS LIST Model 800 Series Dow-Lok®

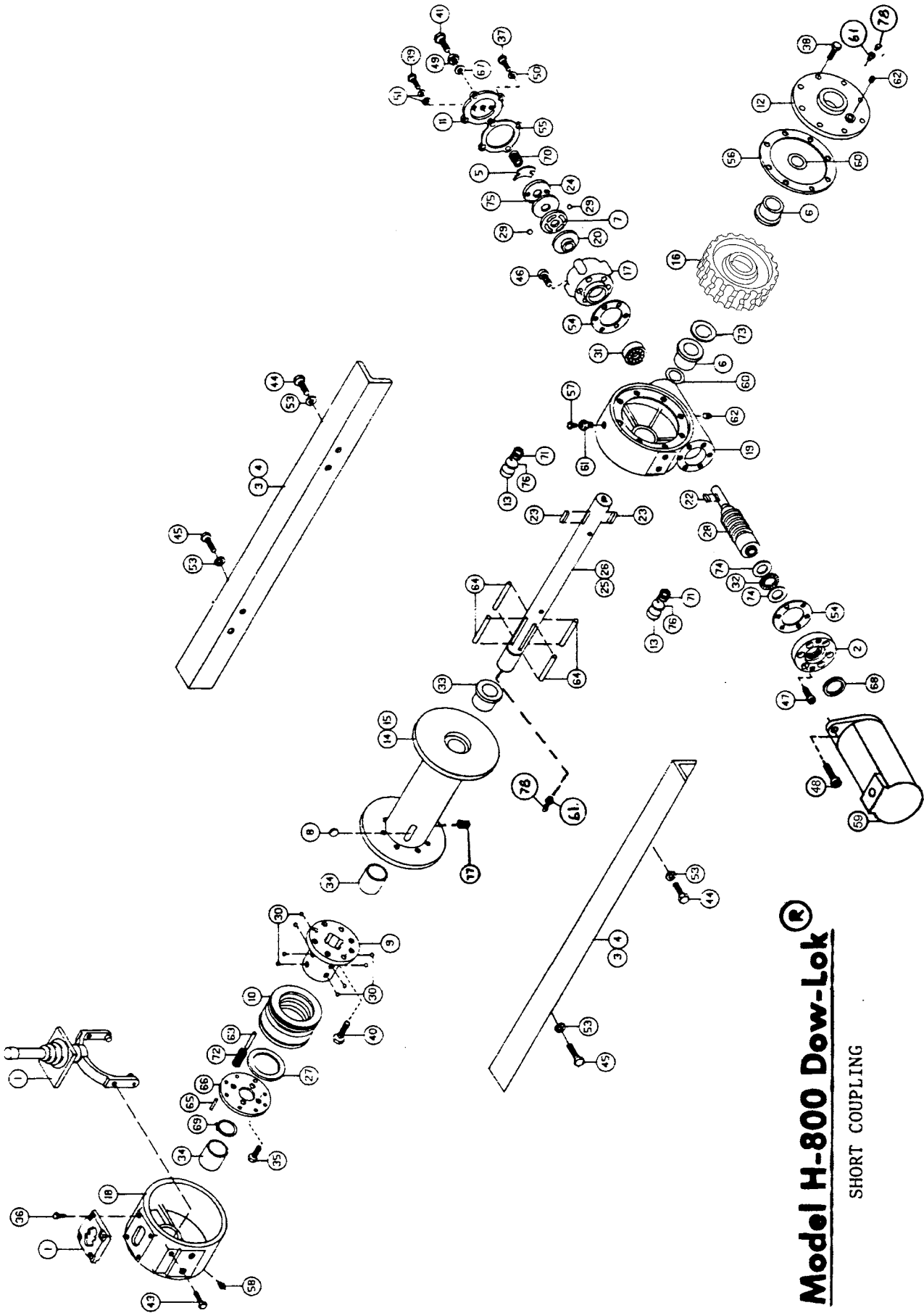
ITEM NO.	QTY	PART NO.	DESCRIPTION
1	1	276033	Shifter Ass'y
2	2	302093	Angle - "Y"
3	2	302111	Angle - "STD"
4	1	306035	SPRING - FLAT
5	2	308083	BUSHING
6	1	314007	CAM PLATE
7	1	314010	CABLE ANCHOR ("STD." DRUM ONLY)
8	1	316006	CAP BEARING
9	1	324151	CLUTCH
10	1	324318	LOCKING RING
11	1	328027	COVER - BRAKE
12	1	328122	COVER - GEAR HOUSING
13	2	330010	SHOE - DRAG BRAKE
14	1	332167	DRUM (STD)
15	1	332172	DRUM ("Y")
16	1	334189	GEAR - L.H.
17	1	334188	GEAR - R.H.
18	1	338221	HOUSING - BRAKE
19	1	338235	HOUSING - CLUTCH
20	1	338242	HOUSING - GEAR
21	1	340011	HUB - BRAKE
23	1	342053	KEY
24	1	342092	KEY
25	2	342153	KEY
26	1	352021	PLATE - RETAINER
27	1	357498	SHAFT - DRUM (STD.)
28	1	357502	SHAFT - DRUM ("Y")
29	1	362224	SPACER
30	1	368082	WORM R.H.
31	1	368084	WORM L.H.
32	2	400007	BALL - BRAKE
33	8	400011	BALL - CLUTCH
34	2	402045	BEARING - BALL
35	1	412051	BUSHING
36	2	412052	BUSHING
37	4	414038	CAPSCREW 1/4-20NC X 3/4 LG HX HD GR5
38	4	414069	CAPSCREW 5/16-18NC X 3/4 LG HX HD
39	4	414111	CAPSCREW 5/16-18NC X 1 LG HX HD GR5
40	8	414277	CAPSCREW 3/8-16NC X 1 LG HX HD GR5 NYLOK HVY P
41	6	414282	CAPSCREW 3/8-16NC X 1-1/4 LG HX HD DR5
42	2	414399	CAPSCREW 3/8-24NF X 1-1/4 LG ALL-THRD GR5
43	8	414571	CAPSCREW 1/2-20NF X 1 LG HX HD GR5
44	1	414603	CAPSCREW 1/2-20NF X 1-3/4 LG ALL-THRD GR5
46	2	414619	CAPSCREW 1/2-13NC X 2-1/2 LG HX HD ALL-THRD ZP
47	4	414751	CAPSCREW 3/4-10NC X 1-3/4 GR5 NYLOK HVY PATCH
48	4	414777	CAPSCREW 3/4-10NC X 1-3/4 GR5
49	6	414897	CAPSCREW 3/8-16NC X 1 LG SOC HD
50	1	418067	NUT 1/2-20NF HX JAM
51	4	418163	LOCKWASHER 5/16 MED SECT PLTD
52	6	418177	LOCKWASHER 3/8 MED SECT PLTD
53	4	418184	WASHER - FLAT 3/8 ALUM
55	8	418249	LOCKWASHER 3/4 MED SECT
56	2	442192	GASKET
57	1	442194	GASKET
58	1	442195	GASKET
59	1	456008	FITTING - RELIEF
60	1	456031	FITTING - LUBE
61	2	462013	QUAD-RING
62	3	468002	REDUCER
63	2	468011	PIPE PLUG
64	4	470042	PIN - ROLL
65	4	470044	PIN - DOWEL
66	4	470056	PIN - ROLL
67	1	474030	PLATE - RETAINER
68	1	486068	SEAL - OIL
69	1	486076	THREAD SEAL
70	1	490025	RING - RETAINER
71	1	494010	SPRING
72	2	494022	SPRING - DISC
73	4	494069	SPRING
74	1	518016	THRUST WASHER
75	1	530007	DISC - BRAKE
76	2	530094	SPACER - BRAKE
77	1	416059	SETSCREW ("Y" DRUM ONLY)
78	2	456039	LUBE FITTING



Model H-800 Dow-Lok®

PARTS LIST Model H-800 Series Dow-Lok®

ITEM NO.	QTY	PART NO.	DESCRIPTION
1	1	276033	Shifter Assy
2	1	299733	COUPLING ASSY
3	1	300048	ADAPTER
4	2	302093	Angle - "Y"
5	2	302111	Angle - "STD"
6	1	306035	SPRING - FLAT
7	2	308083	BUSHING
8	1	314007	CAM PLATE
9	1	314010	CABLE ANCHOR ("STD." DRUM ONLY)
10	1	324151	CLUTCH
11	1	324318	LOCKING RING
12	1	328027	COVER - BRAKE
13	1	328122	COVER - GEAR HOUSING
14	2	330010	SHOE - DRAG BRAKE
15	1	332167	DRUM (STD)
16	1	332172	DRUM ("Y")
17	1	334188	GEAR - R.H.
18	1	338221	HOUSING - BRAKE
19	1	338235	HOUSING - CLUTCH
20	1	338242	HOUSING - GEAR
21	1	340011	HUB - BRAKE
23	1	342053	KEY
24	1	342092	KEY
25	2	342153	KEY
26	1	350535	PLATE - HYD. ADAPTER
27	1	352021	PLATE - RETAINER
28	1	357498	SHAFT - DRUM (STD.)
29	1	357502	SHAFT - DRUM ("Y")
30	1	362224	SPACER
31	1	368082	WORM R.H.
32	2	400007	BALL - BRAKE
33	8	400011	BALL - CLUTCH
34	2	402045	BEARING - BALL
35	1	412051	BUSHING
36	2	412052	BUSHING
37	4	414038	CAPSCREW 1/4-20NC X 3/4 LG HX HD GR5
38	4	414069	CAPSCREW 5/16-18NC X 3/4 LG HX HD
39	4	414111	CAPSCREW 5/16-18NC X 1 LG HX HD GR5
40	8	414277	CAPSCREW 3/8-16NC X 1 LG HX HD GR5 NYLOK HVY P
41	2	414399	CAPSCREW 3/8-24NF X 1-1/4 LG ALL-THRD GR5
42	8	414571	CAPSCREW 1/2-20NF X 1 LG HX HD GR5
43	1	414603	CAPSCREW 1/2-20NF X 1-3/4 LG ALL-THRD GR5
45	2	414619	CAPSCREW 1/2-13NC X 2-1/2 LG HX HD ALL-THRD ZP
46	4	414751	CAPSCREW 3/4-10NC X 1-3/4 GR5 NYLOK HVY PATCH
47	4	414777	CAPSCREW 3/4-10NC X 1-3/4 GR5
48	8	414871	CAPSCREW 5/16-18NC X 1-1/4 LG SOC HD LOK-WEL
49	6	414897	CAPSCREW 3/8-16NC X 1 LG SOC HD
50	6	414909	CAPSCREW 3/8-16NC X 1-3/4 LG SOC HD LOK-WEL
51	2	414950	CAPSCREW 1/2-13NC X 1-3/4 LG SOC HD LOK-WEL
52	1	418067	NUT 1/2-20NF HX JAM
53	4	418163	LOCKWASHER 5/16 MED SECT PLTD
54	4	418184	WASHER - FLAT 3/8 ALUM
56	8	418249	LOCKWASHER 3/4 MED SECT
57	2	442192	GASKET
58	1	442194	GASKET
59	1	442195	GASKET
60	1	456008	FITTING - RELIEF
61	1	456031	FITTING - LUBE
62	1	458048	MOTOR-HYD.
63	2	462013	QUAD-RING
64	3	468002	REDUCER
65	2	468011	PIPE PLUG
66	4	470042	PIN - ROLL
67	4	470044	PIN - DOWEL
68	4	470056	PIN - ROLL
69	1	474030	PLATE - RETAINER
70	1	486068	SEAL - OIL
71	1	486076	THREAD SEAL
72	1	490025	RING - RETAINER
73	1	494010	SPRING
74	2	494022	SPRING - DISC
75	4	494069	SPRING
76	1	518016	THRUST WASHER
77	1	530007	DISC - BRAKE
78	2	530094	SPACER - BRAKE
79	1	416059	SETSCREW ("Y" DRUM ONLY)
80	2	456039	LUBE FITTING

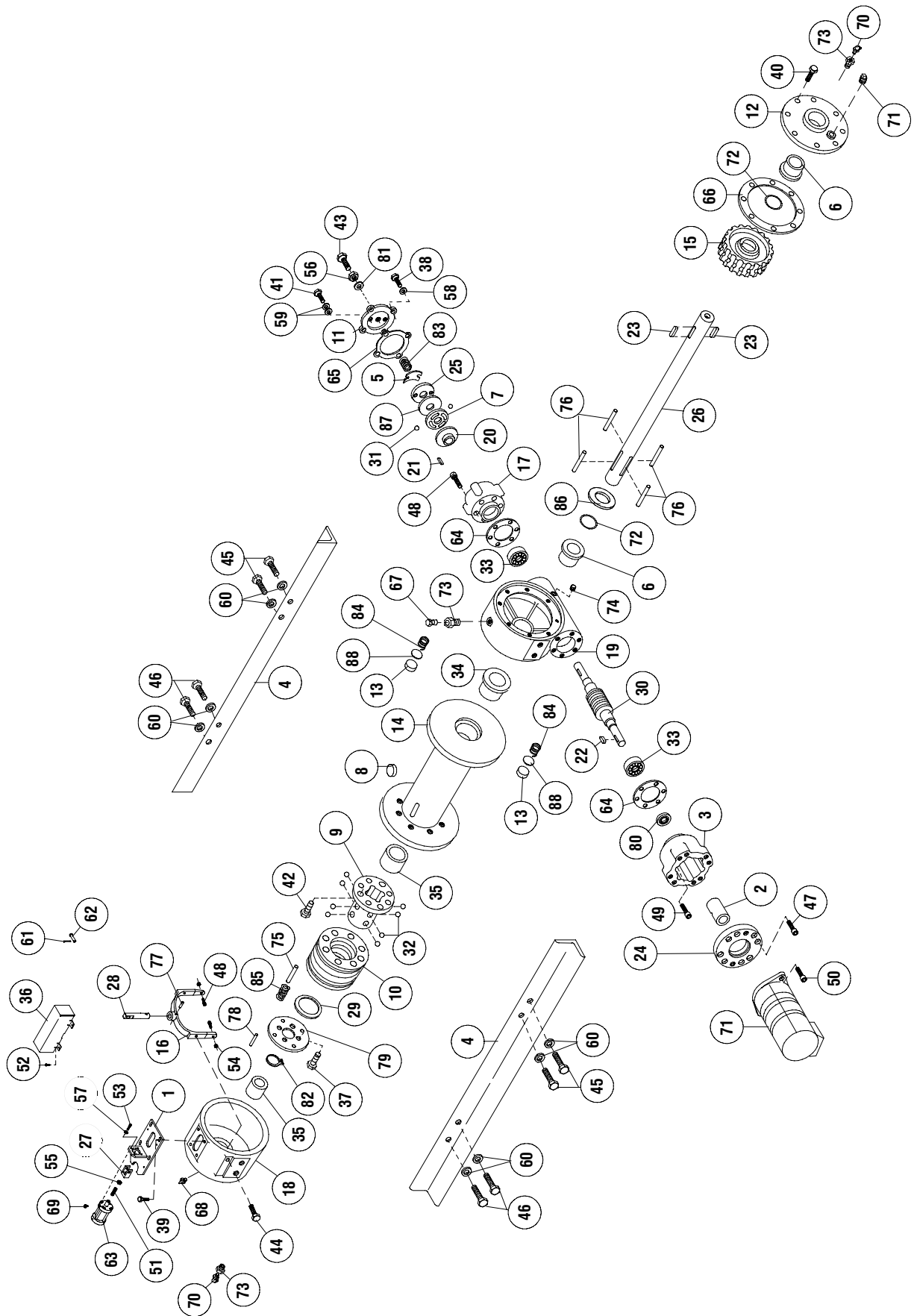


Model H-800 Dow-Lok®

SHORT COUPLING

PARTS LIST Model H-800SC Series Dow-Lok® (Short Coupling)

ITEM NO.	QTY	PART NO.	DESCRIPTION
1	1	276033	Shifter Assy
2	1	300048	ADAPTER
3	2	302093	Angle - "Y"
4	2	302111	Angle - "STD"
5	1	306035	SPRING - FLAT
6	2	308083	BUSHING
7	1	314007	CAM PLATE
8	1	314010	CABLE ANCHOR ("STD." DRUM ONLY)
9	1	324151	CLUTCH
10	1	324318	LOCKING RING
11	1	328027	COVER - BRAKE
12	1	328122	COVER - GEAR HOUSING
13	2	330010	SHOE - DRAG BRAKE
14	1	332167	DRUM (STD)
15	1	332172	DRUM ("Y")
16	1	334188	GEAR - R.H.
17	1	338221	HOUSING - BRAKE
18	1	338235	HOUSING - CLUTCH
19	1	338242	HOUSING - GEAR
20	1	340011	HUB - BRAKE
22	1	342053	KEY
23	2	342153	KEY
24	1	352021	PLATE - RETAINER
25	1	357498	SHAFT - DRUM (STD.)
26	1	357502	SHAFT - DRUM ("Y")
27	1	362224	SPACER
28	1	368196	WORM R.H.
29	2	400007	BALL - BRAKE
30	8	400011	BALL - CLUTCH
31	2	402045	BEARING - BALL
32	1	402109	BEARING - THRUST
33	1	412051	BUSHING
34	2	412052	BUSHING
35	4	414038	CAPSCREW 1/4-20NC X 3/4 LG HX HD GR5
36	4	414069	CAPSCREW 5/16-18NC X 3/4 LG HX HD
37	4	414111	CAPSCREW 5/16-18NC X 1 LG HX HD GR5
38	8	414277	CAPSCREW 3/8-16NC X 1 LG HX HD GR5 NYLOK HVY P
39	2	414399	CAPSCREW 3/8-24NF X 1-1/4 LG ALL-THRD GR5
40	8	414571	CAPSCREW 1/2-20NF X 1 LG HX HD GR5
41	1	414603	CAPSCREW 1/2-20NF X 1-3/4 LG ALL-THRD GR5
43	2	414619	CAPSCREW 1/2-13NC X 2-1/2 LG HX HD ALL-THRD ZP
44	4	414751	CAPSCREW 3/4-10NC X 1-3/4 GR5 NYLOK HVY PATCH
45	4	414777	CAPSCREW 3/4-10NC X 1-3/4 GR5
46	6	414897	CAPSCREW 3/8-16NC X 1 LG SOC HD
47	6	414913	CAPSCREW 3/8-16NC X 1-1/4 LG SOC HD LOK-WEL
48	2	414952	CAPSCREW 1/2-13NC X 1-1/2 LG SOC HD LOK-WEL
49	1	418067	NUT 1/2-20NF HX JAM
50	4	418163	LOCKWASHER 5/16 MED SECT PLTD
51	4	418184	WASHER - FLAT 3/8 ALUM
53	8	418249	LOCKWASHER 3/4 MED SECT
54	2	442192	GASKET
55	1	442194	GASKET
56	1	442195	GASKET
57	1	456008	FITTING - RELIEF
58	1	456031	FITTING - LUBE
59	1	458048	MOTOR-HYD.
60	2	462013	QUAD-RING
61	3	468002	REDUCER
62	2	468011	PIPE PLUG
63	4	470042	PIN - ROLL
64	4	470044	PIN - DOWEL
65	4	470056	PIN - ROLL
66	1	474030	PLATE - RETAINER
67	1	486076	THREAD SEAL
68	1	486079	SEAL - PILOT
69	1	490025	RING - RETAINER
70	1	494010	SPRING
71	2	494022	SPRING - DISC
72	4	494069	SPRING
73	1	518016	THRUST WASHER
74	2	518036	THRUST WASHER
75	1	530007	DISC - BRAKE
76	2	530094	SPACER - BRAKE
77	1	416059	SETSCREW ("Y" DRUM ONLY)
78	2	456039	LUBE FITTING



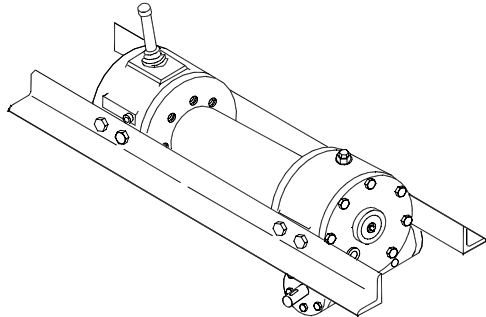
Model H-800 Dow-Lok®
Air Shifter

PARTS LIST Model H-800 Series Dow-Lok® with Air Shifter

ITEM NO.	QTY	PART NO.	DESCRIPTION
1	1	299695	AIR SHIFTER BRACKET
2	1	299733	COUPLING ASSY
3	1	300048	ADAPTER
4	2	302093	Angle - "Y"
	2	302111	Angle - "STD"
5	1	306035	SPRING - FLAT
6	2	308083	BUSHING
7	1	314007	CAM PLATE
8	1	314010	CABLE ANCHOR ("STD." DRUM ONLY)
	1	416059	SETSCREW ("Y" DRUM ONLY)
9	1	324151	CLUTCH
10	1	324318	LOCKING RING
11	1	328027	COVER - BRAKE
12	1	328122	COVER - GEAR HOUSING
13	2	330010	SHOE - DRAG BRAKE
14	1	332167	DRUM (STD)
	1	332172	DRUM ("Y")
15	1	334188	GEAR - R.H.
16	1	370047	YOKE
17	1	338221	HOUSING - BRAKE
18	1	338235	HOUSING - CLUTCH
19	1	338242	HOUSING - GEAR
20	1	340011	HUB - BRAKE
21	1	342053	KEY
22	1	342092	KEY
23	2	342153	KEY
24	1	350535	PLATE - HYD. ADAPTER
25	1	352021	PLATE - RETAINER
26	1	357498	SHAFT - DRUM (STD.)
	1	357502	SHAFT - DRUM ("Y")
27	1	358067	CLEVIS
28	1	358069	SHIFTER SHAFT
29	1	362224	SPACER
30	1	368082	WORM R.H.
31	2	400007	BALL - BRAKE
32	8	400011	BALL - CLUTCH
33	2	402045	BEARING - BALL
34	1	412051	BUSHING
35	2	412052	BUSHING
36	1	413074	COVER - AIR SHIFT
37	4	414038	CAPSCREW 1/4-20NC X 3/4 LG HX HD GR5
38	4	414111	CAPSCREW 5/16-18NC X 1 LG HX HD GR5
39	4	414126	CAPSCREW 5/16-18NC X 3/4 LG HX HD
40	8	414277	CAPSCREW 3/8-16NC X 1 LG HX HD GR5 NYLOK HVY P
41	2	414399	CAPSCREW 3/8-24NF X 1-1/4 LG ALL-THRD GR5
42	8	414571	CAPSCREW 1/2-20NF X 1 LG HX HD GR5
43	1	414603	CAPSCREW 1/2-20NF X 1-3/4 LG ALL-THRD GR5
44	2	414619	CAPSCREW 1/2-13NC X 2-1/2 LG HX HD ALL-THRD ZP
45	4	414751	CAPSCREW 3/4-10NC X 1-3/4 GR5 NYLOK HVY PATCH
46	4	414777	CAPSCREW 3/4-10NC X 1-3/4 GR5
47	8	414871	CAPSCREW 5/16-18NC X 1-1/4 LG SOC HD LOK-WEL
48	6	414897	CAPSCREW 3/8-16NC X 1 LG SOC HD
49	6	414909	CAPSCREW 3/8-16NC X 1-3/4 LG SOC HD LOK-WEL
50	2	414950	CAPSCREW 1/2-13NC X 1-3/4 LG SOC HD LOK-WEL
51	1	416061	SETSCREW 3/8-24NF X 1-1/4 LG
52	4	416214	SCREW #10-32NF X 1/4 LG RD HD Z/P
53	4	416262	SCREW #10-32NF X 3/4 LG HX SPC Z/P
54	2	418035	NUT 3/8-16NC HX REG Z/P
55	1	418041	NUT 3/8-24NF HX JAM
56	1	418067	NUT 1/2-20NF HX JAM
57	4	418141	LOCKWASHER #10 MED SECT Z/P
58	4	418163	LOCKWASHER 5/16 MED SECT PLTD
59	4	418184	WASHER - FLAT 3/8 ALUM
60	8	418249	LOCKWASHER 3/4 MED SECT
61	1	424005	COTTER PIN
62	1	424029	CLEVIS PIN
63	1	433016	AIR CYLINDER
64	2	442192	GASKET
65	1	442194	GASKET
66	1	442195	GASKET
67	1	456008	FITTING - RELIEF
68	1	456031	FITTING - LUBE
69	1	456038	BREATHER VENT
70	2	456039	LUBE FITTING
71	1	458048	MOTOR-HYD.
72	2	462013	QUAD-RING
73	3	468002	REDUCER
74	2	468011	PIPE PLUG
75	4	470042	PIN - ROLL
76	4	470044	PIN - DOWEL
77	1	470045	PIN - ROLL
78	4	470056	PIN - ROLL
79	1	474030	PLATE - RETAINER
80	1	486068	SEAL - OIL
81	1	486076	THREAD SEAL
82	1	490025	RING - RETAINER
83	1	494010	SPRING
84	2	494022	SPRING - DISC
85	4	494069	SPRING
86	1	518016	THRUST WASHER
87	1	530007	DISC - BRAKE
88	2	530094	SPACER - BRAKE



**MANUEL D'ENTRETIEN
MODÈLE DE LA GAMME 800 / H-800
TREUILS INDUSTRIELS
BAS ÉQUIPÉS DOW-LOK®**



***CARACTÉRISTIQUES TECHNIQUES** : conformes à la norme SAE J706

Traction nominale (lbs.)		20,000					
du câble (kg)		9,060					
Démultiplication		40:1					
Poids à l'expédition :		800	Y-800	H-800	HY-800		
		315 lbs. (143 Kg)	290 lbs. (132 Kg)	330 lbs. (150 Kg)	325 lbs. (148 Kg)		
Couche de câble		1	2	3	4	5**	
*Traction nominale par couche de câble (lbs.)		20,000	16,600	14,200	12,400	11,000	
(kg)		9,060	7,510	6,430	5,610	4,980	
Capacité du câble 800 / H-800 (ft)		35	75	125	180	240	
(m)*		10	22	38	54	72	
Capacité du câble Y-800 / HY-800 (ft)		20	45	75	110	150	
(m)*		6	13	22	33	45	
*Vitesse du câble	Vitesse de la vis sans fin						
800	570	FPM	22	27	32	35	40
		MPM	6.6	8.1	9.7	10.9	12.3
H-800	460 30 GPM	FPM	18	22	26	29	33
		MPM	5.4	6.6	7.9	8.8	10.0

* Ces spécifications sont basées sur un câble de 16 mm de diamètre en acier de charrue amélioré 6x19

** La cinquième couche n'est pas conforme à la norme SAE J706.

Remarque : les tractions nominales indiquées sont uniquement pour le treuil. Consultez le fabricant du câble pour les caractéristiques nominales de ce dernier.

Félicitations

Les treuils Ramsey sont conçus et fabriqués selon des spécifications rigoureuses. Ils font tous l'objet d'un travail soigné et compétent. En cas de besoin, la procédure de recours en garantie est détaillée au verso de votre carte de garantie préadressée, à port payé. Veuillez lire et remplir la carte de garantie ci-jointe, et l'envoyer à Ramsey Winch Company. En cas de problème avec votre treuil, suivez les instructions fournies afin d'obtenir un service rapide de recours en garantie. Reportez-vous à la prochaine page pour prendre connaissance de la garantie limitée.



MISE EN GARDE : ASSUREZ-VOUS DE LIRE ET DE COMPRENDRE CE MANUEL AVANT D'INSTALLER ET D'UTILISER LE TREUIL. N'OUBLIEZ PAS LES AVERTISSEMENTS ET MISES EN GARDE

Ramsey Winch Company

P.O. Box 581510 - Tulsa, OK 74158-1510 USA
Phone: (918) 438-2760 - Fax (918) 438-6688
<http://www.ramsey.com>

Table des Matières

INTRODUCTION	26
CARACTÉRISTIQUES TECHNIQUES DE FONCTIONNEMENT	26
CONSIGNES DE SÉCURITÉ	28
TECHNIQUES D'UTILISATION	28
FIXATION DU TREUIL	29
INSTALLATION DU CÂBLE	29
ENTRETIEN DU TREUIL	29
SYSTÈMES HYDRAULIQUES, GRAPHIQUES DE PERFORMANCES	30
SCHÉMA TYPE DE MONTAGE/ DU SYSTÈME HYDRAULIQUE	30
GUIDE DE RÉOLUTION DES PROBLÈMES	31
RÉGLAGE DE L'EMBRAYEUR PNEUMATIQUE	31
RÉGLAGE DU FREIN À VIS SANS FIN REFROIDI PAR HUILE	32
ENTRETIEN DU FREIN À VIS SANS FIN REFROIDI PAR HUILE	32
REMONTAGE ET VÉRIFICATION DU FREIN	33
TEST DE MONTAGE CORRECT DU FREIN	33
INSTRUCTIONS DE VÉRIFICATION DU MONTAGE ET DU RÉGLAGE DU FREIN À VIS SANS FIN	33
INSTRUCTIONS DE RÉVISION DÉPOSE	34-36
REMONTAGE	36-38
SCHÉMAS COTÉS	39-42
LISTE ET SCHÉMA DES PIÈCES	43-50

GARANTIE LIMITÉE

RAMSEY WINCH garantit chaque treuil RAMSEY neuf contre tout défaut de matériau et de fabrication pendant une période d'un (1) an à partir de la date d'achat. L'obligation aux termes de cette garantie, statutaire ou autre, est limitée au remplacement ou à la réparation à l'usine du fabricant, ou à un endroit désigné par le fabricant, de la pièce qui semblera présenter un défaut de fabrication ou de matériau, suite à l'inspection effectuée par le fabricant.

Cette garantie n'oblige pas RAMSEY WINCH à s'acquitter des frais de main-d'œuvre ou de transport liés au remplacement ou à la réparation des pièces défectueuses, et ne s'applique pas à un produit ayant subi des réparations ou des modifications (sauf si elles ont été autorisées par le fabricant), ou en cas de mauvaise utilisation de l'équipement, de négligence ou de matériel mal installé.

RAMSEY WINCH ne pourra en aucun cas être tenue responsable des dommages particuliers et indirects. RAMSEY WINCH n'émet aucune garantie au sujet des accessoires et portant par exemple sur les garanties de leurs fabricants respectifs. RAMSEY WINCH s'efforce de poursuivre une politique d'amélioration constante et se réserve par conséquent le droit d'améliorer ses produits par le biais de modifications de leur conception ou des matériaux employés, selon les besoins, et sans être obligée d'incorporer ces modifications aux produits fabriqués précédemment.

En cas d'intervention sur le terrain à la demande de l'acquéreur, et si la défaillance s'avère ne pas provenir du produit RAMSEY WINCH, l'acquéreur s'engage à s'acquitter auprès du représentant des frais correspondant au temps et aux dépenses.

Les factures d'entretien, de main-d'œuvre et autres frais engagés par l'acquéreur sans l'accord ou l'autorisation de RAMSEY WINCH ne seront pas acceptées.

Reportez-vous à la carte de garantie pour les détails.

MISE EN GARDE!

NE PAS SE SERVIR DU TREUIL
POUR SOULEVER OU DÉPLACER
DES PERSONNES



MISE EN GARDE!

LE CÂBLE PEUT BLESSER!
RESTER À L'ÉCART



Consignes De Sécurité Pour Éviter Les Risques De Blessures

- A. L'EMBRAYAGE DOIT ÊTRE ENTIÈREMENT ENCLENCHÉ AVANT DE COMMENCER TOUT TREUILLAGE.
- B. NE RELÂCHEZ JAMAIS L'EMBRAYAGE EN PRÉSENCE D'UNE CHARGE.
- C. NE VOUS PLACEZ JAMAIS SOUS UNE CHARGE SOULEVÉE NI À PROXIMITÉ.
- D. RESTEZ À L'ÉCART DU CÂBLE LORS DU TREUILLAGE. N'ESSAYEZ PAS DE GUIDER LE CÂBLE.
- E. NE DÉPASSEZ PAS LES CARACTÉRISTIQUES DE TRACTION NOMINALES MAXIMALES INDIQUÉES DANS LES CARACTÉRISTIQUES TECHNIQUES.
- F. N'UTILISEZ PAS LE TREUIL POUR SOULEVER, MAINTENIR OU TRANSPORTER DES PERSONNES.
- G. IL CONVIENT DE CONSERVER AU MINIMUM CINQ TOURS DE CÂBLE AUTOUR DU TAMBOUR POUR MAINTENIR LA CHARGE. L'ATTACHE DU CÂBLE N'EST PAS CONÇUE POUR ASSURER LE MAINTIEN D'UNE CHARGE.

Techniques d'utilisation

Pour vous familiariser avec votre treuil, il est vivement conseillé de l'essayer avant de vraiment l'utiliser. Préparez votre essai à l'avance. N'oubliez pas que vous entendez votre treuil autant que vous le voyez fonctionner. Apprenez à reconnaître le son d'une traction légère et régulière, celui d'une lourde charge ou encore celui provoqué par des à-coups ou une déviation de la charge. Prenez l'habitude de faire fonctionner votre treuil et tout deviendra automatique.

L'enroulement irrégulier du câble lors de la traction d'une charge ne présente pas de problème sauf en cas d'accumulation du câble sur un côté du tambour. Dans ce cas, inversez le fonctionnement du treuil afin de soulager la charge et déplacez votre point d'attache vers le centre du véhicule. Une fois le travail terminé, vous pouvez dérouler le câble et l'enrouler à nouveau d'une manière régulière.

L'embrayage Dow-Lok® permet d'enrouler librement et d'enclencher l'embrayage avec le tambour du câble. Lorsque l'embrayage est désenclenché, le câble peut se dérouler librement du tambour. Pour treuiller une charge, il doit être complètement enclenché. L'embrayage Dow-Lok® se bloque en position enclenchée rentrée ou en position désenclenchée sortie au moyen d'une goupille qui s'insère dans le trou correspondant au bas de la manette d'embrayeur.

POUR DÉBLOQUER L'EMBRAYAGE

Faites fonctionner le treuil en marche arrière (déroulement) afin de dégager la charge du câble. Saisissez fermement la poignée tout en poussant sur le dessus avec le pouce, puis soulevez jusqu'à ce que la goupille se dégage des trous de blocage.

POUR ENCLENCHER L'EMBRAYAGE

Débloquez la poignée et tirez-la autant que possible en position rentrée. Afin de garantir un enclenchement complet, les éléments internes de l'embrayage doivent être alignés. Cet alignement s'obtient lorsque le tambour du câble ou son arbre tourne au maximum d'un quart de tour. L'embrayage s'enclenche automatiquement et la goupille tombe dans les trous de position rentrée lorsque l'alignement est obtenu. **N'essayez pas de soulever de charge si la goupille n'est pas complètement dans les trous de position rentrée. Restez à distance de la poignée à ressort pendant l'enclenchement automatique.**

POUR DÉGAGER L'EMBRAYAGE

Débloquez et poussez la poignée en position sortie, puis insérez la goupille dans les trous de blocage. **Ne désenclenchez pas l'embrayage en présence d'une charge.**

L'embrayeur pneumatique Dow-Lok® permet de rembobiner librement et d'enclencher l'embrayage avec le tambour du câble. Lorsque l'embrayage est désenclenché, le câble peut se dérouler librement du tambour. Pour treuiller une charge, l'embrayage doit être complètement enclenché sur le tambour.

POUR ENCLENCHER L'EMBRAYAGE

Avant d'essayer d'enclencher l'embrayage, veillez à ce que 33 cm de mou au moins soient présents au niveau du câble. Ceci permettra au tambour de tourner d'au moins un quart de tour et d'enclencher ainsi l'embrayage avant de prendre la charge. Avec ce mou au niveau du câble, éliminez la pression d'air du cylindre d'embrayage pneumatique. Faites fonctionner le treuil en position d'enroulement jusqu'à ce que l'embrayage commence à tourner. **L'embrayage doit être entièrement enclenché avant de lancer le fonctionnement du treuil.**

POUR DÉGAGER L'EMBRAYAGE

Faites fonctionner le treuil en direction de déroulement jusqu'à l'absence de charge au niveau du câble. Appliquez une pression de 480 à 620 kPa au niveau du cylindre de l'embrayage pneumatique pour désenclencher l'embrayage. **Ne désenclenchez pas l'embrayage en présence d'une charge.**

FIXATION DU TREUIL

Le treuil doit absolument être monté correctement afin que les trois principales parties soient alignées (l'extrémité du carter d'embrayage, le tambour du câble et l'extrémité de la boîte d'engrenages).

Tous les treuils standard de la gamme H-800 Dow-Lok® sont livrés avec les cornières de montage recommandées. Ces cornières mesurent 12 x 76 x 101 mm et sont fabriquées en acier haute résistance.

INSTALLATION DU CÂBLE

Le treuil Ramsey H-800 Dow-Lok® comporte deux logements effilés, moulés dans le tambour. L'un d'eux s'emploie pour les installations requérant un enroulement du câble par-dessus le tambour. L'autre pour un enroulement par-dessous le tambour.

1. Insérez le câble dans la partie étroite du logement, contre la collerette du tambour.
 2. Enroulez le câble autour du galet d'ancrage et retirez les deux dans l'extrémité large du logement.
 3. Utilisez un marteau-caoutchouc pour acheminer l'arrière du câble, en le plaçant fermement ainsi que l'ancrage dans le logement.
- Le câble peut se retirer facilement du tambour en faisant sortir l'ancrage du logement.

Le treuil Ramsey Y-800/HY-800 (tambour « Y ») Dow-Lok® est muni d'une vis de pression pour fixer le câble sur le tambour.

1. Insérez l'extrémité du câble opposée au crochet dans le trou de 17 mm de diamètre du tambour. Fixez le câble sur le tambour au moyen de la vis de pression fournie avec le treuil. **SERREZ FERMEMENT LA VIS.**
2. Faites tourner avec précaution le treuil dans le sens de l'enroulement, conservez une tension sur l'extrémité du câble et enroulez tout le câble sur le tambour en veillant à former des couches régulières.

ENTRETIEN DU TREUIL

Adhering to the following maintenance schedule will keep your winch in top condition and performing as it should with a minimum of repair.

A. HEBDOMADAIRE

1. Vérifiez le niveau d'huile et maintenez-le au niveau du bouchon. En cas de fuite d'huile, déterminez l'emplacement de la fuite et réparez.
2. Vérifiez le bouchon d'échappement en haut de la boîte d'engrenages. Assurez-vous qu'il fonctionne bien afin que les gaz issus de l'huile chaude puissent être évacués.
3. Lubrifiez le câble avec de l'huile légère.

B. MENSUEL

1. Lubrifiez les divers graisseurs situés dans le tambour du câble, le roulement d'extrémité, le carter d'embrayage ou la tringlerie d'embrayage. Vous pouvez utiliser toute graisse de bonne qualité contenant du bisulfure de molybdène.
2. Vérifiez l'action du crabot baladeur et assurez-vous qu'il s'enclenche sur le tambour du câble et s'en dégage complètement. Retirez le bouchon en plastique du haut du carter et vérifiez si l'embrayage s'enclenche bien. S'il ne s'enclenche pas à fond, examinez les pièces de l'embrayeur afin de déceler toute trace de détérioration ou d'usure excessive, et procédez aux remplacements éventuellement nécessaires. Observez les mâchoires de l'embrayage et du tambour afin de déceler tout arrondissement des surfaces. Si elles se sont arrondies, changez immédiatement les pièces.
3. En présence d'un embrayage Dow-Lok®, vérifiez le fonctionnement de la bague de blocage. Assurez-vous qu'elle est à ressort et qu'elle peut se déplacer librement contre le tambour du câble en position enclenchée. Vérifiez également si elle se dégage bien du tambour et se bloque bien lors du désenclenchement.
4. Vérifiez les boulons de fixation du treuil. Remplacez tout boulon manquant et serrez fermement les autres. Veillez à utiliser uniquement des boulons de grade 5 ou supérieure.
5. Vérifiez le couple de serrage du frein à vis sans fin refroidi à l'huile. Procédez à tout réglage nécessaire, conformément à la procédure décrite dans la section RÉGLAGE DU FREIN À VIS SANS FIN REFROIDI PAR HUILE du manuel de l'utilisateur.
6. Examinez le câble. Tout câble dénudé ou effiloché doit être remplacé immédiatement.

C. ANNUELLEMENT

1. Le treuil doit être vidangé une fois par an ou plus souvent en cas d'usage fréquent.
2. Remplissez le treuil de kérosène propre jusqu'au niveau du bouchon de niveau d'huile. Faites fonctionner le treuil quelques minutes sans charge dans le sens de l'enroulement. Éliminez le kérosène du treuil.
3. Remplissez le treuil d'huile pour engrenages E.P. 140 polyvalente jusqu'au bouchon de niveau d'huile.
4. Examinez le châssis et la structure afin de déceler toutes déformations ou fissures éventuelles.
5. Pour évaluer l'usure des engrenages, secouez le tambour et, si nécessaire, vidangez l'huile et retirez le couvercle pour un examen plus approfondi

CARACTÉRISTIQUES DU SYSTÈME HYDRAULIQUE

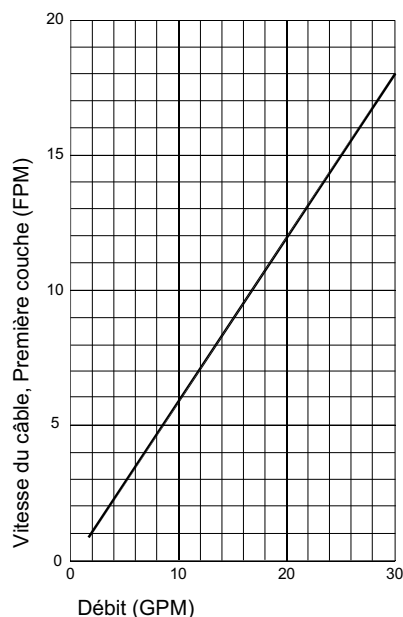
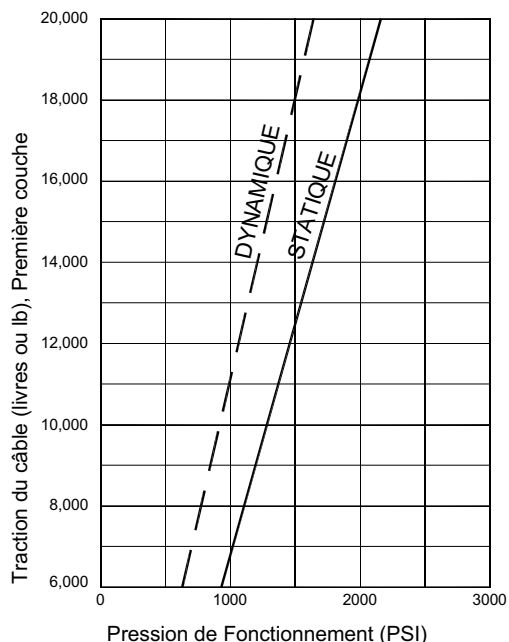
Reportez-vous aux diagrammes de performances ci-dessous, pour établir une correspondance entre votre système hydraulique et le fonctionnement de votre treuil de la gamme H-800 Dow-Lok®. Ces diagrammes sont constitués des éléments suivants :

1. Traction du câble (livres ou lb), première couche / pression de fonctionnement (PSI). STATIQUE (ligne continue) se réfère au treuillage d'une charge suspendue à partir d'un point de repos ; DYNAMIQUE (ligne en pointillés) se réfère au maintien du mouvement d'une charge en déplacement.
2. Vitesse du câble, première couche (FPM) / Débit, en gallons par minute (GPM).

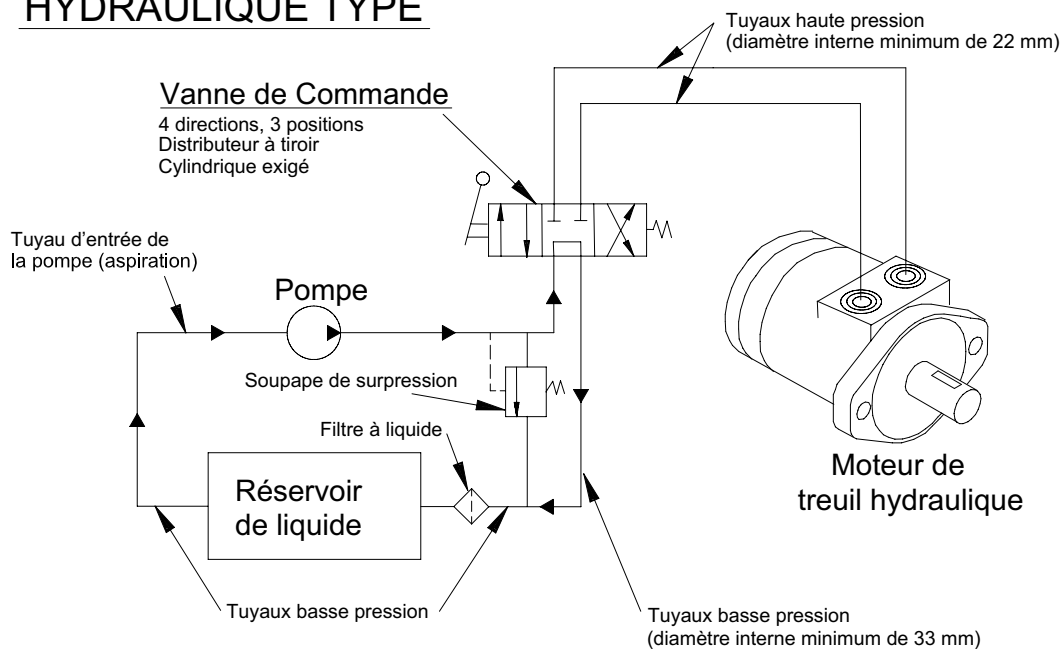
Ces performances sont basées sur une cylindrée de moteur de 244 cm³ avec un débit maximum de 113 l/min. Reportez-vous à la page 40 pour la taille de l'arrivée du moteur.

Performances des gammes H-800 et HY-800

Caractéristiques nominales de 9000 kg rapport d'engrenages de 40:1



MONTAGE HYDRAULIQUE TYPE

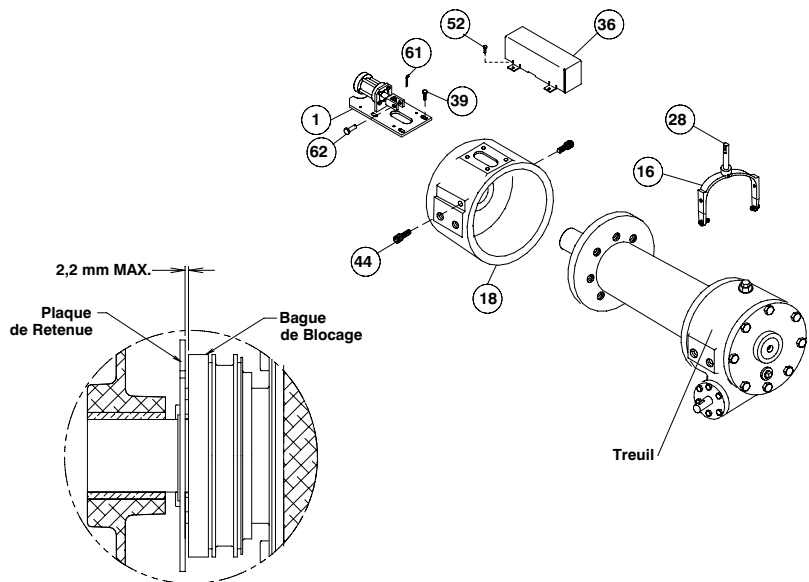


GUIDE DE RÉOLUTION DES PROBLÈMES

PROBLÈME	CAUSE POSSIBLE	SOLUTION
L'EMBRAYAGE NE FONCTIONNE PAS OU SE GRIPPE	1. Arbre sec ou rouillé. 2. Fourchette ou tringlerie courbée.	1. Nettoyez et lubrifiez. 2. Remplacez la fourchette ou l'arbre.
FUITE D'HUILE AU NIVEAU DU CARTER	1. Joint d'étanchéité endommagé ou usé. 2. Trop d'huile. 3. Joint statique endommagé.	1. Remplacez le joint. 2. Vidangez l'excédent d'huile. Reportez-vous aux Techniques d'utilisation. 3. Remplacez le joint statique.
LA CHARGE GLISSE	1. Le frein à vis sans fin est usé. 2. Le frein à vis sans fin s'est dérégulé.	1. Remplacez le disque de frein (cf. page 32). 2. Tournez le boulon de réglage d'un quart de tour dans le sens des aiguilles d'une montre ou jusqu'à ce que la charge arrête de glisser.
LE TREUIL FONCTIONNE TROP LENTEMENT	1. Moteur hydraulique usé. 2. Le débit est faible.	1. Remplacez le moteur. 2. Vérifiez le débit. Reportez-vous aux diagrammes des systèmes hydrauliques de la page 30.
LE TAMBOUR NE TOURNE PAS LIBREMENT	1. Le treuil est mal monté, ce qui entraîne un grippage du tambour par les roulements de l'extrémité.	1. Vérifiez le montage. Reportez-vous à la rubrique Fixation du treuil de la page 29.
LE CÂBLE SE DÉTEND LORSQUE L'EMBRAYAGE EST RELÂCHÉ	1. Disque du sabot d'appui usé.	1. Remplacez les disques.
LE FLUIDE HYDRAULIQUE FUIT AU NIVEAU DU TROU DE L'ADAPTATEUR	1. Joint de l'arbre moteur endommagé.	1. Remplacez le joint d'étanchéité.

RÉGLAGE DE L'EMBRAYEUR PNEUMATIQUE

1. Remplacez le treuil dans le châssis de fixation et fixez-le au moyen des huit boulons de fixation et des rondelles de sécurité. Serrez chaque boulon à un couple de 393 Nm. Assurez-vous que la boîte d'engrenages et le carter d'embrayage ne frottent pas contre les collerettes du tambour.
2. Placez l'embrayeur pneumatique n° 5 par-dessus la chape d'alignement de son arbre, au-dessus des parties planes de l'arbre. Fixez la chape sur l'arbre au moyen de la goupille n° 76 et de la goupille fendue n° 75. Placez l'arbre de l'embrayeur en position ENCLENCHÉE. Tandis que l'arbre du cylindre pneumatique est entièrement rentré, poussez l'embrayeur vers le tambour jusqu'à ce que tout le jeu ait disparu de l'arbre de l'embrayeur. Fixez l'embrayeur sur le carter d'embrayage au moyen de quatre vis d'assemblage n° 46 (tête-embase hexagonale dentelée). Serrez fermement mais sans clé dynamométrique.
3. Branchez l'air (480 à 620 kPa) sur l'entrée du cylindre pneumatique et désenclenchez l'embrayage. Regardez dans l'ouverture du carter d'embrayage et vérifiez si la bague de blocage et la plaque de retenue ne sont pas en contact. Ces deux pièces ne doivent pas se toucher. Un dégagement (espace) de 2,2 mm maximum doit se trouver entre la bague de blocage et la plaque de retenue lorsque le treuil est complètement désenclenché. En cas de contact, il convient de desserrer les quatre vis d'assemblage n° 46 et d'écarter la plaque du tambour d'environ 1,5 mm. Serrez fermement les vis et vérifiez si le dégagement souhaité est obtenu. Répétez le réglage autant de fois qu'il sera nécessaire pour obtenir l'espace nécessaire. Actionnez l'embrayage 2 ou 3 fois pour vérifier son bon fonctionnement. Après le réglage final, serrez les quatre vis d'assemblage n° 46 à un couple de 24 Nm chacune. Fixez le couvercle n° 43 au moyen de quatre vis d'assemblage n° 61.



RÉGLAGE DU FREIN À VIS SANS FIN REFROIDI PAR HUILE

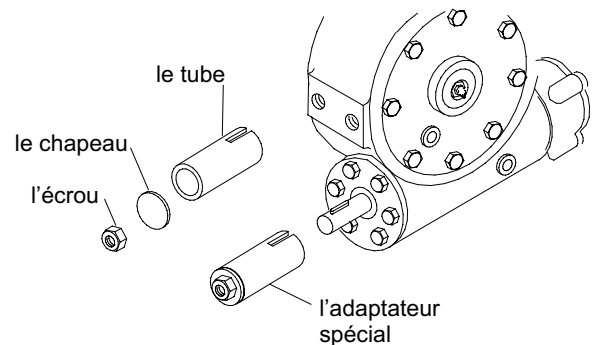
Le frein de sécurité automatique, entièrement réglable et refroidi par huile fonctionne dans le lubrifiant de la boîte de la vis, et toutes ses pièces sont plongées dans l'huile. Lorsque le frein s'use au point que la charge commence à glisser, il est possible de le régler comme indiqué ci-dessous :

1. Desserrez le contre-écrou de la vis de réglage.
2. Serrez le frein en tournant la vis de réglage dans le sens des aiguilles d'une montre. MISE EN GARDE : il suffit normalement d'un quart de tour pour régler le frein. Tout serrage excessif pourrait entraîner une surchauffe et endommager les pièces du frein. Resserrez le contre-écrou une fois l'opération terminée.

Si le réglage ne produit pas l'effet escompté, un ressort à lames et un disque de frein neufs sont nécessaires.

Une clé dynamométrique peut être équipée d'un adaptateur spécial pour s'adapter à l'arbre d'entrée (vis) du treuil. Cette pièce peut être formée en soudant un écrou sur le bout d'un tube, comme indiqué sur la figure suivante.

Après avoir soudé le chapeau et l'écrou sur le tube, rainurez le tube comme indiqué. Ceci permet à l'adaptateur spécial de glisser sur la rainure et d'être employé comme une grosse douille. Il est alors possible d'utiliser une clé dynamométrique pour serrer au couple souhaité. Tournez la clé de manière à ce que le tambour tourne dans le sens de déroulement ou de descente. Le couple de serrage est de 67 à 74 Nm. Si la clé dynamométrique n'indique pas la bonne valeur en tournant, il convient alors de tourner le boulon de réglage du frein à vis sans fin d'un quart de tour dans le sens des aiguilles d'une montre. Vous devez vérifier le couple de serrage à chaque fois que vous tournez le boulon de réglage. Continuez ainsi jusqu'à l'obtention du couple de serrage souhaité. Serrez ensuite le contre-écrou.



ENTRETIEN DU FREIN DE SÉCURITÉ REFROIDI PAR HUILE

1. Retirez le bouchon de vidange et videz l'huile de la boîte de la vis sans fin.
2. Desserrez le contre-écrou puis la vis de réglage, d'au moins deux tours chacun en les tournant dans le sens inverse des aiguilles d'une montre.
3. Retirez les vis de fixation du couvercle.
4. Retirez le couvercle avec le ressort hélicoïdal et le ressort à lames.
5. Retirez la plaque de retenue, le disque de frein en matière composite, le disque à cames et les billes. Notez bien les logements dans lesquels se trouvent les billes.
6. Examinez les pièces de la manière suivante :

- a. Les disques de frein en matière composite mesurent 6 mm d'épaisseur lorsqu'ils sont neufs. Ils doivent être remplacés lorsqu'ils font moins de 4 mm ou si les surfaces sont polies ou brûlées.
- b. Examinez la surface plate du disque à cames et de la plaque de retenue afin de vous assurer qu'elle n'est pas glacée, voilée ou autrement détériorée. Le glaçage peut être enlevé en raclant avec précaution.
- c. Examinez le ressort à lames. Il doit être arqué de 3 mm.

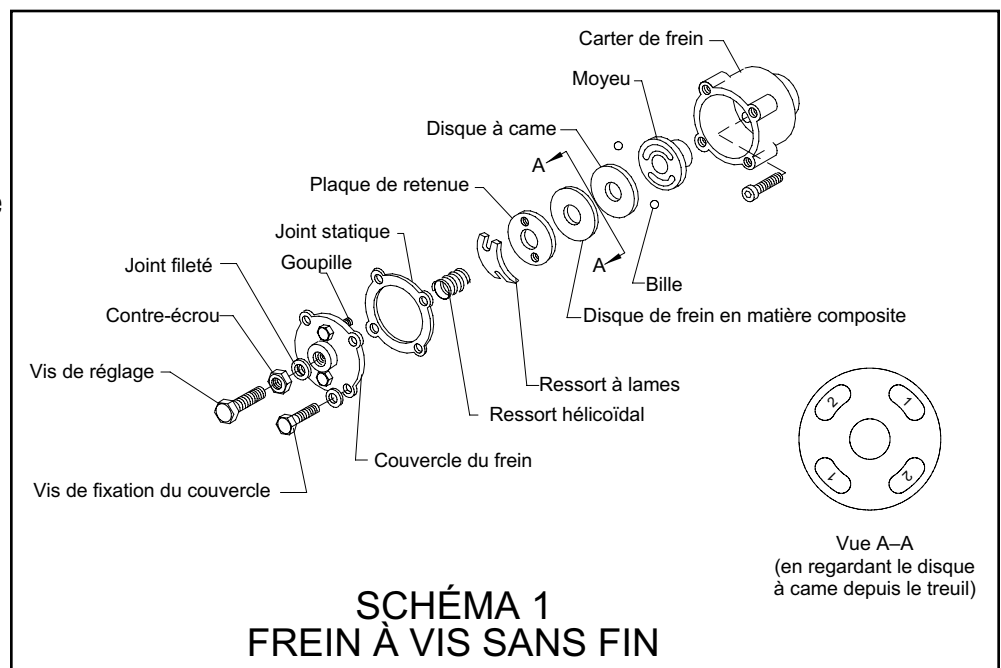


SCHÉMA 1
FREIN À VIS SANS FIN

REMONTAGE ET VÉRIFICATION DU FREIN

1. Appuyez sur le moyeu de frein pour le mettre en place sur la clavette et sur la tige de la vis sans fin.
2. Placez les billes dans les logements correspondants du disque à cames (cf. schéma 1 de la page 32). Utilisez de la graisse dure pour maintenir les billes en place et faites glisser la came sur l'extrémité de la vis. Assurez-vous que les billes sont bien en place entre les logements de la came et ceux du moyeu. Reportez-vous à la page 33 pour déterminer le réglage de logements de billes correct.
3. Installez le disque.
4. Installez la plaque de retenue, côté lisse vers le disque du frein.
5. Installez le joint statique sur le couvercle avec une petite quantité de graisse ou de produit d'étanchéité.
6. Le ressort hélicoïdal se place sur la vis de réglage, à l'intérieur du couvercle.
7. Placez les encoches du ressort à lames sur les broches dépassant du couvercle. Le côté creux du ressort à lames se trouve vers le frein.
8. Installez le couvercle du carter de frein, et assurez-vous que les broches en saillie passent dans le ressort à lames pour atteindre les trous de la plaque de retenue.
9. Fixez le couvercle en place au moyen des vis de fixation. Mettez le bouchon de vidange et ajoutez 0,47 l d'huile E.P. 140 polyvalente.
10. Faites tourner le treuil dans la direction de traction sur au moins un tour de l'arbre d'entrée.
11. Tournez la vis de réglage jusqu'à ce qu'elle soit serrée à la main.

TEST DE MONTAGE CORRECT DU FREIN

Une fois le frein réglé au couple de serrage correct, désenclenchez l'embrayage. Démarrez le moteur du véhicule et faites fonctionner le treuil dans le sens de traction / enroulement. Laissez-le tourner ainsi pendant une minute.

Placez la main sur le carter du frein de sécurité. S'il n'est pas chaud au toucher, faites fonctionner le treuil dans l'autre sens (déroulement) pendant une minute. Le carter devrait commencer à chauffer.

Si cela se produit, l'installation est correcte. Si la chaleur se sent en marche avant (traction), le frein doit être redémonté. Une fois démonté, placez les billes dans l'autre ensemble de logements du disque à cames, puis suivez attentivement les instructions de remontage et de vérification du frein.

INSTRUCTIONS DE VÉRIFICATION DU MONTAGE ET MISE EN PLACE DU FREIN À VIS SANS FIN

Lorsque le frein à vis sans fin est monté, il doit être réglé avec les billes dans l'ensemble n° 1 ou 2 des logements de came (cf. vue A-A, page 5). Cette information figure sur la plaque signalétique et dépend de l'installation initiale en usine.

Trois facteurs déterminent la position des billes :

1. Le sens d'enroulement du câble sur le tambour. L'enroulement se fait normalement PAR-DESSUS LA PARTIE SUPÉRIEURE du tambour.
2. La configuration de l'ensemble d'engrenages, droite ou gauche. La dernière lettre du numéro de modèle du treuil, R ou L, indique droite ou gauche pour l'ensemble d'engrenages. Exemple : R-20AR, R-30L, 700R, 800L.
3. Le côté du treuil sur lequel se trouve l'arbre d'entrée. L'ARBRE D'ENTRÉE SE TROUVE NORMALEMENT VERS LA CABINE. Le réglage du frein n'est aucunement modifié, que la boîte d'engrenages soit à droite ou à gauche du treuil.

EXEMPLE : lorsque le câble s'enroule par-dessus le haut du tambour, le treuil a un engrenage taillé à droite et l'arbre d'entrée se trouve vers la cabine (schéma 2) ; les billes doivent alors se trouver dans les logements n° 2.

Si l'un de ces trois facteurs diffère de ceux spécifiés ci-dessus, les billes doivent être placées dans les logements n° 1. Une deuxième modification de ces facteurs implique la disposition initiale. Par contre, si les trois sont différents, les billes doivent être dans les logements n° 1. (Reportez-vous aux pages 32 et 33 pour les instructions de montage et de démontage.)

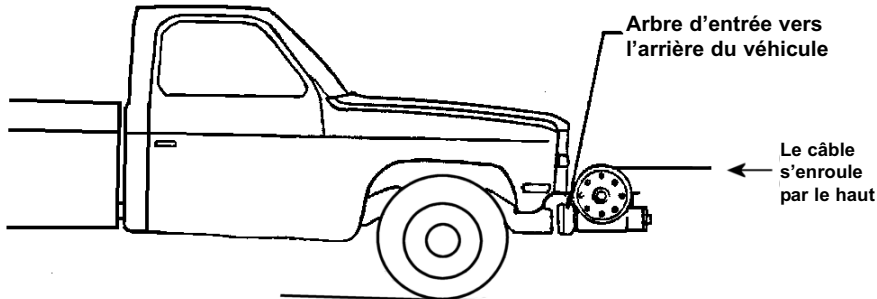


SCHÉMA 2

INSTRUCTIONS DE RÉVISION DES TREUILS RAMSEY DOW-LOK® DE LA GAMME H-800

Dépose

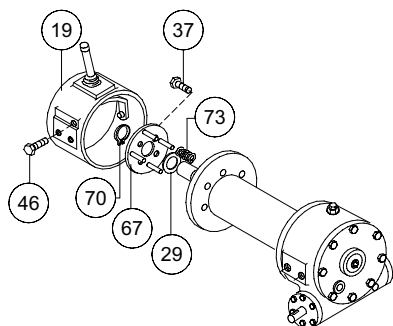
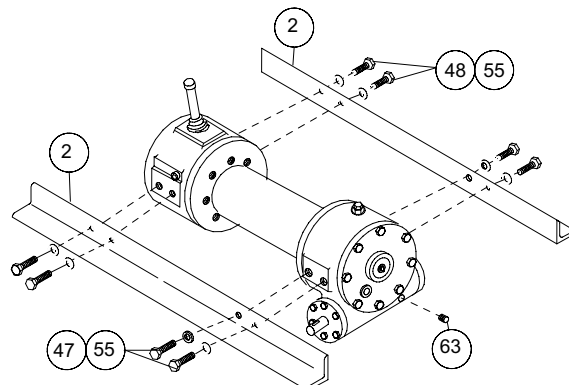
Reportez-vous aux pages de listes et de schémas des pièces pour les numéros des pièces et les références correspondantes.

(1)

Retirez le bouchon cylindrique (pièce n° 63) de la boîte d'engrenages afin d'en vidanger l'huile.

Faites passer l'embrayage en position rentrée.

Retirez les cornières (pièce n° 2) du treuil.



(2)

Retirez les deux vis d'assemblage (pièce n° 46) du carter d'embrayage (pièce n° 19) et débloquez l'embrayeur.

Retirez le carter d'embrayage de l'extrémité de l'arbre moteur. Appuyez sur la plaque de retenue (pièce n° 67) afin de relâcher la tension sur le ressort, puis retirez la bague de retenue (pièce n° 70).

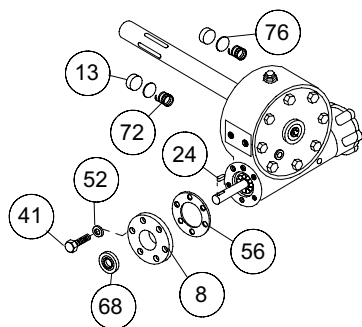
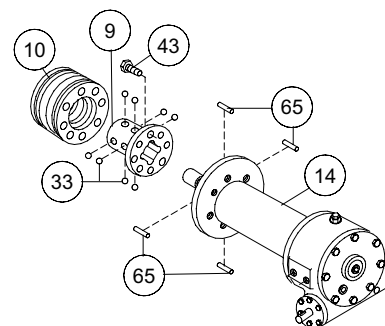
Retirez les quatre vis d'assemblage (pièce n° 37), la plaque de retenue (pièce n° 67), les ressorts (pièce n° 73) et l'entretoise (pièce n° 29).

(3)

Faites glisser la bague de blocage (pièce n° 10) de l'embrayage. REMARQUE : la bague de blocage ne peut pas être retirée si l'embrayage n'est pas enclenché, avec les chevilles de centrage (pièce n° 65) placées dans les rainures de l'arbre.

Faites tourner le tambour de manière à pouvoir retirer les huit billes (pièce n° 33) et les quatre chevilles de centrage (pièce n° 65).

Le cas échéant, l'embrayage (pièce n° 9) peut être démonté du tambour en retirant les huit vis d'assemblage (pièce n° 43). Faites glisser le tambour (pièce n° 14) de son arbre.



(4)

Retirez la clavette (pièce n° 24) de l'arbre à vis sans fin.

Retirez le chapeau de palier (pièce n° 8) et le joint statique (pièce n° 56) en enlevant les six vis d'assemblage (pièce n° 41) et leurs rondelles (pièce n° 52).

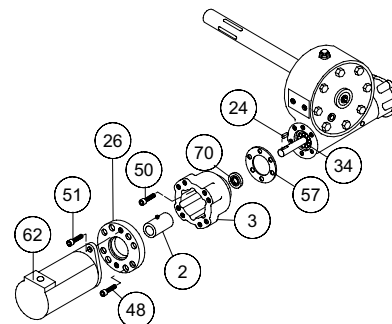
Retirez le joint d'étanchéité (pièce n° 68) du chapeau de palier et appuyez sur le joint neuf pour le mettre en place.

Examinez le disque du sabot d'appui (pièce n° 13), l'entretoise (pièce n° 76) et le ressort (pièce n° 72), et remplacez-les si besoin est.

(5)

Retirez le moteur (pièce n° 62) de la plaque adaptatrice (pièce n° 26) en retirant les vis d'assemblage (pièce n° 51). Pour retirer la plaque adaptatrice et le raccordement (pièce n° 2) de l'adaptateur (pièce n° 3), dévissez les huit vis d'assemblage (pièce n° 48). Retirez la clavette (pièce n° 24) de l'arbre à vis sans fin.

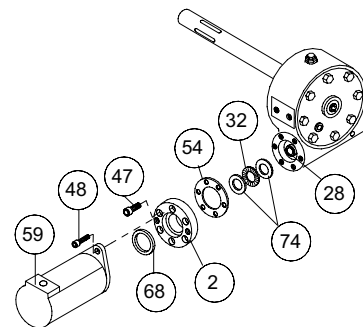
Dévissez les six vis d'assemblage (pièce n° 50) et retirez l'adaptateur de la boîte d'engrenages. Remplacez le joint d'étanchéité (pièce n° 70) et le joint statique (pièce n° 57) de l'adaptateur.



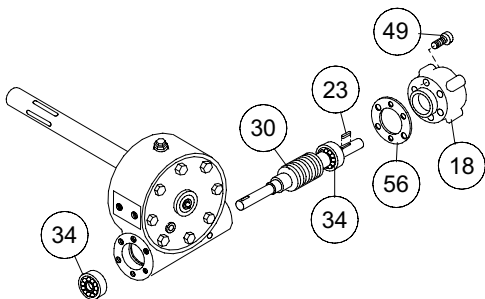
(5a)

Pour retirer le moteur (pièce n° 59) de l'adaptateur (pièce n° 2), enlevez les deux vis d'assemblage et leurs rondelles de sécurité (pièces n° 48 et 52).

Retirez les six vis d'assemblage (pièce n° 47) pour sortir l'adaptateur (pièce n° 2) de la boîte d'engrenages. Remplacez le joint pilote (pièce n° 68) et le joint statique (pièce n° 54). Retirez le palier de butée (pièce n° 32) et les rondelles de butée (pièce n° 74).



(6)



Reportez-vous à la rubrique ENTRETIEN DU FREIN DE SÉCURITÉ REFOIDI PAR HUILE de la page 32. Retirez les six vis d'assemblage (pièce n° 49) pour sortir le carter de frein (pièce n° 18) de la boîte d'engrenages. Retirez la clavette (pièce n° 23) de la vis sans fin. Retirez la vis sans fin (pièce n° 30) et les roulements (pièce n° 34) de la boîte d'engrenages. Utilisez un marteau-caoutchouc pour tapoter l'extrémité d'entrée de la vis sans fin et sortir cette dernière ainsi que le roulement de la boîte d'engrenages.

Une fois la vis sans fin retirée de la boîte, le roulement peut se dégager du bout de la vis.

Examinez la vis sans fin (pièce n° 30) et les roulements (pièce n° 34) afin de vous assurer qu'ils ne sont ni usés ni endommagés. Le cas échéant, remplacez les pièces.

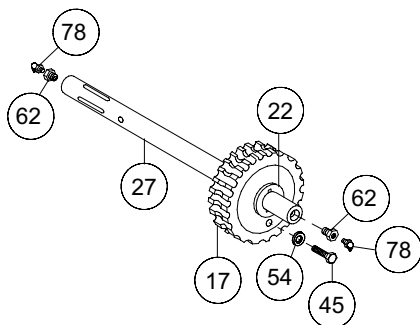
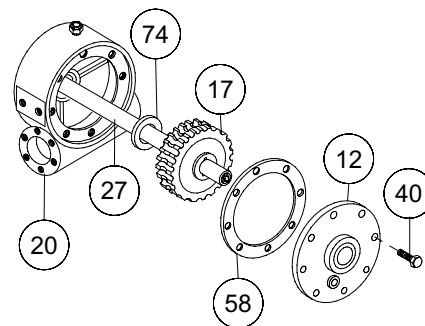
(7)

Retirez le couvercle (pièce n° 12) de la boîte d'engrenages (pièce n° 20) en dévissant les huit vis d'assemblage (pièce n° 40).

Enfilez deux de ces vis dans les deux trous taraudés du couvercle et serrez-les.

Ceci désolidarise le couvercle de la boîte d'engrenages.

Retirez le joint statique (pièce n° 58) du couvercle et tirez l'arbre (pièce n° 27) avec la roue (pièce n° 17) et l'entretoise (pièce n° 74) de la boîte d'engrenages.



(8)

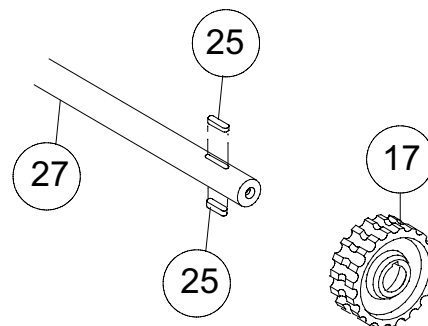
Vérifiez si les dents de la roue ne présentent pas de trace d'usure. Remplacez la roue, le cas échéant.

Vérifiez les raccords de graissage (pièce n° 78) et remplacez-les si nécessaire. Retirez les raccords de graissage (pièce n° 78) et les réducteurs (pièce n° 62) des extrémités de l'arbre, si vous suivez le point 9, et réinstallez-les après ce point 9.

(9)

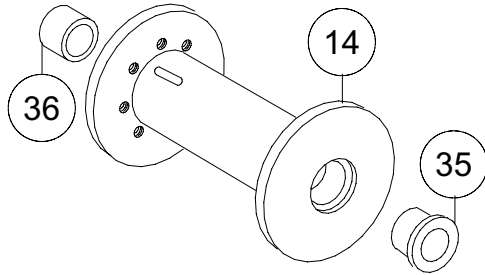
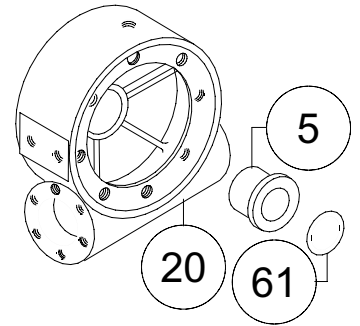
Si l'arbre et/ou le moyeu d'engrenage sont endommagés, remplacez-les comme indiqué ci-dessous.

- Tapotez sur les clavettes (pièce n° 25) afin de les placer dans les rainures courtes de l'arbre du tambour (pièce n° 27).
- Enfoncez l'arbre (pièce n° 27) et les clavettes dans le moyeu d'engrenage (pièce n° 17) jusqu'à ce que l'extrémité des clavettes de la longue extrémité de l'arbre soit au même niveau que le moyeu.



(10)

Vérifiez si la bague de la boîte d'engrenages (pièce n° 5) et le joint torique (pièce n° 63) ne sont pas usés. Si nécessaire, remplacez-les en appuyant sur la bague usagée pour la sortir de la boîte d'engrenages (pièce n° 20). Appuyez sur la bague neuve pour la mettre en place et insérez un joint torique neuf (pièce n° 61) dans la rainure à l'intérieur de la bague.

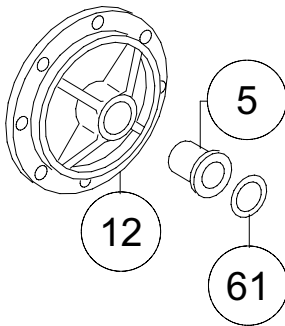
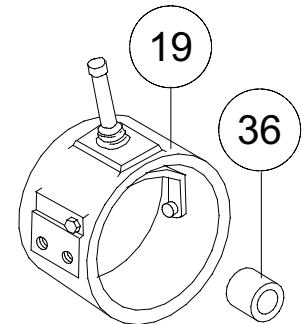


(11)

Vérifiez si les bagues du tambour (pièces n° 35 et 36) ne sont pas usées. Le cas échéant, sortez-les du tambour pour les remplacer (pièce n° 14). Placez la bague (pièce n° 35) dans l'alésage du tambour avec sa bride contre le bas du contre-alésage. Pressez la bague (pièce n° 36) dans l'alésage opposé du tambour jusqu'à ce que l'extrémité de la bague dépasse de 12 mm de l'extrémité du tambour.

(12)

Vérifiez la bague (pièce n° 36) du roulement d'extrémité pour déceler toute trace d'usure. Le cas échéant, retirez la bague usagée et remplacez-la par une neuve.



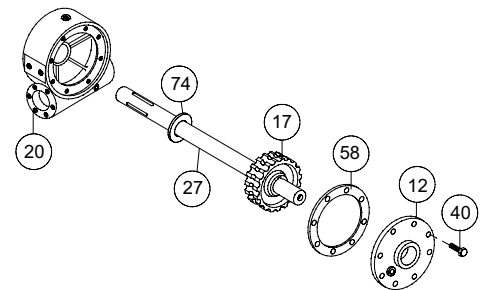
(13)

Vérifiez si la bague du couvercle (pièce n° 5) et le joint torique (pièce n° 61) ne sont pas usés. Si nécessaire, remplacez-les en appuyant sur la bague usagée pour la sortir du couvercle de la boîte d'engrenages (pièce n° 12). Appuyez sur la bague neuve pour la mettre en place et insérez un joint torique neuf (pièce n° 61) dans la rainure à l'intérieur de la bague.

REMONTAGE

(14)

Faites glisser l'entretoise (pièce n° 74) sur la longue extrémité de l'arbre et placez-la contre le moyeu d'engrenage. Appliquez de la graisse à l'extrémité de l'arbre, à l'opposé de l'engrenage. Appliquez de la graisse sur la bague de la boîte d'engrenages (pièce n° 20). Placez l'extrémité graissée de l'arbre dans la bague de la boîte d'engrenages (pièce n° 20). Placez le joint statique (pièce n° 58) sur le couvercle de la boîte d'engrenages (pièce n° 12). Appliquez de la graisse sur l'extrémité engrenages de l'arbre et sur la bague. Placez le couvercle sur l'arbre et fixez-le à la boîte au moyen des huit vis d'assemblage (pièce n° 40). Serrez chaque vis d'assemblage à un couple de 52 Nm.

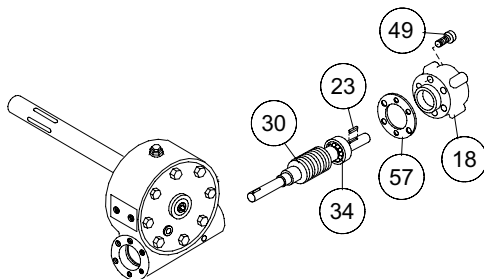


(15)

Placez le roulement (pièce n° 34) sur la vis sans fin (pièce n° 30).

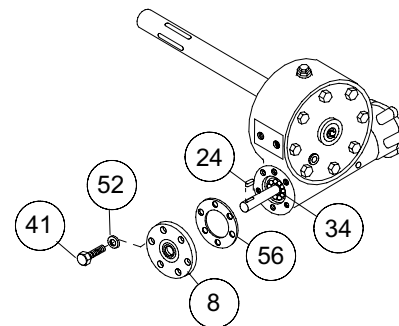
REMARQUE : assurez-vous que l'épaule épais du chemin de roulement du palier (côté avec le nom du fabricant et le numéro de référence) n'est pas vers les filets de la vis sans fin. Appuyez sur le palier et sur la vis sans fin pour les placer dans la boîte d'engrenages. Faites glisser le joint statique (pièce n° 56) sur le carter de frein (pièce n° 18). Utilisez six vis d'assemblage (pièce n° 49) pour fixer le carter de frein sur la boîte d'engrenages. Serrez chaque vis d'assemblage selon un couple de 61 Nm.

Placez la clavette (pièce n° 23) dans la rainure de la vis sans fin (pièce n° 30). Reportez-vous à la page 33 pour les instructions de remontage et de vérification du frein à vis sans fin.



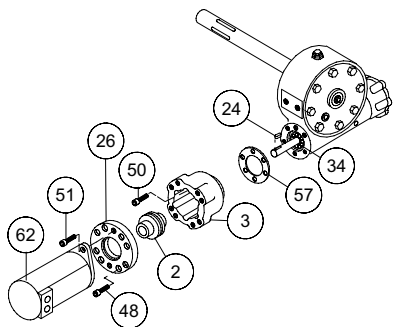
(16)

Pressez le palier (pièce n° 34) sur la vis sans fin et dans la boîte. REMARQUE : assurez-vous que l'épaulement épais du chemin de roulement du palier (côté avec le nom du fabricant et le numéro de référence) n'est pas vers les filets de la vis sans fin. Fixez le chapeau de palier (pièce n° 8) à la boîte d'engrenages au moyen de six vis d'assemblage (pièce n° 41) avec rondelles de sécurité (pièce n° 52). Serrez chaque vis à un couple de 52 Nm. Insérez la clavette (pièce n° 24) dans la rainure de la tige à vis sans fin.



(17)

Pressez le palier (pièce n° 34) sur la vis sans fin et dans la boîte. REMARQUE : assurez-vous que l'épaulement épais du chemin de roulement du palier (côté avec le nom du fabricant et le numéro de référence) n'est pas vers les filets de la vis sans fin. Utilisez les six vis d'assemblage (pièce n° 50) pour fixer l'adaptateur (pièce n° 3) à la boîte d'engrenages. Serrez chaque vis à un couple de 61 Nm. Insérez la clavette (pièce n° 24) dans la rainure de la tige à vis sans fin. Faites glisser le raccordement (pièce n° 2) sur l'extrémité de la tige à vis sans fin. Utilisez les huit vis d'assemblage (pièce n° 48) pour fixer la plaque de l'adaptateur (pièce n° 26) sur l'adaptateur. Serrez chaque vis d'assemblage à un couple de 28 Nm.

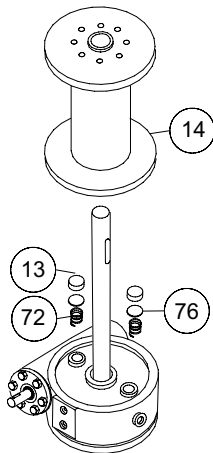
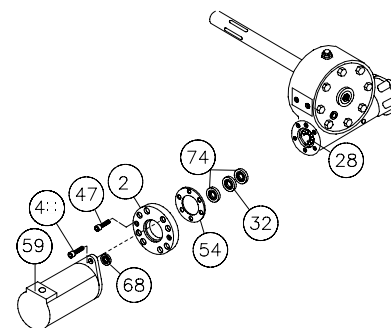


Placez l'arbre du moteur, avec la clavette dans sa rainure, dans le raccordement. Fixez le moteur (pièce n° 62) sur l'adaptateur au moyen de deux vis d'assemblage (pièce n° 51). Serrez chaque vis à un couple de 138 Nm.

(17a)

Placez les rondelles de butée (pièce n° 74) et le palier de butée (pièce n° 32) sur l'extrémité de la vis sans fin (pièce n° 28) et dans la boîte. Fixez l'adaptateur (pièce n° 2) avec le joint statique (pièce n° 54) à la boîte au moyen de six vis d'assemblage (pièce n° 47). Serrez chaque vis à un couple de 61 Nm.

Insérez le joint pilote (pièce n° 68) dans l'adaptateur et installez avec précaution l'arbre du moteur, avec la clavette dans sa rainure, à travers le joint, en prenant garde à ne pas endommager ce dernier. Insérez l'arbre du moteur dans l'extrémité de la vis sans fin (pièce n° 28). Fixez le moteur (pièce n° 59) sur le raccordement au moyen de deux vis d'assemblage (pièce n° 48) avec rondelles de sécurité (pièce n° 52). Serrez chaque vis à un couple de 138 Nm.



(18)

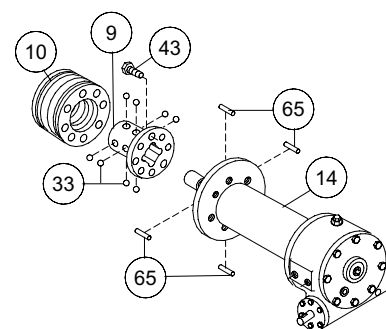
Placez le treuil sur l'établi avec le couvercle de la boîte d'engrenages tourné vers le bas. L'arbre du tambour doit être en position verticale. Placez les ressorts (pièce n° 72) dans les logements correspondants de la boîte d'engrenages avec les sabots d'appui (pièce n° 13) sur le disque (pièce n° 76) et sur les ressorts. Faites glisser le tambour (pièce n° 14) sur son arbre comme indiqué sur le schéma.

(19)

Placez l'embrayage (pièce n° 9) par-dessus l'extrémité de l'arbre du tambour. Alignez l'embrayage par-dessus la bague pilote du tambour. Installez les huit vis d'assemblage (pièce n° 43) et serrez-les à un couple de 139 Nm pour bien fixer l'embrayage sur le tambour.

Faites tourner le tambour pour aligner les fentes de l'embrayage sur les rainures de clavettes de l'arbre. Graissez légèrement quatre chevilles de centrage (pièce n° 65) et huit billes (pièce n° 33). Utilisez de la graisse au bisulfure de molybdène ou graphitée pour roulements. Insérez les quatre chevilles de centrage (pièce n° 65) et les huit billes (pièce n° 33). En position enclenchée, les billes sont presque de niveau avec l'embrayage. Graissez légèrement l'alésage et les rainures externe et interne de la bague de blocage (pièce n° 10) et de l'embrayage (pièce n° 9).

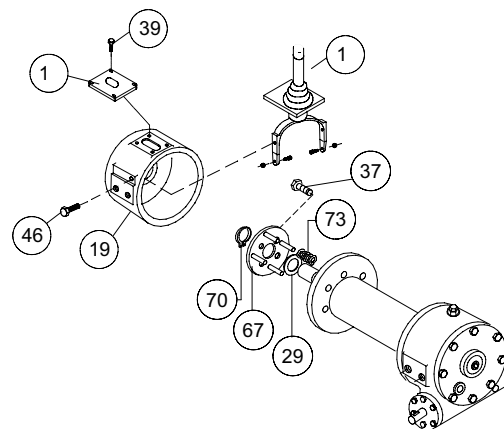
Faites glisser la bague de blocage sur l'embrayage. Lorsqu'elle est entièrement engagée, la bague de blocage touche la collerette de l'embrayage, et 18 à 18,5 mm se trouvent entre l'extrémité de la bague et celle de l'embrayage.



(20)

Placez quatre ressorts (pièce n° 73) sur les quatre goupilles cylindriques de la plaque de retenue (pièce n° 67). Installez l'entretoise (pièce n° 29) et la plaque de retenue, et fixez l'embrayage au moyen des quatre vis d'assemblage (pièce n° 37). Serrez les vis à un couple de 13 Nm chacune. Mettez la bague de retenue (pièce n° 70) bien en place dans la rainure de l'arbre du tambour.

Placez l'embrayeur de manière à ce que les têtes de vis s'engagent dans la rainure externe de la bague de blocage (pièce n° 10). Poussez le carter d'embrayage (pièce n° 19) sur l'arbre du tambour et bloquez l'embrayeur en position rentrée enclenchée. Insérez les deux vis d'assemblage (pièce n° 46).



(21)

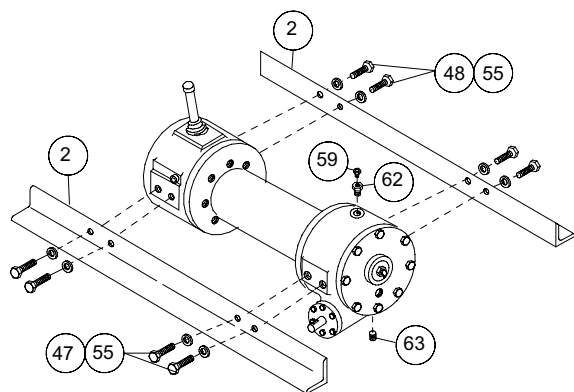
Fixez les cornières de montage (pièce n° 2) sur le treuil. Utilisez les vis d'assemblage (pièces n° 47 et 48) et les rondelles de sécurité (pièce n° 55). Serrez les vis à un couple de 393 Nm chacune. Insérez le bouchon (pièce n° 63) dans le trou au bas de la boîte d'engrenages. Retirez les bouchons (pièces n° 59 et 62) du haut de la boîte. Versez 1,7 l d'huile E.P. 140 dans le trou et remettez les bouchons en place.

Vérifiez le fonctionnement de l'embrayage en enclenchant le tambour et en le laissant tourner librement plusieurs fois.

La plaque de changement de vitesse située sur le dessus du carter d'embrayage est réglée en usine de manière à garantir un fonctionnement fiable du Dow-Lok®. Si cette plaque se desserre ou est retirée, elle doit être réajustée.

Désenclenchez l'embrayage au moyen de la poignée et maintenez-la contre la butée interne. Tandis que la goupille de blocage se trouve dans les fentes de sortie,

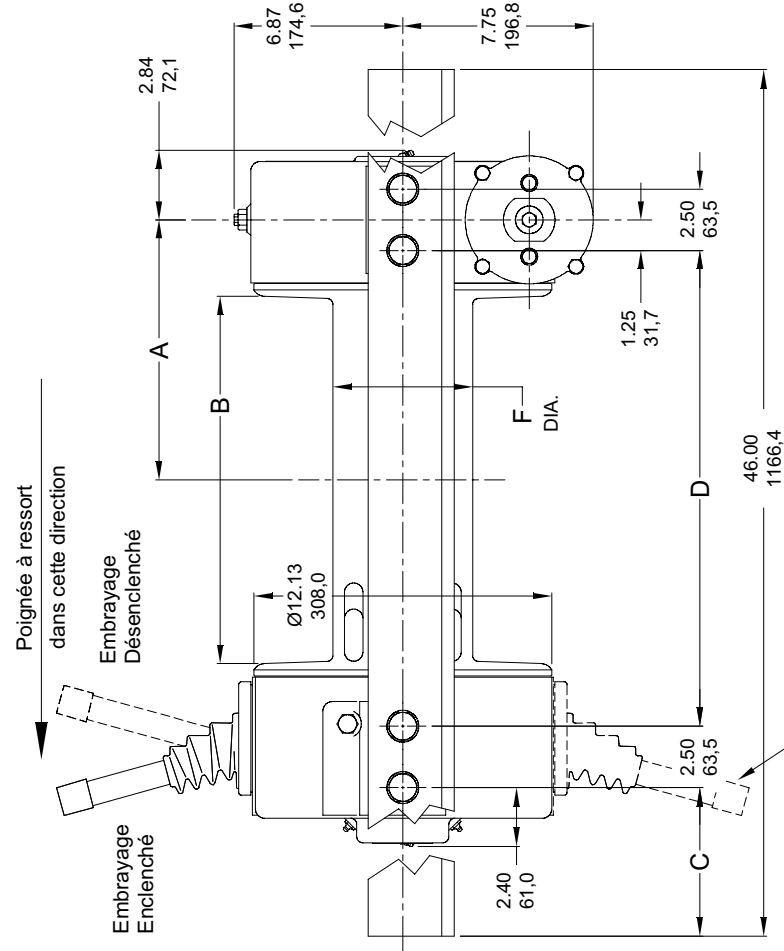
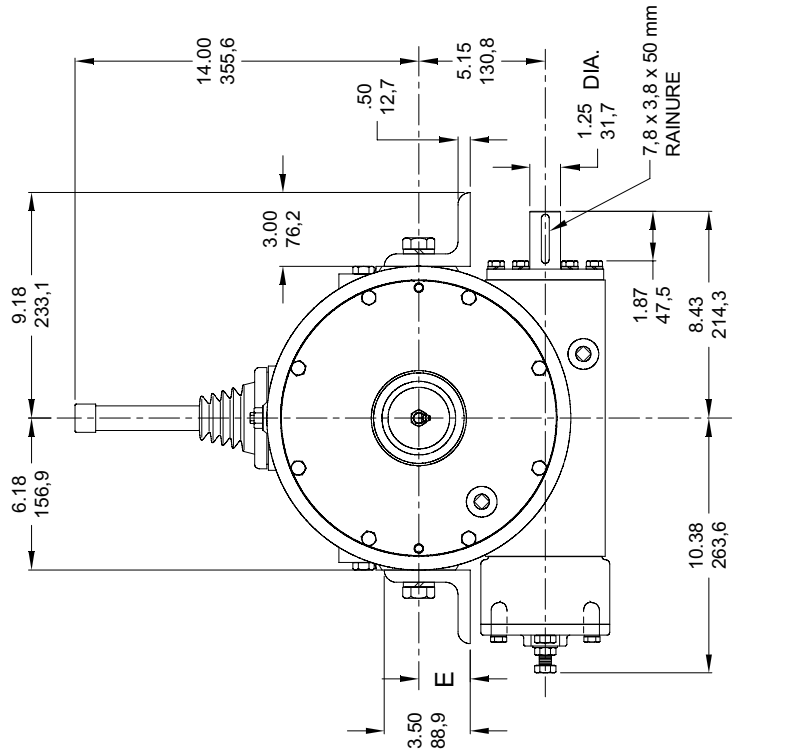
poussez la plaque vers le tambour. Dégagez le couvercle du levier en plastique de la plaque. Serrez les quatre vis d'assemblage qui maintiennent la plaque sur le carter. Réenclenchez le couvercle en place autour de la plaque.



MODÈLE 800 DOW-LOK®

800 / Y-800

Modèle de La Treuil	A POUCES MM	B POUCES MM	C POUCES MM	D POUCES MM	E POUCES MM	F POUCES MM
800	10.62 269,7	15.00 381,0	10.75 273,0	19.38 492,2	2.09 53,0	5.69 144,5
Y-800	7.75 196,8	9.44 239,8	13.68 347,4	13.63 346,2	2.00 50,8	5.50 139,7

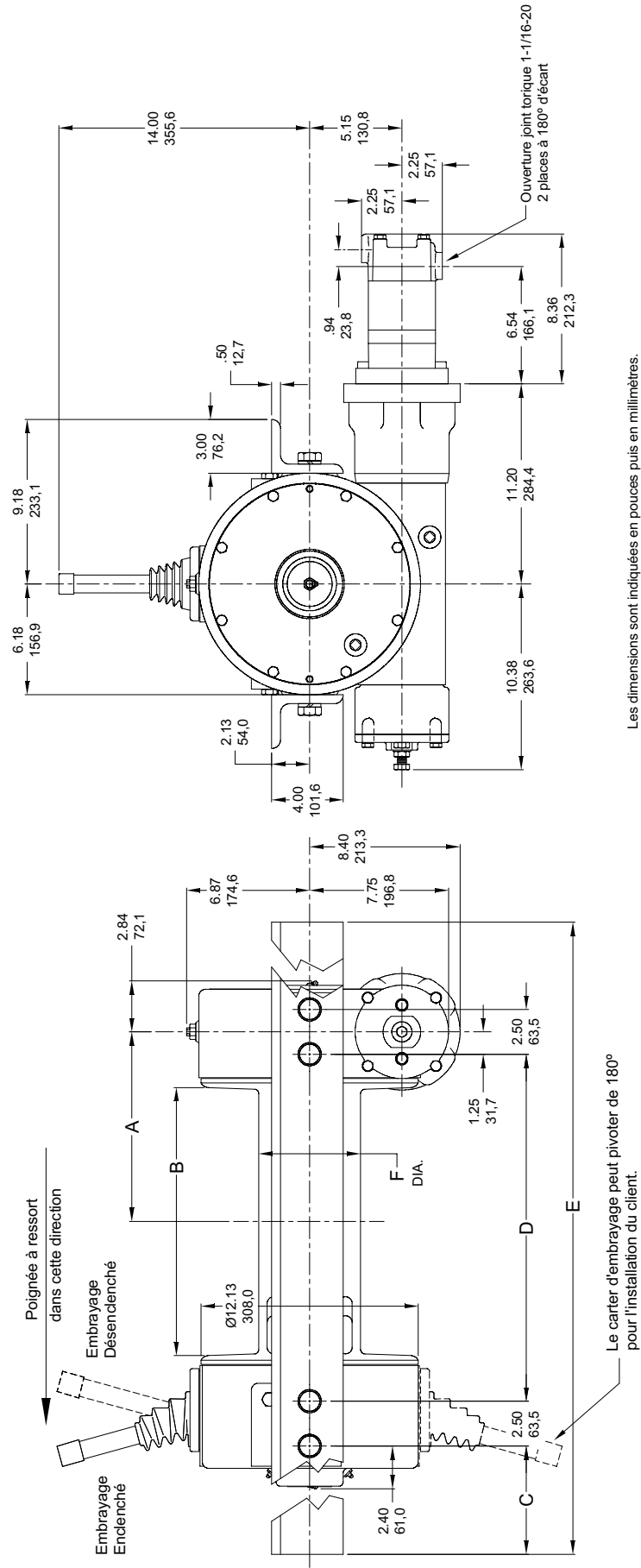


Les dimensions sont indiquées en pouces puis en millimètres.

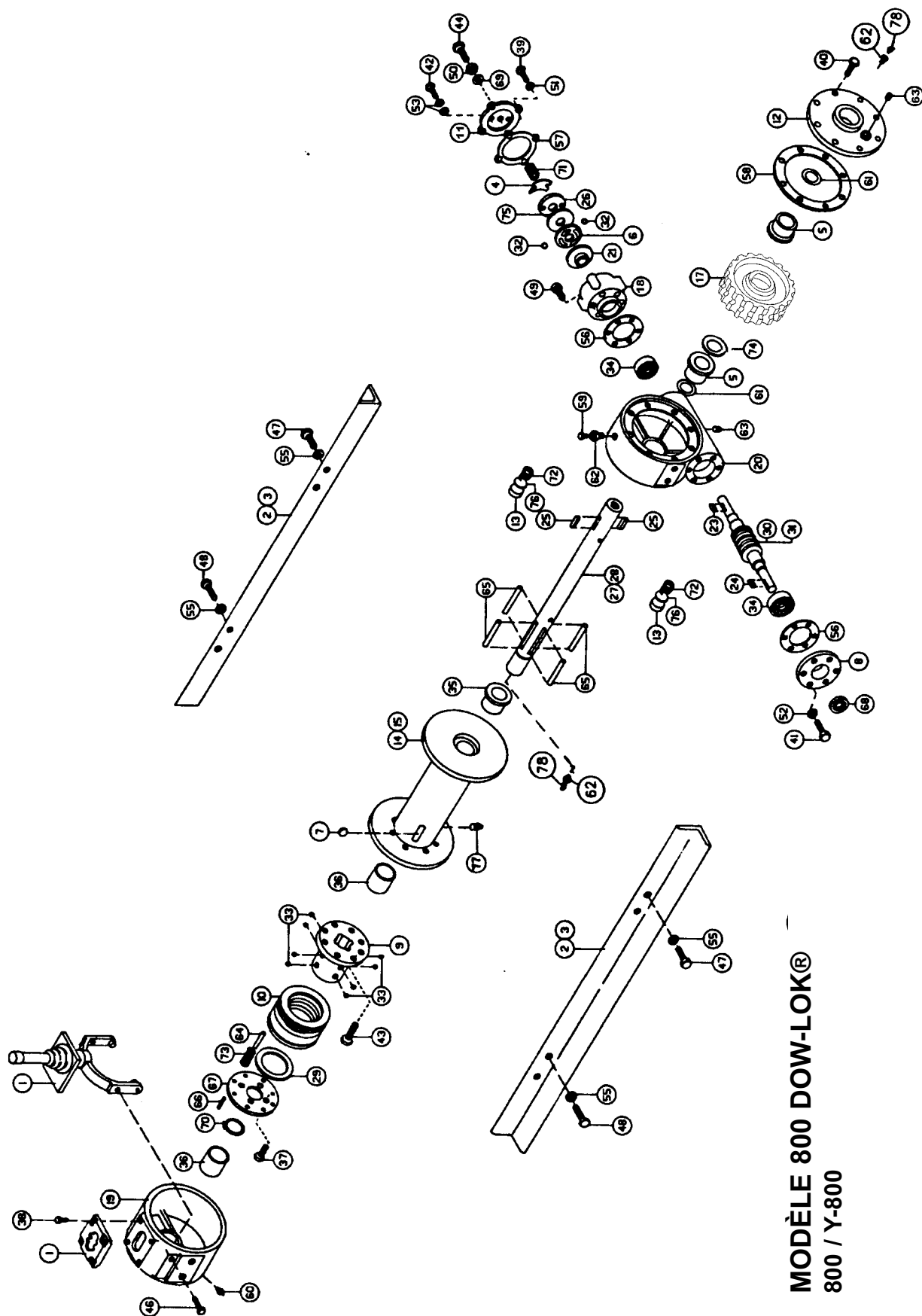
Le carter d'embrayage peut pivoter de 180° pour l'installation du client.

MODÈLE H-800 DOW-LOK® H-800 / HY-800

Modèle de La Treuil	A POUCES MM	B POUCES MM	C POUCES MM	D POUCES MM	E POUCES MM	F POUCES MM
H-800	10.62 269,7	15.00 381,0	13.81 350,7	19.38 492,2	52.00 1320,8	5.69 144,5
HY-800	7.75 196,8	9.44 239,8	13.68 347,4	13.63 346,2	46.00 1168,4	5.50 139,7



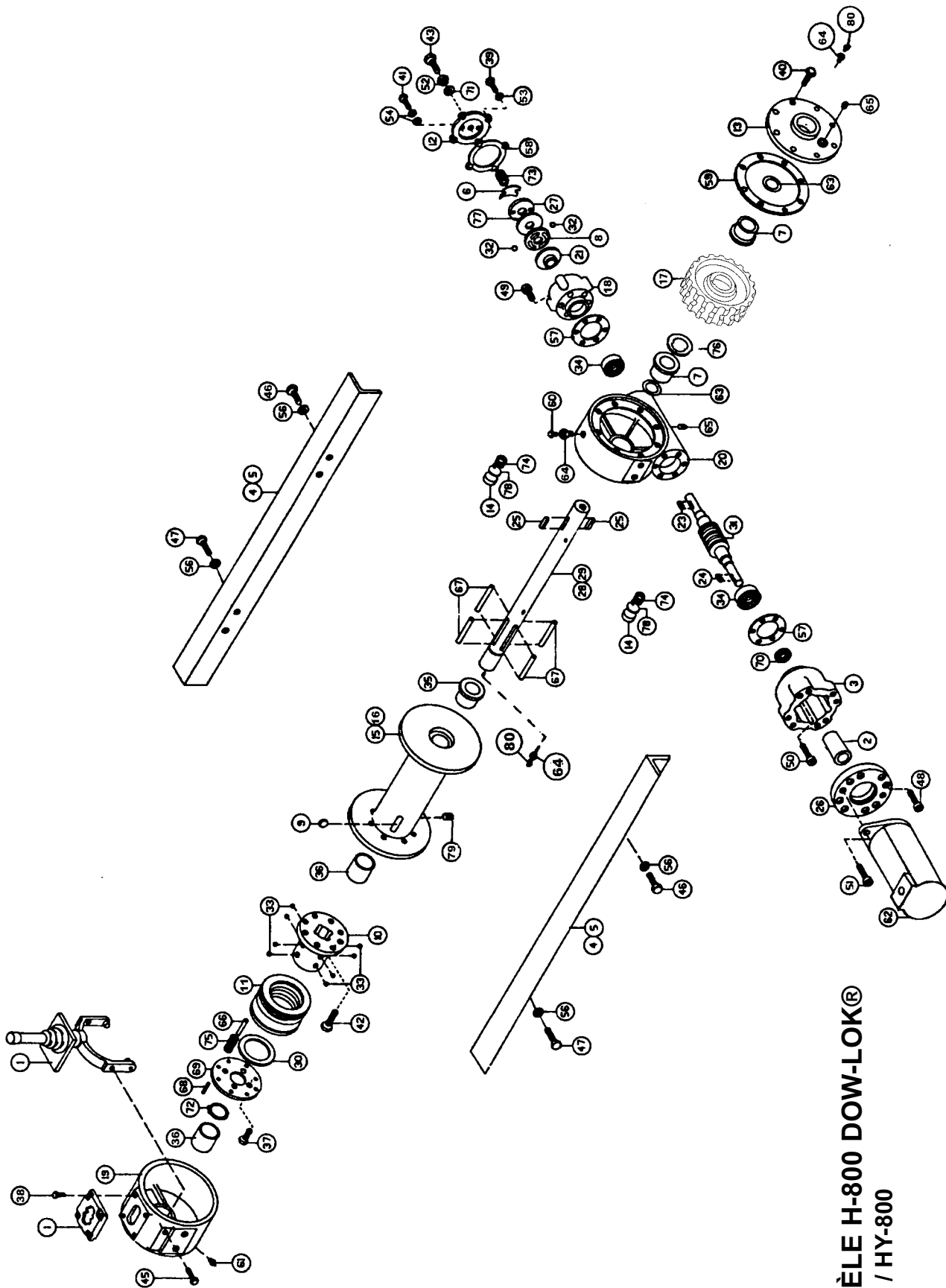
Les dimensions sont indiquées en pouces puis en millimètres.



MODÈLE 800 DOW-LOK®
800 / Y-800

LISTE DES PIÈCES MODÈLE 800 DOW-LOK®

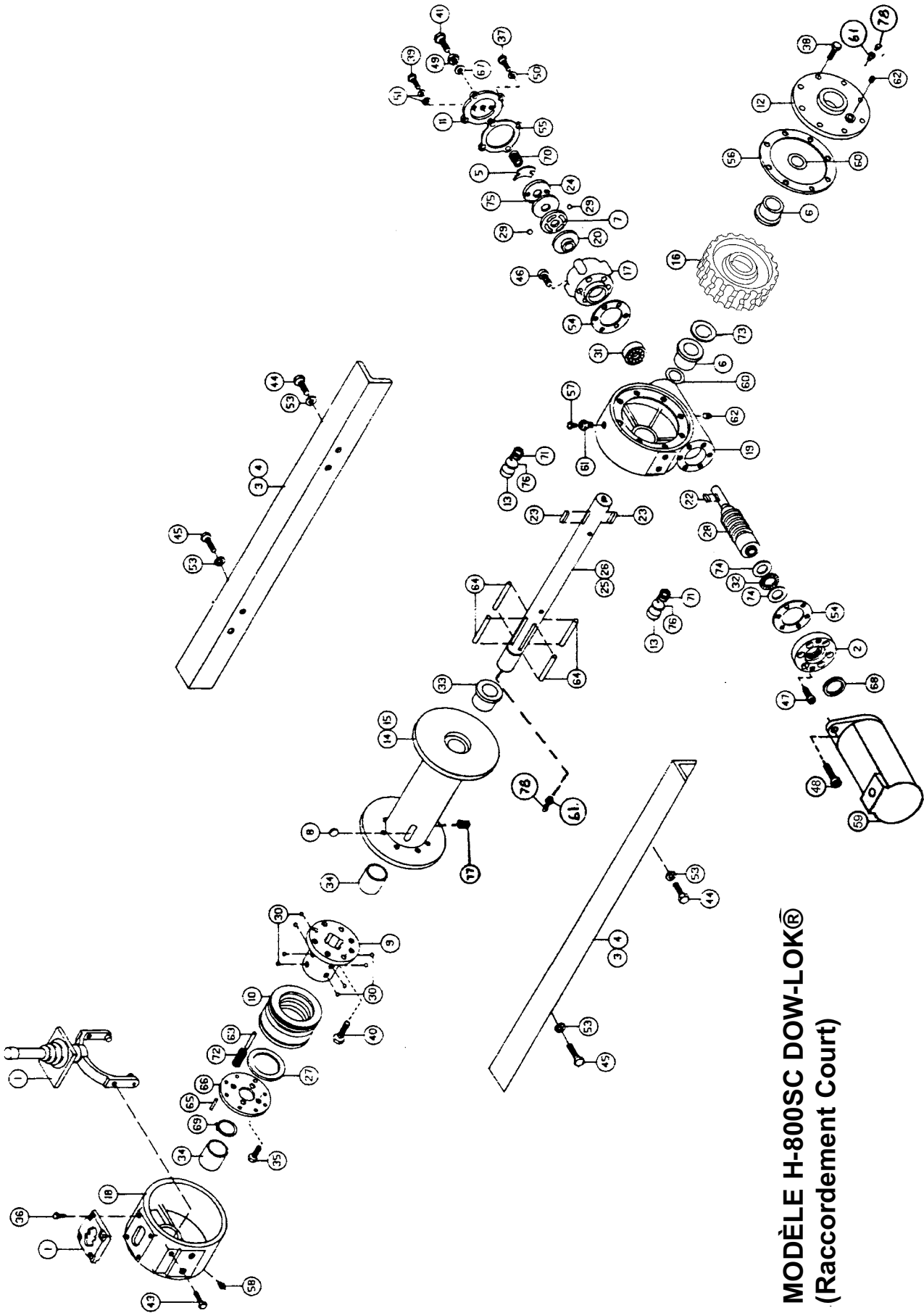
N° pièce	Qté	N° réf.	DESCRIPTION
1	1	276033	EMBRAYEUR
2	2	302093	CORNIÈRE - (« Y »)
3	2	302111	CORNIÈRE - STD
4	1	306035	RESSORT - PLAT
5	2	308083	BAGUE
6	1	314007	DISQUE À CAME
7	1	314010	ANCRAGE DE CÂBLE (TAMBOUR « STD » UNIQUEMENT)
8	1	316006	CHAPEAU DE PALIER
9	1	324151	EMBRAYAGE
10	1	324318	BAGUE DE BLOCAGE
11	1	328027	COUVERCLE - FREIN
12	1	328122	COUVERCLE - BOÎTE D'ENGRENAGES
13	2	330010	SABOT D'APPUI
14	1	332167	TAMBOUR (STANDARD)
15	1	332172	TAMBOUR (« Y »)
16	1	334189	ENGRENAGE - Gauche
17	1	334188	ENGRENAGE - Droit
18	1	338221	CARTER - FREIN
19	1	338235	CARTER - EMBRAYAGE
20	1	338242	BOÎTE - ENGRENAGES
21	1	340011	MOYEU - FREIN
23	1	342053	CLAVETTE
24	1	342092	CLAVETTE
25	2	342153	CLAVETTE
26	1	352021	PLAQUE DE RETENUE
27	1	357498	ARBRE - TAMBOUR (STD)
28	1	357502	ARBRE - TAMBOUR (« Y »)
29	1	362224	ENTRETOISE
30	1	368082	VIS SANS FIN - Droite
31	1	368084	VIS SANS FIN - Gauche
32	2	400007	BILLE - FREIN
33	8	400011	BILLE - EMBRAYAGE
34	2	402045	ROULEMENT - BILLE
35	1	412051	BAGUE
36	2	412052	BAGUE
37	4	414038	VIS D'ASSEMBLAGE 1/4-20 NC x 3/4 po (long) tête hex. Gr. 5
38	4	414069	VIS D'ASSEMBLAGE 5/16-18 NC x 3/4 po (long) tête hex. Gr. 5
39	4	414111	VIS D'ASSEMBLAGE 5/15-18 NC x 1 po (long) tête hex. Gr. 5
40	8	414277	VIS D'ASSEMBLAGE 3/8-16 NC x 1 po (long) tête hex. Gr. 5, NYLOK™
41	6	414282	VIS D'ASSEMBLAGE 3/8-16 NC x 1,25 po (long) tête hex. Gr. 5
42	2	414399	VIS D'ASSEMBLAGE 3/8-24 NF x 1,25 po (long) tout filet, Gr. 5
43	8	414571	VIS D'ASSEMBLAGE 1/2-20 NF x 1 po (long) tête hex. Gr. 5
44	1	414603	VIS D'ASSEMBLAGE 1/2-20 NF x 1,75 po (long) tout filet, Gr. 5
46	2	414619	VIS D'ASSEMBLAGE 1/2-13 NC x 2,5 po (long) tête hex, tout filet, zinc
47	4	414751	VIS D'ASSEMBLAGE 3/4-10 NC x 1,75 po (long) Gr. 5, NYLOK™
48	4	414777	VIS D'ASSEMBLAGE 3/4-10 NC x 1,75 po (long) Gr. 5
49	6	414897	VIS D'ASSEMBLAGE 3/8-16 NC x 1 po (long) tête creuse
50	1	418067	CONTRE-ÉCROU HEX 1/2-20 NF
51	4	418163	RONDELLE DE SÉCURITÉ 5/16 SECT. MOY. zinc
52	6	418177	RONDELLE DE SÉCURITÉ 3/8 SECT. MOY. zinc
53	4	418184	RONDELLE - PLÂTE 3/8 aluminium
55	8	418249	RONDELLE DE SÉCURITÉ 3/4 SECT. MOY.
56	2	442192	JOINT STATIQUE
57	1	442194	JOINT STATIQUE
58	1	442195	JOINT STATIQUE
59	1	456008	RACCORD DE DÉGAGEMENT
60	1	456031	RACCORD DE GRAISSAGE
61	2	462013	JOINT QUAD-RING
62	3	468002	RÉDUCTEUR
63	2	468011	BOUCHON CYLINDRIQUE
64	4	470042	GOUPILLE CYLINDRIQUE
65	4	470044	CHEVILLE DE CENTRAGE
66	4	470056	GOUPILLE CYLINDRIQUE
67	1	474030	PLAQUE DE RETENUE
68	1	486068	JOINT À HUILE
69	1	486076	JOINT FILETÉ
70	1	490025	BAGUE DE RETENUE
71	1	494010	RESSORT
72	2	494022	RESSORT - DISQUE
73	4	494069	RESSORT
74	1	518016	RONDELLE DE BUTÉE
75	1	530007	DISQUE - FREIN
76	2	530094	SPACER - BRAKE
77	1	416059	VIS DE PRESSION (TAMBOUR « Y » UNIQUEMENT)
78	2	456039	RACCORD DE GRAISSAGE



MODÈLE H-800 DOW-LOK®
H-800 / HY-800

LISTE DES PIÈCES MODÈLE H-800 DOW-LOK®

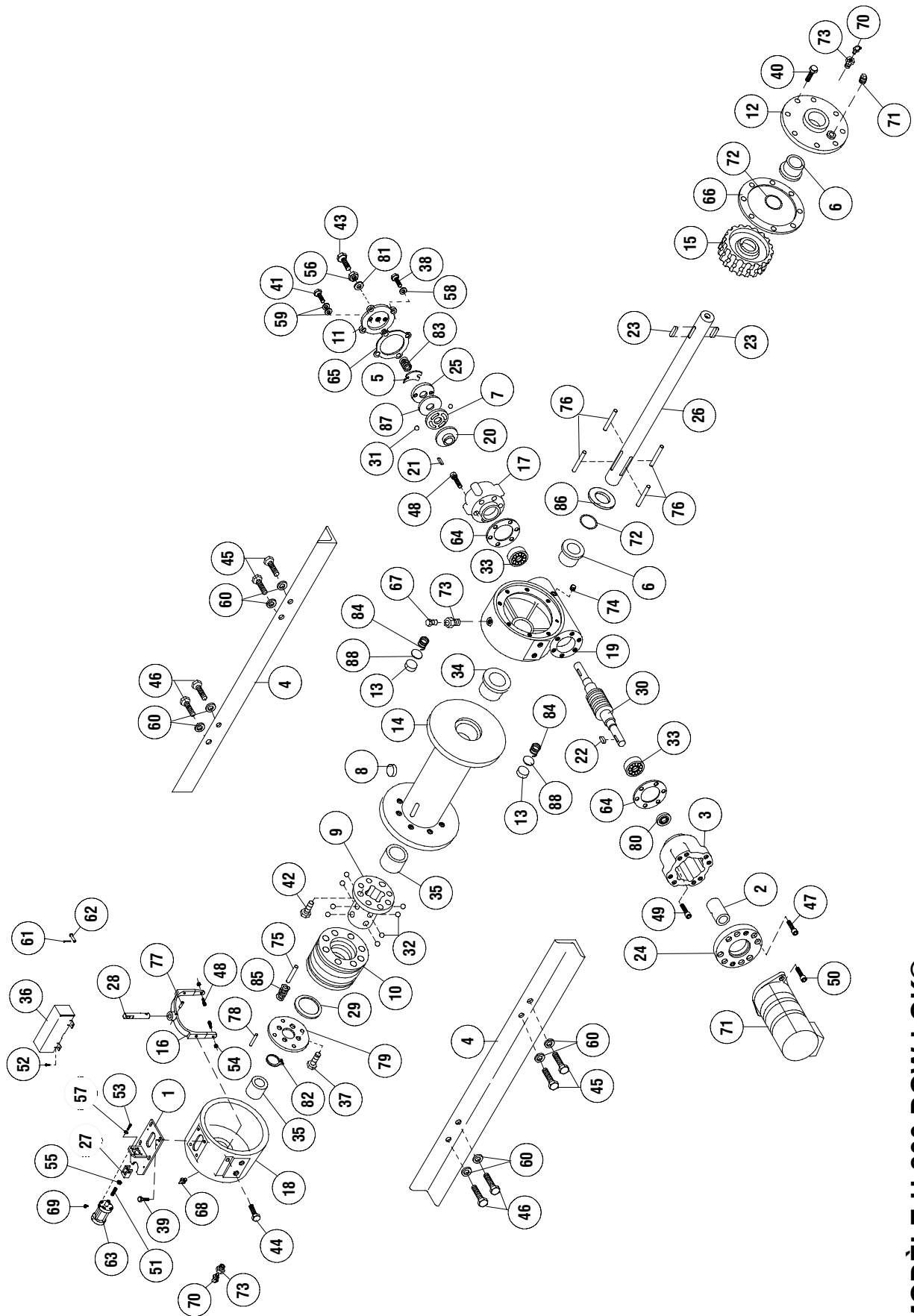
N° pièce	Qté	N° réf.	DESCRIPTION
1	1	276033	EMBRAYEUR
2	1	299733	RACCORDEMENT
3	1	300048	ADAPTATEUR
4	2	302093	CORNIÈRE - (« Y »)
5	2	302111	CORNIÈRE - (STD)
6	1	306035	RESSORT - PLAT
7	2	308083	BAGUE
8	1	314007	DISQUE À CAME
9	1	314010	ANCRAGE DE CÂBLE (TAMBOUR « STD » UNIQUEMENT)
10	1	324151	EMBRAYAGE
11	1	324318	BAGUE DE BLOCAGE
12	1	328027	COUVERCLE - FREIN
13	1	328122	COUVERCLE - BOÎTE D'ENGRENAGES
14	2	330010	SABOT D'APPUI
15	1	332167	TAMBOUR (STANDARD)
16	1	332172	TAMBOUR (« Y »)
17	1	334188	ENGRENAGE
18	1	338221	CARTER - FREIN
19	1	338235	CARTER - EMBRAYAGE
20	1	338242	BOÎTE - ENGRENAGES
21	1	340011	MOYEU - FREIN
23	1	342053	CLAVETTE
24	1	342092	CLAVETTE
25	2	342153	CLAVETTE
26	1	350535	PLAQUE - ADAPTATEUR HYDRAULIQUE
27	1	352021	PLAQUE DE RETENUE
28	1	357498	ARBRE - TAMBOUR (STD)
29	1	357502	ARBRE - TAMBOUR (« Y »)
30	1	362224	ENTRETOISE
31	1	368082	VIS SANS FIN DROITE
32	2	400007	BILLE - FREIN
33	8	400011	BILLE - EMBRAYAGE
34	2	402045	ROULEMENT - BILLE
35	1	412051	BAGUE
36	2	412052	BAGUE
37	4	414038	VIS D'ASSEMBLAGE 1/4-20 NC x 3/4 po (long) tête hex. Gr. 5
38	4	414069	VIS D'ASSEMBLAGE 5/16-18 NC x 3/4 po (long) tête hex.
39	4	414111	VIS D'ASSEMBLAGE 5/16-18 NC x 1 po (long) tête hex. Gr. 5
40	8	414277	VIS D'ASSEMBLAGE 3/8-16 NC x 1 po (long) tête hex. Gr. 5, NYLOK™
41	2	414399	VIS D'ASSEMBLAGE 3/8-24 NF x 1,25 po (long) tout filet, Gr. 5
42	8	414571	VIS D'ASSEMBLAGE 1/2-20 NF x 1 po (long) tête hex. Gr. 5
43	1	414603	VIS D'ASSEMBLAGE 1/2-20 NF x 1,75 po (long) tout filet, Gr. 5
45	2	414619	VIS D'ASSEMBLAGE 1/2-13 NC x 2,5 po (long) tête hex, tout filet, zinc
46	4	414751	VIS D'ASSEMBLAGE 3/4-10 NC x 1,75 po (long) Gr. 5, NYLOK™
47	4	414777	VIS D'ASSEMBLAGE 3/4-10 NC x 1,75 po (long) Gr. 5
48	8	414871	VIS D'ASSEMBLAGE 5/16-18 NC x 1,25 po (long) tête creuse, LOK-WEL™
49	6	414897	VIS D'ASSEMBLAGE 3/8-16 NC x 1 po (long) tête creuse
50	6	414909	VIS D'ASSEMBLAGE 3/8-16 NC x 1,75 po (long) tête creuse, LOK-WEL™
51	2	414950	VIS D'ASSEMBLAGE 1/2-13 NC x 1,75 po (long) tête creuse, LOK-WEL™
52	1	418067	CONTRE-ÉCROU HEX 1/2-20 NF
53	4	418163	RONDELLE DE SÉCURITÉ 5/16 SECT. MOY. zinc
54	4	418184	RONDELLE - PLÂTE 3/8 aluminium
56	8	418249	RONDELLE DE SÉCURITÉ 3/4 SECT. MOY.
57	2	442192	JOINT STATIQUE
58	1	442194	JOINT STATIQUE
59	1	442195	JOINT STATIQUE
60	1	456008	RACCORD DE DÉGAGEMENT
61	1	456031	RACCORD DE GRAISSAGE
62	1	458048	MOTEUR HYD.
63	2	462013	JOINT QUAD-RING
64	3	468002	RÉDUCTEUR
65	2	468011	BOUCHON CYLINDRIQUE
66	4	470042	GOUPILLE CYLINDRIQUE
67	4	470044	CHEVILLE DE CENTRAGE
68	4	470056	GOUPILLE CYLINDRIQUE
69	1	474030	PLAQUE DE RETENUE
70	1	486068	JOINT À HUILE
71	1	486076	JOINT FILETÉ
72	1	490025	BAGUE DE RETENUE
73	1	494010	RESSORT
74	2	494022	RESSORT - DISQUE
75	4	494069	RESSORT
76	1	518016	THRUST WASHER
77	1	530007	DISQUE - FREIN
78	2	530094	ENTRETOISE - FREIN
79	1	416059	VIS DE PRESSION (TAMBOUR « Y » UNIQUEMENT)
80	2	456039	RACCORD DE GRAISSAGE



MODÈLE H-800SC DOW-LOK®
(Raccordement Court)

LISTE DES PIÈCES MODÈLE H-800SC DOW-LOK® (raccordement court)

N° pièce	Qté	N° réf.	DESCRIPTION
1	1	276033	EMBRAYEUR
2	1	300048	ADAPTATEUR
3	2	302093	CORNIÈRE - (« Y »)
4	2	302111	CORNIÈRE - (STD)
5	1	306035	SRESSORT - PLAT
6	2	308083	BAGUE
7	1	314007	DISQUE À CAME
8	1	314010	ANCRAGE DE CÂBLE (TAMBOUR STD UNIQUEMENT)
9	1	324151	EMBRAYAGE
10	1	324318	BAGUE DE BLOCAGE
11	1	328027	COUVERCLE - FREIN
12	1	328122	COUVERCLE - BOÎTE D'ENGRENAGES
13	2	330010	SABOT D'APPUI
14	1	332167	TAMBOUR (STD)
15	1	332172	TAMBOUR (« Y »)
16	1	334188	ENGRENAGE - Droit
17	1	338221	CARTER - FREIN
18	1	338235	CARTER - EMBRAYAGE
19	1	338242	BOÎTE - ENGRENAGES
20	1	340011	MOYEU - FREIN
22	1	342053	CLAVETTE
23	2	342153	CLAVETTE
24	1	352021	PLAQUE DE RETENUE
25	1	357498	ARBRE - TAMBOUR (STD)
26	1	357502	ARBRE - TAMBOUR (« Y »)
27	1	362224	ENTRETOISE
28	1	368196	VIS SANS FIN DROITE
29	2	400007	BILLE - FREIN
30	8	400011	BILLE - EMBRAYAGE
31	2	402045	ROULEMENT - BILLE
32	1	402109	PALIER DE BUTÉE
33	1	412051	BAGUE
34	2	412052	BAGUE
35	4	414038	VIS D'ASSEMBLAGE 1/4-20 NC x 3/4 po (long) tête hex. Gr. 5
36	4	414069	VIS D'ASSEMBLAGE 5/16-18 NC x 3/4 po (long) tête hex.
37	4	414111	VIS D'ASSEMBLAGE 5/16-18 NC x 1 po (long) tête hex. Gr. 5
38	8	414277	VIS D'ASSEMBLAGE 3/8-16 NC x 1 po (long) tête hex. Gr. 5, NYLOK™
39	2	414399	VIS D'ASSEMBLAGE 3/8-24 NF x 1,25 po (long) tout filet, Gr. 5
40	8	414571	VIS D'ASSEMBLAGE 1/2-20 NF x 1 po (long) tête hex. Gr. 5
41	1	414603	VIS D'ASSEMBLAGE 1/2-20 NF x 1,75 po (long) tout filet, Gr. 5
43	2	414619	VIS D'ASSEMBLAGE 1/2-13 NC x 2,5 po (long) tête hex, tout filet, zinc
44	4	414751	VIS D'ASSEMBLAGE 3/4-10 NC x 1,75 po, Gr. 5, NYLOK™
45	4	414777	VIS D'ASSEMBLAGE 3/4-10 NC x 1,75 po, Gr. 5
46	6	414897	VIS D'ASSEMBLAGE 3/8-16 NC x 1 po (long) tête creuse
47	6	414913	VIS D'ASSEMBLAGE 3/8-16 NC x 1,25 po (long) tête creuse, LOK-WEL™
48	2	414952	VIS D'ASSEMBLAGE 1/2-13 NC x 1,5 po (long) tête creuse, LOK-WEL™
49	1	418067	CONTRE-ÉCROU HEX 1/2-20 NF
50	4	418163	RONDELLE DE SÉCURITÉ 5/16 SECT. MOY. zinc
51	4	418184	RONDELLE - PLÂTE 3/8 aluminium
53	8	418249	RONDELLE DE SÉCURITÉ 3/4 SECT. MOY.
54	2	442192	JOINT STATIQUE
55	1	442194	JOINT STATIQUE
56	1	442195	JOINT STATIQUE
57	1	456008	RACCORD DE DÉGAGEMENT
58	1	456031	RACCORD DE GRAISSAGE
59	1	458048	MOTEUR HYD.
60	2	462013	JOINT QUAD-RING
61	3	468002	RÉDUCTEUR
62	2	468011	BOUCHON CYLINDRIQUE
63	4	470042	GOUPILLE CYLINDRIQUE
64	4	470044	CHEVILLE DE CENTRAGE
65	4	470056	GOUPILLE CYLINDRIQUE
66	1	474030	PLAQUE DE RETENUE
67	1	486076	JOINT FILETÉ
68	1	486079	JOINT PILOTE
69	1	490025	BAGUE DE RETENUE
70	1	494010	RESSORT
71	2	494022	RESSORT - DISQUE
72	4	494069	RESSORT
73	1	518016	RONDELLE DE BUTÉE
74	2	518036	RONDELLE DE BUTÉE
75	1	530007	DISQUE - FREIN
76	2	530094	ENTRETOISE - FREIN
77	1	416059	VIS DE PRESSION (TAMBOUR « Y » UNIQUEMENT)
78	2	456039	RACCORD DE GRAISSAGE



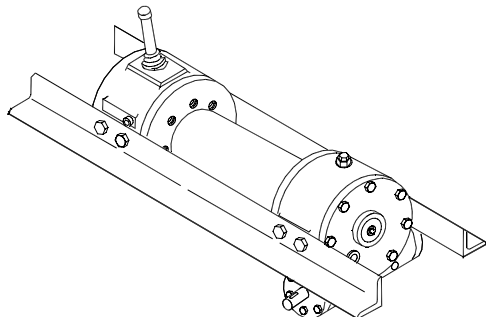
**MODÈLE H-800 DOW-LOK®
AVEC EMBRAYEUR PNEUMATIQUE**

LISTE DES PIÈCES MODÈLE H-800 DOW-LOK® AVEC EMBRAYEUR PNEUMATIQUE

N° pièce	Qté	N° réf.	DESCRIPTION
1	1	299695	SUPPORT D'EMBRAYEUR PNEUMATIQUE
2	1	299733	RACCORDEMENT
3	1	300048	ADAPTATEUR
4	2	302093	CORNIÈRE - (« Y »)
	2	302111	CORNIÈRE - (STD)
5	1	306035	RESSORT - PLAT
6	2	308083	BAGUE
7	1	314007	DISQUE À CAME
8	1	314010	ANCRAGE DE CÂBLE (TAMBOUR « STD » UNIQUEMENT)
	1	416059	VIS DE PRESSION (TAMBOUR « Y » UNIQUEMENT)
9	1	324151	EMBRAYAGE
10	1	324318	BAGUE DE BLOCAGE
11	1	328027	COUVERCLE - FREIN
12	1	328122	COUVERCLE - BOÎTE D'ENGRENAGES
13	2	330010	SABOT D'APPUI
14	1	332167	TAMBOUR (STD)
	1	332172	TAMBOUR (« Y »)
15	1	334188	ENGRENAGE - Droit
16	1	370047	FOURCHETTE
17	1	338221	CARTER - FREIN
18	1	338235	CARTER - EMBRAYAGE
19	1	338242	BOÎTE - ENGRENAGES
20	1	340011	MOYEU - FREIN
21	1	342053	CLAVETTE
22	1	342092	CLAVETTE
23	2	342153	CLAVETTE
24	1	350535	PLAQUE - ADAPTATEUR HYDRAULIQUE
25	1	352021	PLAQUE DE RETENUE
26	1	357498	ARBRE - TAMBOUR (STD)
	1	357502	ARBRE - TAMBOUR (« Y »)
27	1	358067	CHAPE
28	1	358069	ARBRE D'EMBRAYEUR
29	1	362224	ENTRETOISE
30	1	368082	VIS SANS FIN DROITE
31	2	400007	BILLE - FREIN
32	8	400011	BILLE - EMBRAYAGE
33	2	402045	ROULEMENT - BILLE
34	1	412051	BAGUE
35	2	412052	BAGUE
36	1	413074	COUVERCLE - EMBRAYEUR PNEUMATIQUE
37	4	414038	VIS D'ASSEMBLAGE 1/4-20 NC x 3/4 po (long) tête hex. Gr. 5
38	4	414111	VIS D'ASSEMBLAGE 5/16-18 NC x 1 po (long) tête hex. Gr. 5
39	4	414126	VIS D'ASSEMBLAGE 5/16-18 NC x 3/4 po (long) tête hex.
40	8	414277	VIS D'ASSEMBLAGE 3/8-16 NC x 1 po (long) tête hex. Gr. 5, NYLOK™
41	2	414399	VIS D'ASSEMBLAGE 3/8-24 NF x 1,25 po (long) tout filet, Gr. 5
42	8	414571	VIS D'ASSEMBLAGE 1/2-20 NF x 1 po (long) tête hex. Gr. 5
43	1	414603	VIS D'ASSEMBLAGE 1/2-20 NF x 1,75 po (long) tout filet, Gr. 5
44	2	414619	VIS D'ASSEMBLAGE 1/2-13 NC x 2,5 po (long) tête hex, tout filet, zinc
45	4	414751	VIS D'ASSEMBLAGE 3/4-10 NC x 1,75 po, Gr. 5, NYLOK™
46	4	414777	VIS D'ASSEMBLAGE 3/4-10 NC x 1,75 po, Gr. 5
47	8	414871	VIS D'ASSEMBLAGE 5/16-18 NC x 1,25 po (long) tête creuse, LOK-WEL™
48	6	414897	VIS D'ASSEMBLAGE 3/8-16 NC x 1 po (long) tête creuse
49	6	414909	VIS D'ASSEMBLAGE 3/8-16 NC x 1,75 po (long) tête creuse, LOK-WEL™
50	2	414950	VIS D'ASSEMBLAGE 1/2-13 NC x 1,75 po (long) tête creuse, LOK-WEL™
51	1	416061	VIS DE PRESSION 3/8-24 NF x 1,25 po (long)
52	4	416214	VIS N° 10-32 NF x 1/4 po (long), tête ronde, zinc
53	4	416262	VIS N° 10-32 NF x 3/4 po (long), tête hex., zinc
54	2	418035	ÉCROU 3/8-16 NC HEX, NORMAL, zinc
55	1	418041	CONTRE-ÉCROU HEX 3/8-24 NF
56	1	418067	CONTRE-ÉCROU HEX 1/2-20 NF
57	4	418141	RONDELLE DE SÉCURITÉ N° 10 SECT. MOY. zinc
58	4	418163	RONDELLE DE SÉCURITÉ 5/16 SECT. MOY. zinc
59	4	418184	RONDELLE - PLATE 3/8 aluminium
60	8	418249	RONDELLE DE SÉCURITÉ 3/4 SECT. MOY.
61	1	424005	GOUPILLE FENDUE
62	1	424029	GOUPILLE DE CHAPE
63	1	433016	CYLINDRE PNEUMATIQUE
64	2	442192	JOINT STATIQUE
65	1	442194	JOINT STATIQUE
66	1	442195	JOINT STATIQUE
67	1	456008	RACCORD DE DÉGAGEMENT
68	1	456031	RACCORD DE GRAISSAGE
69	1	456038	RENIFLARD
70	2	456039	RACCORD DE GRAISSAGE
71	1	458048	MOTEUR HYD.
72	2	462013	JOINT QUAD-RING
73	3	468002	REDUCTEUR
74	2	468011	BOUCHON CYLINDRIQUE
75	4	470042	GOUPILLE CYLINDRIQUE
76	4	470044	CHEVILLE DE CENTRAGE
77	1	470045	GOUPILLE CYLINDRIQUE
78	4	470056	GOUPILLE CYLINDRIQUE
79	1	474030	PLAQUE DE RETENUE
80	1	486068	JOINT À HUILE
81	1	486076	JOINT FILETÉ
82	1	490025	BAGUE DE RETENUE
83	1	494010	RESSORT
84	2	494022	RESSORT - DISQUE
85	4	494069	RESSORT
86	1	518016	RONDELLE DE BUTÉE
87	1	530007	DISQUE - FREIN
88	2	530094	ENTRETOISE - FREIN



Ramsey Winch Company
WARTUNGSHANDBUCH
MODELLREIHE 800 / H-800
TIEF GESETZTE WINDEN FÜR DEN
KOMMERZIELLEN EINSATZ MIT DOW-LOK®



*TECHNISCHE DATEN: SAE J706-konform**

Nominale Zugkraft (lbs.)		20,000					
(kg)		9,060					
Getriebeuntersetzung		40:1					
Versandgewicht	800	Y-800	H-800	HY-800			
	315 lbs. (143 Kg)	290 lbs. (132 Kg)	330 lbs. (150 Kg)	325 lbs. (148 Kg)			
Seillage		1	2	3	4	5**	
*Nominale Zugkraft pro Lage	(lbs.)	20,000	16,600	14,200	12,400	11,000	
	(kg)	9,060	7,510	6,430	5,610	4,980	
Seilaufnahme 800 / H-800	(ft)	35	75	125	180	240	
	(m)*	10	22	38	54	72	
Seilaufnahme Y-800 / HY-800	(ft)	20	45	75	110	150	
	(m)*	6	13	22	33	45	
*Seilgeschwindigkeit	Schnecke U/min						
800	570	FPM	22	27	32	35	40
		MPM	6.6	8.1	9.7	10.9	12.3
H-800	460 30 GPM	FPM	18	22	26	29	33
		MPM	5.4	6.6	7.9	8.8	10.0

* Diese technischen Daten basieren auf dem empfohlenen Drahtseil aus verstärktem Stahl mit einem Durchmesser von 16 mm (6x19)

** Die fünfte Lage ist nicht SAE J706-konform

Anmerkung: Die aufgeführte nominale Zugkraft gilt nur für die Winde. Die Nennleistung des Seils muss vom Seilhersteller in Erfahrung gebracht werden.

Wir gratulieren zu Ihrem Kauf

Ramsey Winden werden nach strengsten Spezifikationen konstruiert und gebaut. Jede Winde wird mit großer Sorgfalt und fachlichem Know-how hergestellt. Sollte trotzdem ein Garantiefall eintreten, befolgen Sie bitte die Anweisungen auf der Rückseite der adressierten und frankierten Garantiekarte. Lesen Sie die beiliegende Garantiekarte, füllen Sie diese aus und senden Sie sie an die Ramsey Winch Company. Falls Sie mit Ihrer Winde Probleme haben, folgen Sie bitte den Anweisungen, um einen prompten Service bei allen Garantieansprüchen zu gewährleisten. Die beschränkte Garantie ist auf der Rückseite des Handbuchs aufgeführt.



ACHTUNG: VOR DER INSTALLATION UND INBETRIEBNAHME DER WINDE MUSS DIESES HANDBUCH GELESEN UND VERSTANDEN WERDEN. ALLE SICHERHEITS- UND WARNHINWEISE LESEN!

<p>Ramsey Winch Company P.O. Box 581510 - Tulsa, OK 74158-1510 USA Phone: (918) 438-2760 - Fax (918) 438-6688 http://www.ramsey.com</p>

Inhaltsverzeichnis

Einführung	51
Leistungsdaten	51
Sicherheitshinweise	53
Hinweise zum Betrieb	53
Installation der Winde	54
Installation des Windenseils	54
Wartung der Winde	54
Hydraulik/Leistungsdiagramme	55
Typische Anordnung/Hydraulikschema	55
Fehlersuche	56
Einstellung des pneumatischen Kupplungshebels	56
Einstellen Der Ölgekühlten Sicherheitsbremse	57
Instandhaltung Der Ölgekühlten Sicherheitsbremse	57
Wiedereinbau Und Prüfung Der Bremse	58
Prüfen Des Richtigen Einbaus Der Bremse	58
Anleitung Zum Prüfen Des Richtigen Einbaus Und Der Richtigen Einstellung Der Getriebebremse	58
Anleitung Zum Überholen Der Ramsey Modellreihe 800/H-800 Ram-Lok® Winden	
Demontage	59-61
Montage	61-63
Maßzeichnungen	64-67
Teilleiste und Teilezeichnung	68-75

BESCHRÄNKTE GARANTIE

RAMSEY WINCH garantiert für ein (1) Jahr ab Kaufdatum, dass jede neue RAMSEY Winde frei von Material- und Verarbeitungsfehlern ist. Die Verpflichtung unter dieser Garantie, ob im gesetzlichen Umfang oder anderweitig, beschränkt sich auf den Ersatz oder die Reparatur des Teils, bei dem vom Hersteller nach Inspektion ein Material- oder Verarbeitungsfehler bestätigt wird. Reparaturen dürfen nur im Herstellerwerk oder an einer vom Hersteller bestimmten Stelle durchgeführt werden.

Aus dieser Garantie ausgeschlossen sind Teile, bei denen ohne die Genehmigung des Herstellers Reparaturen oder Modifizierungen durchgeführt wurden oder Geräte, die missbraucht, vernachlässigt oder falsch installiert wurden und RAMSEY WINCH übernimmt keine Arbeits- oder Transportkosten in Verbindung mit dem Ersatz oder der Reparatur solcher defekter Teile.

RAMSEY WINCH haftet in keinem Fall für Sonder- oder Folgeschäden. RAMSEY WINCH gibt keine Gewähr in Bezug auf Zubehör, das durch die Garantie der jeweiligen anderen Hersteller geschützt ist. RAMSEY WINCH behält sich das Recht vor, im Rahmen seines kontinuierlichen Verbesserungsprogramms Produkte durch Ausführungs- und Materialveränderungen zu verbessern, ohne dass dem Hersteller dadurch irgendwelche Pflichten zur Änderung früherer Produkte entstehen.

Wenn auf Anfrage des Käufers im Außendienst Reparaturen durchgeführt werden und es wird festgestellt, dass es sich nicht um einen Defekt des RAMSEY WINCH Produkts handelt, muss der Käufer den Außendienstvertreter für den anfallenden Zeit- und Kostenaufwand entschädigen.

Rechnungen des Käufers für Reparaturen, Arbeitsaufwand und andere Kosten, die nicht im Voraus von RAMSEY WINCH genehmigt wurden, werden nicht akzeptiert.

Genauere Informationen sind der Garantiekarte zu entnehmen.



Sicherheitsmaßnahmen zum Schutz vor Verletzungsgefahren

- A. Vor Beginn des Windenbetriebs muss sichergestellt werden, dass die Kupplung vollständig eingerückt ist.
- B. Die Kupplung nicht unter Last ausrücken.
- C. Niemals unter oder neben angehobenen Lasten stehen.
- D. Während des Ziehens einen sicheren Abstand zum Seil einhalten. Nicht versuchen, das Seil zu lenken.
- E. Die in der Tabelle angeführte maximale Zugkraft nicht überschreiten.
- F. Die Winde nicht zum Heben, Tragen oder anderweitigen Transport von Menschen verwenden.
- G. Zum Halten der Last sind mindestens 5 Seilwicklungen um den Trommelzylinder notwendig. Die Seilklemme ist nicht für das Halten der Last ausgelegt.

HINWEISE ZUM BETRIEB

Um mit der Funktion der Winde vertraut zu werden, sollte vor der tatsächlichen Verwendung ein Probelauf durchgeführt werden. Planen Sie den Probelauf im Voraus. Beim Betrieb hören und sehen Sie die Winde. Werden Sie mit den Geräuschen vertraut, die bei einem leichten konstanten Zug, schweren Zug und bei ruckartigen Bewegungen oder Verschiebungen der Last zu hören sind. Nachdem Sie sich mit allen Funktionen der Winde vertraut gemacht haben, ist deren Bedienung sehr einfach.

Ein ungleichmäßiges Spulen des Seils beim Ziehen einer Last stellt kein Problem dar, außer wenn sich das Seil an einem Trommelende anhäuft. In diesem Fall muss die Winde reversiert werden, um die Last vom Seil zu nehmen, und der Ankerpunkt weiter zur Fahrzeugmitte verschoben werden. Nach Erledigung des Auftrags kann die Winde abgespult und das Seil in sauberen Lagen aufgewickelt werden.

Die Dow-Lok® Kupplung ermöglicht den Seilfreilauf und das Einrücken der Seiltrommel. Bei ausgerückter Kupplung kann das Seil im Freilauf von der Trommel abgezogen werden. Zum Einziehen der Last muss die Kupplung vollständig in der Trommel eingerückt sein.

Ein Bolzen an der Unterseite des Kupplungshebels, der in die Sperrschlitze eingreift, verriegelt die Dow-Lok® Kupplung entweder in der eingerückten (IN) oder ausgerückten (OUT) Stellung.

ENTRIEGELN DER KUPPLUNG

Die Winde im Rücklauf (Abwickelrichtung) laufen lassen, bis das Seil von der Last befreit ist. Dann den Hebel greifen (zur besseren Kontrolle den Daumen auf die Oberseite des Griffes drücken) und hochziehen, bis der Bolzen aus den Sperrschlitzen befreit ist.

EINRÜCKEN DER KUPPLUNG

Den Hebel entriegeln und bis zum Anschlag hineindrücken (IN-Stellung). Zum Erreichen der vollständigen Einrückung müssen die internen Kupplungsteile ausgerichtet sein. Diese Ausrichtung erfolgt, nachdem sich die Seiltrommel bzw. die Seiltrommelwelle maximal 1/4 Drehung gedreht hat. Bei Erreichen dieser Ausrichtung rückt die Kupplung automatisch ein und der Bolzen fällt in die mit IN gekennzeichneten Schlitze. **Niemals versuchen, eine Last zu heben, wenn der Bolzen nicht vollständig in den Sperrschlitzen steckt. Während der automatischen Einrückung des federgelagerten Kupplungshebels den Hebel nicht berühren.**

AUSRÜCKEN DER KUPPLUNG

Den Hebel entriegeln, bis zur mit OUT gekennzeichneten Stellung herausziehen und den Bolzen vollständig in die Sperrschlitze stecken. **Die Kupplung niemals bei anliegender Last ausrücken.**

Die pneumatische Dow-Lok® Kupplung ermöglicht den Seilfreilauf und das Einrücken der Seiltrommel. Bei ausgerückter Kupplung kann das Seil im Freilauf von der Trommel abgezogen werden. Zum Einziehen der Last muss die Kupplung vollständig in der Trommel eingerückt sein.

EINRÜCKEN DER KUPPLUNG

Vor dem Einrücken der Kupplung muss sichergestellt werden, dass das Kabel mindestens 33 cm durchhängt. Bei diesem Durchhang kann sich die Trommel zum Einrücken der Kupplung mindestens um 1/4 Drehung drehen, bevor die Last aufgenommen wird. Bei diesem Durchhang des Seils kann die Druckluft aus dem Druckluftzylinder abgelassen werden. Die Winde in Aufwickelrichtung (IN) laufen lassen, bis sich die Kupplung zu drehen beginnt. **Vor Beginn des Windenbetriebs muss sichergestellt werden, dass die Kupplung vollständig eingerückt ist.**

AUSRÜCKEN DER KUPPLUNG

Die Winde in Abwickelrichtung (OUT) laufen lassen, bis das Seil von der Last befreit ist. Zum Ausrücken der Kupplung 480 - 620 kPa Druck am Druckluftzylinder anlegen. **Die Kupplung niemals bei anliegender Last ausrücken.**

INSTALLATION DER WINDE

Es ist sehr wichtig, dass diese Winde sicher befestigt wird, damit die drei Hauptsegmente (Kupplungsgehäuse, Seiltrommel und Getriebekasten) richtig ausgerichtet sind.

Alle Standardmodelle der Windenserie H-800 Dow-Lok® sind mit den empfohlenen Anbauwinkelrahmen ausgestattet. Der hochfeste Stahlwinkelrahmen hat eine Größe von 12 x 76 x 101 mm.

INSTALLATION DES WINDENSEILS

Bei der Ramsey H-800 Dow-Lok® Winde sind zwei konische Taschen in die Seiltrommel gegossen.

Eine Tasche wird für Installationen verwendet, bei denen das Drahtseil über die Trommel gewickelt wird. Die andere Tasche wird verwendet, wenn das Seil unter der Trommel durchgeführt wird.

1. Das Drahtseil durch das schmale Ende der Tasche bis gegen den Trommelflansch einführen.
2. Das Drahtseil um den Anker-Puck wickeln und dann das Drahtseil mit dem Anker in das weite Ende der Tasche zurückziehen.
3. Mit einem Gummihammer auf die Rückseite des Drahtseils klopfen, bis Drahtseil und Anker fest in der Tasche sitzen.

Das Drahtseil lässt sich leicht von der Trommel entfernen, indem der Anker aus dem weiten Ende der Tasche herausgetrieben wird.

Bei der Y-800/HY-800 (Y-Trommel) Dow-Lok® Winde ist eine Stellschraube vorgesehen, mit der das Seil an der Trommel befestigt wird.

1. Das dem Hakenende gegenüberliegende Seilende in das 17 mm große Loch im Trommelzylinder einführen. Das Seil mit der im Lieferumfang der Winde enthaltenen Stellschraube am Trommelzylinder befestigen. DIE STELLSCHRAUBE GUT FESTZIEHEN.
2. Die Winde in Aufwickelrichtung laufen lassen, das Seilende gespannt halten und das Seil auf die Seiltrommel aufwickeln. Darauf achten, dass sauber gewickelte Lagen entstehen.

WARTUNG DER WINDE

Adhering to the following maintenance schedule will keep your winch in top condition and performing as it should with a minimum of repair.

A. WÖCHENTLICH

1. Ölstand prüfen und ggf. bis zur Ölstandsschraube auffüllen. Bei einem Ölleck dessen Lage ausfindig machen und reparieren.
2. Das Überdruckventil an der Oberseite des Getriebekastens überprüfen. Stets in gutem Zustand halten, damit die heißen Ölgase entweichen können.
3. Das Seil mit einem leichten Öl schmieren.

B. MONATLICH

1. Die verschiedenen Schmiernippel in der Seiltrommel, im Endlager, Kupplungsgehäuse oder Kupplungsgestänge schmieren. Ein molybdän-sulfidhaltiges Schmierfett guter Qualität verwenden.
2. Die Funktion der Rutschkupplung prüfen und sicherstellen, dass sie die Seiltrommel vollständig ein- und ausrückt. Zur Prüfung der vollständigen Einrückung der Kupplung kann der Kunststoffstopfen auf dem Gehäuse entfernt werden. Wenn die Kupplung nicht vollständig einrückt, die Teile der Kupplungshebelbaugruppe überprüfen und auf Beschädigungen oder starken Verschleiß untersuchen. Die entsprechenden Teile bei Bedarf ersetzen. Die Backen an der Kupplung und an der Seiltrommel auf Rundungen (Abnutzung) der Antriebsflächen untersuchen. Falls auf diesen Flächen Rundungen gefunden werden, ist ein sofortiger Ersatz notwendig.
3. Bei den Dow-Lok® Kupplungen muss die Funktion des Sicherungsringes geprüft werden. Prüfen, ob der Ring federgelagert ist und in eingerückter Stellung unbehindert vollständig an die Seiltrommel verfährt, und in ausgerückter Stellung vollständig von der Seiltrommel zurückgezogen und verriegelt wird.
4. Die Befestigungsschrauben der Winde überprüfen. Fehlende Schrauben ersetzen und lockere Schrauben festziehen. Nur Schrauben der Sorte 5 oder besser verwenden.
5. Die Drehmomenteinstellung der ölgekühlten Getriebepbremse überprüfen. Alle notwendigen Einstellungen unter Befolgung der Anleitung im Abschnitt EINSTELLEN DER ÖLGEKÜHLTEN GETRIEBEBREMSE im Benutzerhandbuch vornehmen.
6. Die Ausrichtung der Kette und der Kettenräder prüfen und je nach Bedarf korrigieren, um den Verschleiß minimal zu halten.
7. Das Windenseil inspizieren. Ein ausgefranztes oder beschädigtes Seil muss sofort ersetzt werden.

C. JÄHRLICH

1. Das Öl mindestens jährlich wechseln, öfter bei häufigem Einsatz.
2. Die Winde bis zur Ölstandsschraube mit sauberem Kerosin auffüllen. Die Winde einige Minuten lang ohne Last in Aufwickelrichtung laufen lassen. Das Kerosin aus der Winde ablassen.
3. Die Winde bis zur Ölstandsschraube mit Allzweckgetriebeöl E.P. 140 auffüllen.
4. Den Rahmen und die den Rahmen umgebende Struktur auf Risse und Verformungen überprüfen.
5. Der Zahnradverschleiß kann durch Hin- und Herbewegen der Trommel geschätzt werden. Falls notwendig, das Öl ablassen, den Deckel abnehmen und genauer inspizieren.

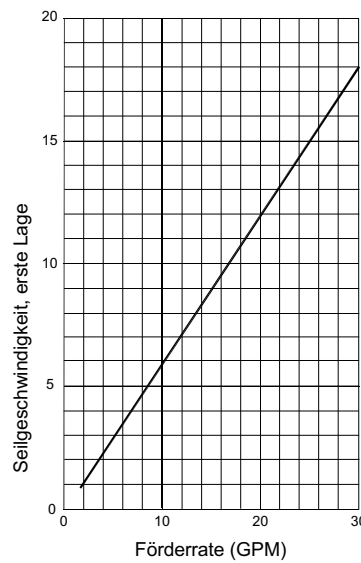
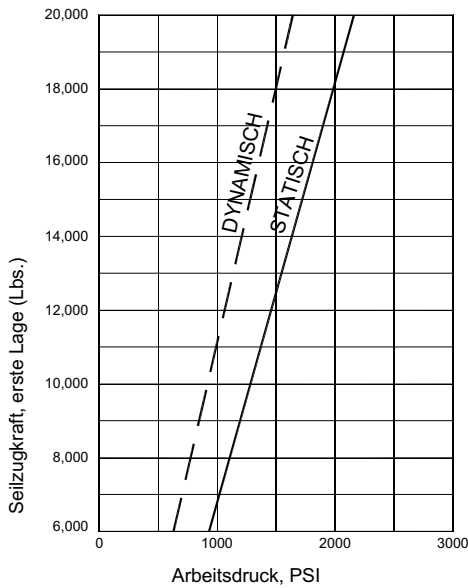
HYDRAULIKANFORDERUNGEN

Zur richtigen Wahl der Hydraulik für die Leistung der H-800 Dow-Lok® Winde ist auf die folgenden Leistungsdiagramme Bezug zu nehmen. Die Diagramme zeigen:

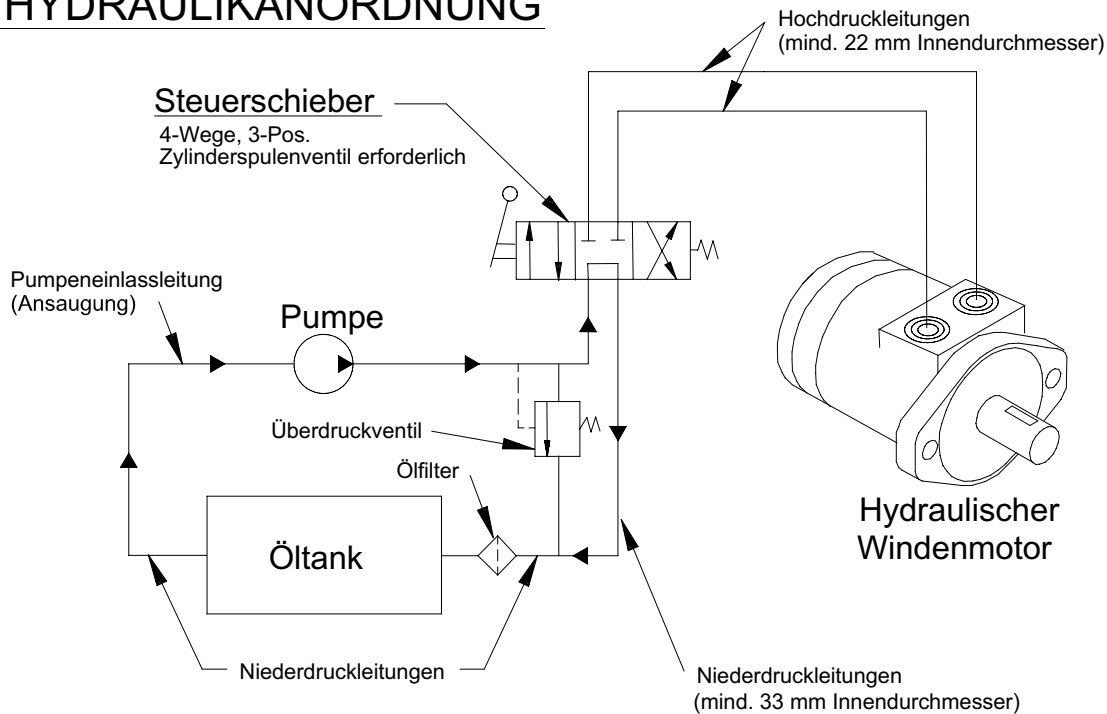
1. Seilzugkraft (lb.) der ersten Lage im Vergleich zum Arbeitsdruck (PSI). STATISCH (durchgehende Linie) bezieht sich auf das Heben einer schwebenden Last vom Ruhezustand; DYNAMISCH (gestrichelte Linie) bezieht sich auf die Beibehaltung der Bewegung einer gezogenen Last.
2. Seilgeschwindigkeit, erste Lage (ft./min) im Vergleich zu GPM.

Leistung auf Basis eines Hubraums von 244 cm³ mit einer maximalen Förderrate von 113 l/min. Siehe Seite 65 für Motoranschlussgröße.

H-800 / HY-800 Leistungsdaten 900 kg Arbeitsnennlast, 40:1 Getriebeuntersetzung



TYPISCHE HYDRAULIKANORDNUNG

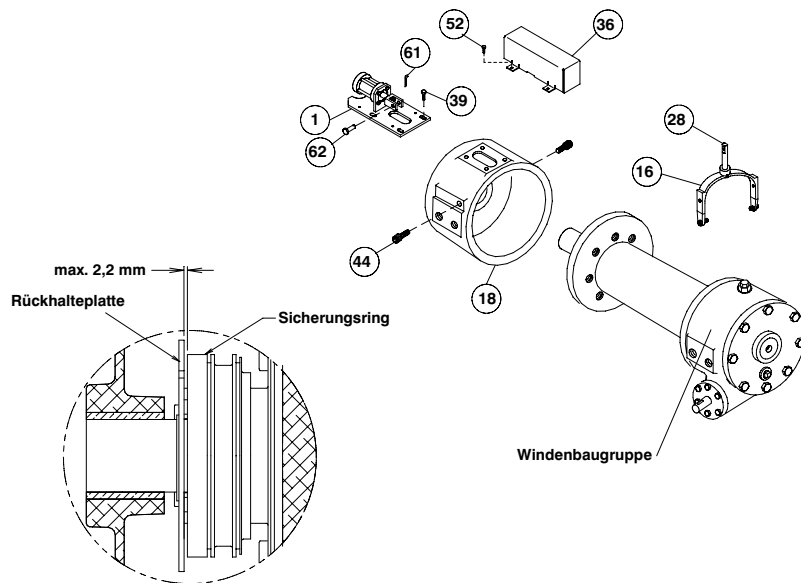


FEHLERSUCHE

ZUSTAND	MÖGLICHE URSACHE	ABHILFE
KUPPLUNG FUNKTIONIERT NICHT ODER HÄNGT FEST.	1. Trockene oder verrostete Welle. 2. Gabelkopf oder Gestänge verbogen.	1. Reinigen und schmieren. 2. Gabelkopf oder Wellenbaugruppe ersetzen.
ÖL LECKT AUS DEM GEHÄUSE	1. Dichtung beschädigt oder verschliss- sen. 2. Zu viel Öl. 3. Beschädigter Dichtring.	1. Dichtung ersetzen. 2. Überschüssiges Öl ablassen. Siehe Hinweise zum Betrieb. 3. Dichtring ersetzen.
DIE LAST VERSCHIEBT SICH NACH UNTEN	1. Getriebeklemme ist verschliss- sen. 2. Getriebeklemme ist falsch eingestellt.	1. Bremscheibe ersetzen. (Siehe Seite 57.) 2. Einstellschraube 1/4 Drehung nach rechts drehen oder bis sich die Ladung nicht mehr verschiebt.
DIE WINDE LÄUFT ZU LANGSAM	1. Hydraulikmotor ist abgenutzt. 2. Niedrige Förderrate.	1. Motor ersetzen. 2. Förderrate überprüfen. Siehe Hydraulik-Flussdiagramm auf Seite 55.
KEIN FREILAUF AN DER SEILTROMMEL	1. Winde nicht gerade montiert, wodurch die Trommel durch die Endlager eingeklemmt wird.	1. Zusammenbau überprüfen. Siehe Installation der Winde auf Seite 54.
SEIL VERWICKELT SICH, WENN DIE KUPPLUNG AUSGERÜCKT WIRD	1. Trommelbremsenscheibe verschliss- sen.	1. Scheiben ersetzen.
HYDRAULIKÖL LECKT AUS DEM LOCH IM MOTORADAPTER	1. Dichtung der Motorwelle beschädigt.	1. Dichtung ersetzen.

EINSTELLUNG DES PNEUMATISCHEN KUPPLUNGSEBELS

- Die Windenbaugruppe wieder im Anbaurahmen anbringen und mit acht (8) Befestigungsschrauben und Sicherungsscheiben befestigen. Die Befestigungsschrauben auf 393 Nm festziehen. Sicherstellen, dass Getriebekasten und Kupplungsgehäuse nicht an den Trommelflanschen reiben.
- Den pneumatische Kupplungshebel (Nr. 5) auf die Kupplungshebelwelle schieben und den Gabelkopf auf den Planflächen der Welle ausrichten. Den Gabelkopf unter Verwendung des Lastösenbolzens (Nr. 76) und des Splints (Nr. 75) an der Welle befestigen. Den Kupplungshebel in die EINGERÜCKTE Position stellen. Bei vollständig zurückgezogener Luftzylinderwelle den Kupplungshebel ganz bis zur Trommel schieben, bis die Kupplungshebelwelle vollständig spielfrei ist. Den Kupplungshebel mit vier (4) Kopfschrauben (Nr. 46) (geflanschter, verzahnter Sechskantkopf) am Kupplungsgehäuse befestigen. Festziehen, aber noch nicht mit dem Drehmomentschlüssel.
- Die Druckluft (480 - 620 kPa) am Einlass des Druckluftzylinders anschließen und die Kupplung ausrücken. Durch die Öffnung im Kupplungsgehäuse prüfen, dass sich der Sicherungsring und die Rückhalteplatte nicht berühren. Zwischen Sicherungsring und Rückhalteplatte darf kein Kontakt vorhanden sein. Bei vollständig ausgerückter Winde muss zwischen Sicherungsring und Rückhalteplatte ein Spalt von max. 2,2 mm vorhanden sein. Wenn ein Kontakt vorhanden ist, die vier (4) Kopfschrauben (Nr. 46) lösen und die Platte ca. 1,5 mm von der Trommel wegziehen. Die Schrauben wieder festziehen und erneut prüfen, ob ein ausreichender Spalt vorhanden ist. Diese Einstellung wiederholen, bis der richtige Spalt erzielt wird. Die Kupplung 2- oder 3-mal schalten, um die richtige Funktion zu prüfen. Nach der endgültigen Einstellung die vier (4) Kopfschrauben (Nr. 46) auf 24 Nm festziehen. Die Abdeckung (Nr. 43) mit vier (4) Kopfschrauben (Nr. 61) befestigen.



EINSTELLEN DER ÖLGEKÜHLTEN GETRIEBEBREMSE

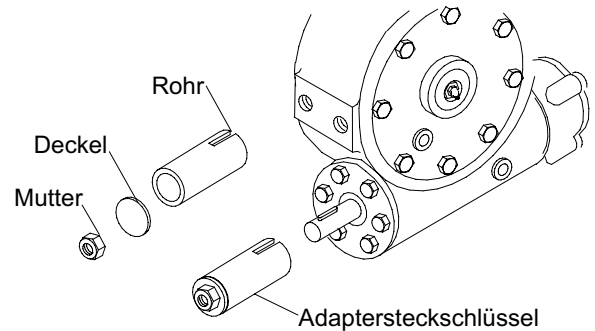
Die ölgekühlte, einstellbare, automatische Sicherheitsbremse arbeitet im Ölbad des Schneckenantriebsgehäuses. Alle Teile liegen im Öl. Wenn die Bremse bis zu dem Punkt verschlissen ist, dass sich die Last verschiebt, kann die Bremse wie folgt nachgestellt werden:

1. Die Sicherungsmutter an der Einstellschraube lösen.
2. Die Einstellschraube nach rechts drehen, um die Bremse festzuziehen. **ACHTUNG:** Normalerweise ist nur 1/4-Drehung zum Einstellen der Bremse notwendig. Ein zu starkes Anziehen kann zur Überhitzung und Beschädigung der Bremsenteile führen. Nach der Einstellung die Sicherungsmutter wieder festziehen.

Wenn die Bremse nach der Einstellung keine Verbesserung aufweist, muss eine neue Blattfeder und Brems scheibe eingebaut werden.

Zur Anpassung an die Antriebswelle (Schnecke) der Winde kann ein Drehmomentschlüssel mit einem Spezialadapter versehen werden. Der Adapter kann durch Schweißen einer Mutter auf das Ende eines Rohrstücks hergestellt werden (siehe Abbildung unten).

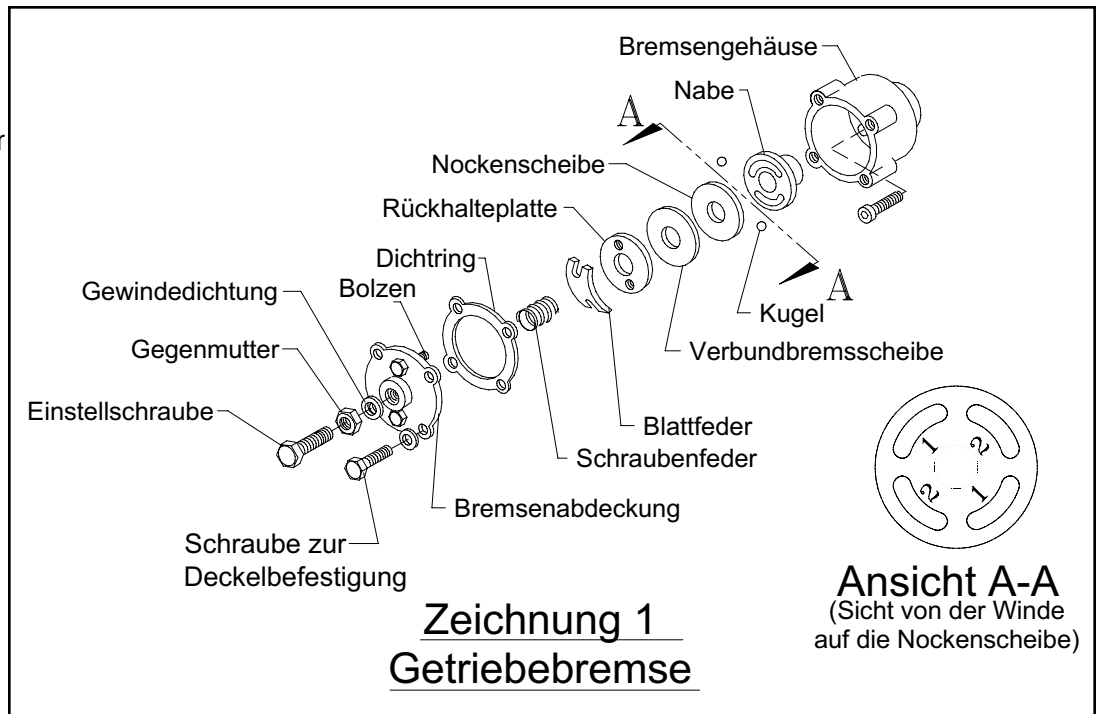
Nachdem Deckel und Mutter auf das Rohr geschweißt wurden, muss das Rohr wie gezeigt genutzt werden. Dadurch kann der Spezialadapter auf die Keilnut geschoben und wie ein großer Steckschlüssel eingesetzt werden. Anschließend kann mit einem Drehmomentschlüssel das richtige Anzugsmoment erzeugt werden. Den Drehmomentschlüssel so drehen, dass sich die Trommel in Abwickelrichtung oder Absenkrichtung bewegt. Das nominale Anzugsmoment für Modell 800 ist 67 – 74 Nm). Wenn am Drehmomentschlüssel nicht der richtige Wert angezeigt wird, sollte die Einstellschraube der Getriebekbremse 1/4-Drehung nach rechts gedreht werden. Die Drehmomentablesung nach jedem Drehen der Einstellschraube prüfen. Diesen Vorgang wiederholen, bis das richtige Drehmoment angezeigt wird. Dann die Sicherungsmutter wieder festziehen.



INSTANDHALTUNG DER ÖLGEKÜHLTEN SICHERHEITSBREMSE

1. Die Ablassschraube entfernen und das Öl aus dem Schneckengetriebe ablassen.
2. Die Sicherungsmutter und anschließend die Stellschraube durch zwei oder mehr Linksdrehungen lösen.
3. Die Befestigungsschrauben der Abdeckung entfernen.
4. Die Abdeckung mit der Schraubenfeder und der Blattfeder abnehmen.
5. Rückhalteplatte, Verbundbrems scheibe, Nockenscheibe und Kugeln ausbauen. Darauf achten, wie die Kugeln in den Schlitzen liegen.
6. Die Teile wie folgt inspizieren:

- a. Verbundbrems scheiben sind im Neuzustand 6 mm dick. Wenn sie dünner als 4 mm sind oder wenn die Oberflächen glänzend oder verbrannt aussehen, müssen sie ersetzt werden.
- b. Die flache, geschliffene Oberfläche der Nockenscheibe und der Rückhalteplatte auf Anzeichen von Glanzstellen, Verformung oder andere Schäden untersuchen. Glanzstellen können durch vorsichtiges Abschaben entfernt werden.
- c. Die Blattfeder inspizieren. Sie sollte eine Biegung von 3 mm aufweisen.



WIEDEREINBAU UND PRÜFUNG DER BREMSE

1. Die Bremsnabe über der Schneckenantriebswelle und dem Keil einpressen.
2. Die Kugel in die entsprechenden Schlitze des Nockens installieren. (Siehe Zeichnung 1 auf Seite 57.) Zum Halten der Kugeln ein dickes Schmierfett auftragen und den Nocken über das Ende der Schneckenwelle schieben. Die Kugeln müssen fest zwischen den Nockenschlitzen und Nabenschlitzen sitzen. Die Bestimmung des richtigen Sitzes in den Kugelschlitzen ist auf Seite 55 beschrieben.
3. Die Bremsscheibe einbauen.
4. Die Rückhalteplatte mit der glatten Seite zur Bremsscheibe einsetzen.
5. Auf dem Deckel einen Dichtring mit einer kleinen Menge Schmierfett oder Dichtmittel anbringen.
6. Die Schraubenfeder wird auf die Einstellschraube an der Innenseite des Deckels geschoben.
7. Die Kerben der Blattfeder auf die durch den Deckel ragenden Bolzen stecken. Die hohle Seite der Blattfeder muss zur Bremse gerichtet sein.
8. Den Deckel des Bremsengehäuses einbauen und darauf achten, dass die herausragenden Bolzen durch die Blattfeder hindurch und in die Löcher der Rückhalteplatte gesteckt sind.
9. Den Deckel mit den Befestigungsschrauben befestigen. Die Ablassschraube wieder einsetzen und 470 ml E.P. 140 Allzwecköl einfüllen.
10. Die Winde um mindestens eine Drehung der Antriebswelle in Hubrichtung drehen.
11. Die Einstellschraube handfest anziehen.

PRÜFEN DES RICHTIGEN EINBAUS DER BREMSE

Nachdem die Bremse auf das richtige Drehmoment eingestellt wurde, die Kupplung ausrücken. Den Fahrzeugmotor anlassen und die Winde in Aufwickelrichtung (Hubrichtung) drehen. Die Winde eine Minute lang in diese Richtung laufen lassen.

Die Hand auf das Gehäuse der Sicherheitsbremse legen. Wenn das Gehäuse nicht heiß ist, die Winde eine Minute lang in die entgegengesetzte Richtung (Abrollen des Seils) laufen lassen. Das Bremsengehäuse sollte beginnen, heiß zu werden.

Wenn diese Bedingungen wie beschrieben vorliegen, wurde die Bremse richtig installiert. Sollte sich das Gehäuse beim Aufwickeln (Hubrichtung) der Winde erhitzen, muss die Bremse wieder auseinander gebaut werden. Nach der Demontage die Bremskugeln in den anderen Satz Schlitze in der Nockenscheibe stecken, die Bremse unter sorgfältiger Beachtung der Anweisungen wieder zusammenbauen und erneut prüfen.

ANLEITUNG ZUM PRÜFEN DES RICHTIGEN EINBAUS UND DER RICHTIGEN EINSTELLUNG DER GETRIEBEBREMSE

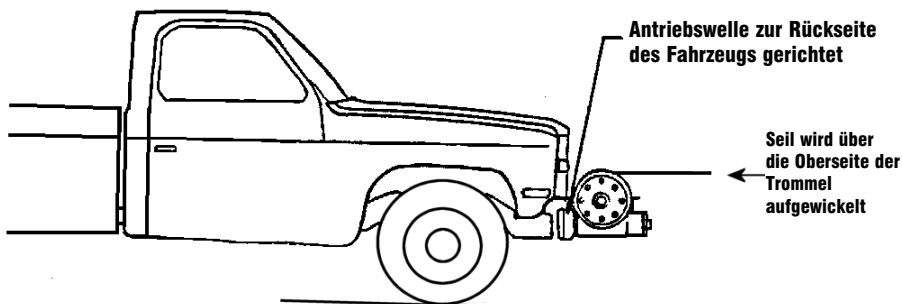
Wenn die Getriebebremse montiert ist, muss die Bremse mit den Kugeln im 1. oder 2. Satz der Nockenschlitze eingestellt werden. (Ansicht A-A auf Seite 45.) Auf dem Typenschild ist angegeben, ob die Kugeln werkseitig in die 1. oder die 2. Schlitze installiert wurden.

In welchen Schlitzen die Kugeln installiert werden müssen, wird von drei Faktoren bestimmt:

1. Die Richtung, in der das Seil auf die Trommel gewickelt wird. Normalerweise wird das Seil ÜBER die Trommeloberseite hinweg auf den Trommelzylinder gewickelt.
2. Der Schnitt des Zahnradsatzes, rechts- oder linksdrehend. Der letzte Buchstabe in der Modellnummer der Winde: entweder R oder L, wobei R für rechtsdrehendes und L für linksdrehendes Zahnrad steht. Beispiel: R-20AR, R-30L, 700R, 800L.
3. Die Seite der Winde, auf der sich die Antriebswelle befindet. Die ANTRIEBSWELLE IST NORMALERWEISE ZUR FAHRERKABINE GERICHTET. Ob sich der Getriebekasten der Winde auf der rechten oder linken Seite der Winde befindet, hat keine Auswirkung auf die Bremseneinstellung.

BEISPIEL: Wenn das Seil über die Oberseite der Trommel gewickelt wird, die Winde ein rechtsgeschnittenes Zahnrad hat und die Antriebswelle zur Fahrerkabine gerichtet ist (Zeichnung 2), müssen die Kugeln in den 2. Satz der Nockenschlitze installiert werden.

Wenn irgendeiner dieser drei Faktoren von den obigen Bedingungen abweicht, müssen die Kugeln in den 1. Satz der Nockenschlitze installiert werden. Bei einer zweiten Veränderung dieser Faktoren muss die ursprüngliche Anordnung verwendet werden, und wenn alle drei Faktoren abweichen, müssen die Kugeln im 1. Satz der Schlitze installiert werden. (Die Demontage- und Montageanweisungen auf den Seiten 57 und 58 befolgen.)



ZEICHNUNG 2

ANLEITUNG ZUM ÜBERHOLEN DES RAMSEY MODELLS H-800 DOW-LOK®

Demontage

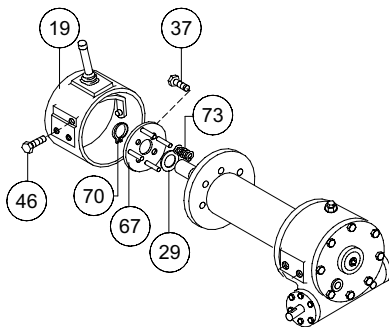
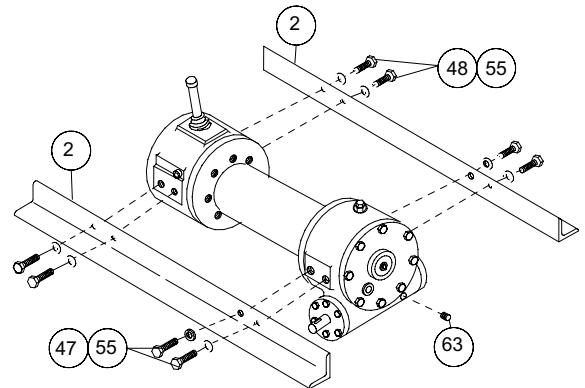
Die Positionsnummern und die dazugehörigen Teile sind der Teilleiste und den Teilezeichnungen zu entnehmen.

(1)

Das Öl aus dem Getriebekasten ablassen. Dazu den Rohrstopfen (Nr. 63) aus dem Getriebekasten entfernen.

Die Kupplung einrücken (IN).

Die Anbauwinkel (Nr. 2) von der Winde abnehmen.



(2)

Zwei Kopfschrauben (Nr. 46) vom Kupplungsgehäuse (Nr. 19) entfernen und den Kupplungshebel entriegeln.

Das Kupplungsgehäuse vom Ende der Trommelwelle herunterziehen. Die Rückhalteplatte (Nr. 67) nach innen drücken, um die Federspannung zu lösen und den Sicherungsring (Nr. 70) entfernen.

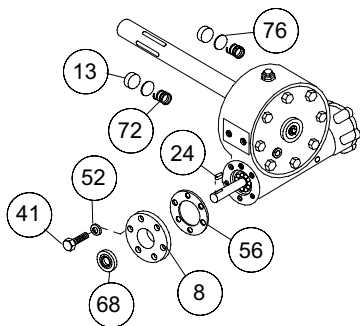
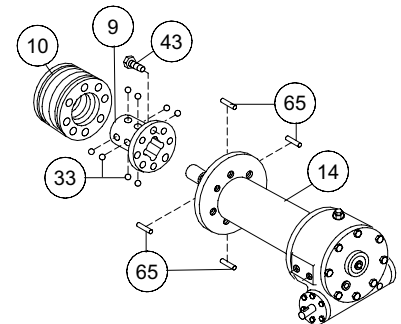
Die vier Kopfschrauben (Nr. 37), Rückhalteplatte (Nr. 67), Federn (Nr. 73) und Abstandhalter (Nr. 29) entfernen.

(3)

Den Sicherungsring (Nr. 10) von der Kupplung abziehen. ANMERKUNG: Der Sicherungsring kann nur bei eingerückter Kupplung und in den Keilnuten der Welle eingreifenden Zapfen (Nr. 65) entfernt werden.

Die Seiltrommel so drehen, dass die acht Kugeln (Nr. 33) und die vier Zapfen (Nr. 65) abgenommen werden können.

Falls notwendig, kann die Kupplung (Nr. 9) durch Entfernen der acht Kopfschrauben (Nr. 43) von der Trommel abgebaut werden. Die Trommel (Nr. 14) von der Trommelwelle abziehen.



(4)

Den Keil (Nr. 24) von der Schneckenantriebswelle abziehen.

Durch Entfernen von sechs Kopfschrauben (Nr. 41) und Sicherungsscheiben (Nr. 52) den Lagerdeckel (Nr. 8) und den Dichtring (Nr. 56) ausbauen.

Die Dichtung (Nr. 68) aus dem Lagerdeckel entfernen und eine neue Dichtung einpressen.

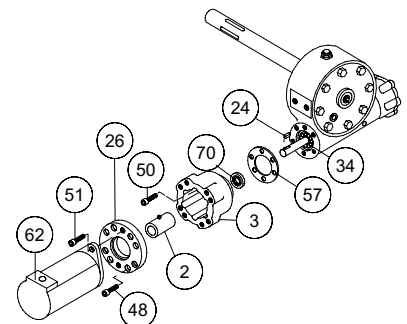
Die Trommelbremsenscheibe (Nr. 13), den Abstandhalter (Nr. 76) und die Feder (Nr. 72) müssen überprüft und bei Bedarf ersetzt werden.

(5)

Den Motor (Nr. 62) von der Adapterplatte (Nr. 26) abnehmen. Dazu die Kopfschrauben (Nr. 51) entfernen.

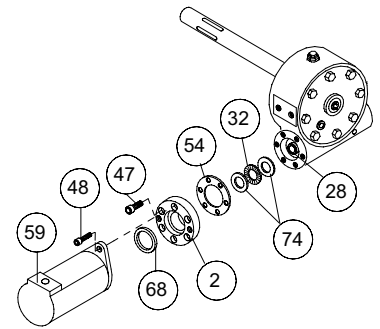
Die Adapterplatte und Kupplung (Nr. 2) vom Adapter (Nr. 3) abnehmen. Dazu die acht Kopfschrauben (Nr. 48) entfernen.

Den Keil (Nr. 24) von der Schneckenantriebswelle abziehen. Sechs Kopfschrauben (Nr. 50) entfernen und den Adapter vom Getriebekasten abnehmen. Die Adapterdichtung (Nr. 70) und den Dichtring (Nr. 57) einbauen.



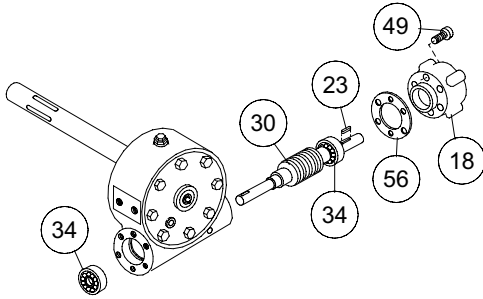
(5a)

Den Motor (Nr. 59) vom Adapter (Nr. 2) abnehmen. Dazu die zwei Kopfschrauben und Sicherungsscheiben (Nr. 48 und 52) entfernen. Durch Entfernen von sechs Kopfschrauben (Nr. 47) den Adapter (Nr. 2) vom Getriebekasten abnehmen. Die Adapterdichtung (Nr. 68) und den Dichtring (Nr. 54) einbauen. Das Ausrücklager (Nr. 32) und die Anlaufscheiben (Nr. 74) entfernen.



(6)

Siehe Seite 57, INSTANDHALTUNG DER ÖLGEKÜHLTEN SICHERHEITSBREMSE. Durch Entfernen von sechs Kopfschrauben (Nr. 49) das Bremsengehäuse (Nr. 18) vom Getriebekasten abnehmen. Den Keil (Nr. 23) von der Schnecke (Nr. 30) abziehen. Die Schnecke (Nr. 30) und das Lager (Nr. 34) aus dem Getriebekasten ausbauen. Mit einem Gummihammer sanft auf das Antriebsende der Schnecke klopfen und die Schnecke mit dem Lager aus dem Getriebekasten treiben. Nachdem die Schnecke aus dem Getriebekasten entfernt wurde, kann das Lager aus dem Ende der Schnecke herausgestemmt werden.

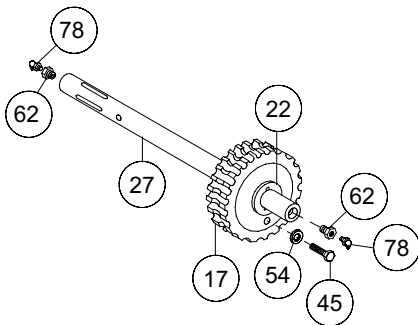
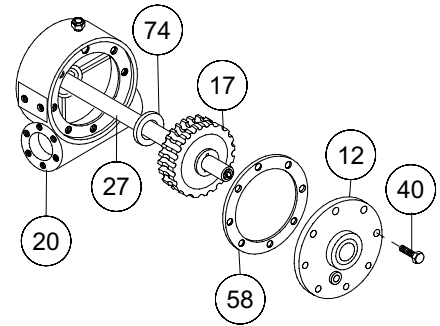


Schnecke (Nr. 30) und Lager (Nr. 34) auf Anzeichen von Verschleiß oder Beschädigungen überprüfen. Bei Bedarf ersetzen.

(7)

Den Deckel (Nr. 12) vom Getriebekasten (Nr. 20) abnehmen. Dazu die acht Kopfschrauben (Nr. 40) entfernen. Zwei Kopfschrauben in die Gewindebohrungen des Deckels einsetzen und festziehen. Dadurch wird der Deckel vom Getriebekasten abgestemmt.

Den Dichtring (Nr. 58) vom Deckel abnehmen und die Welle (Nr. 27) mit befestigtem Zahnrad (Nr. 17) und Abstandhalter (Nr. 74) aus dem Getriebekasten ausbauen.



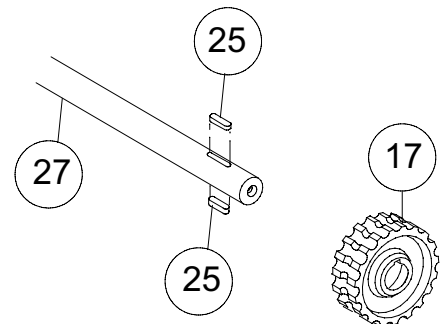
(8)

Die Zahnradzähne auf Verschleißanzeichen überprüfen. Das Zahnrad bei Bedarf ersetzen. Schmiernippel (Nr. 78) auf Schäden überprüfen und bei Bedarf ersetzen. Wenn Schritt 9 durchgeführt wird, die Schmiernippel (Nr. 78) und Reduzierstücke (Nr. 62) von den Wellenenden abziehen und nach Schritt 9 wieder einbauen.

(9)

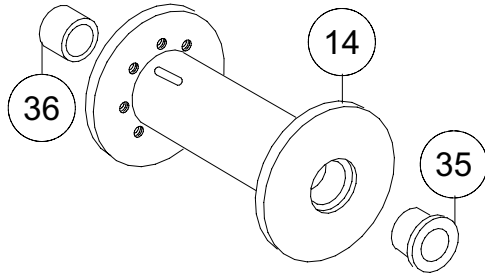
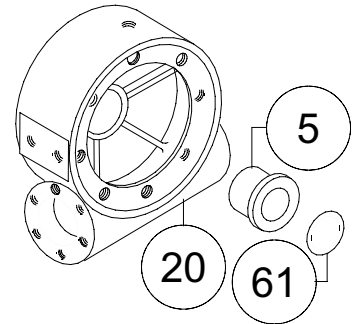
Wenn die Welle und/oder die Zahnradnabe beschädigt ist, wie folgt vorgehen:

- Die Keile (Nr. 25) in die kurzen Keilnuten der Trommelwelle (Nr. 27) klopfen.
- Die Welle (Nr. 27) und die Keile durch die Zahnradnabe (Nr. 17) pressen, bis die Keilenden am langen Ende der Welle oberflächenbündig mit der Nabe abschließen.



(10)

Die Getriebekastenbuchse (Nr. 5) und den O-Ring (Nr. 63) auf Anzeichen von Verschleiß überprüfen. Bei Bedarf die alte Buchse aus dem Getriebekasten (Nr. 20) stemmen und eine neue Buchse einpressen. Bei der neuen Buchse zwei neue O-Ringe (Nr. 61) in die Rille in der Buchse drücken.

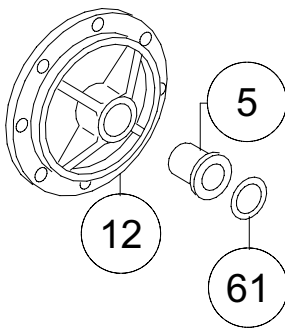
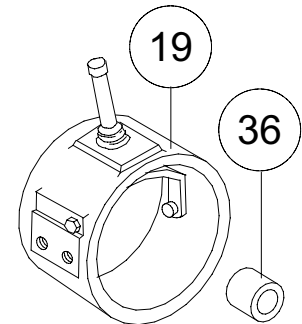


(11)

Die Seiltrommelbuchsen (Nr. 35 und 36) auf Anzeichen von Verschleiß überprüfen. Bei Bedarf die alte Buchse aus der Trommel (Nr. 14) stemmen. Die neue Buchse (Nr. 35) in die Bohrung der Trommel pressen, bis der Flansch am Boden der Aussenkung anliegt. Die Buchse (Nr. 36) in die gegenüberliegende Bohrung an der Trommel einpressen, bis das Buchsenende 12 mm über den Trommelrand hinausragt.

(12)

Die Endlagerbuchse (Nr. 36) auf Anzeichen von Verschleiß überprüfen. Bei Bedarf die alte Buchse herausstemmen und eine neue Buchse einpressen.



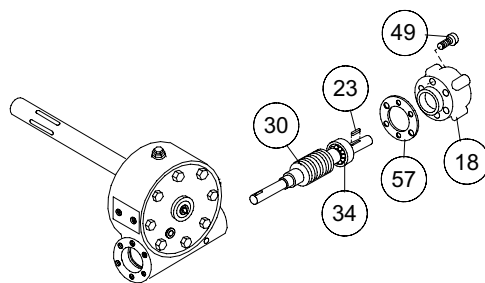
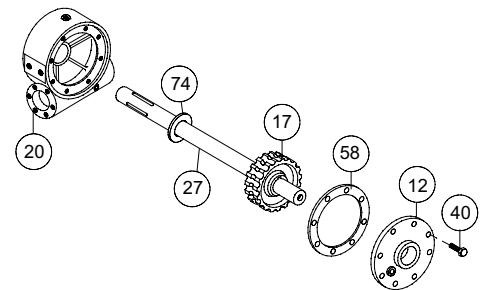
(13)

Die Abdeckungsbuchse (Nr. 5) und den O-Ring (Nr. 61) auf Anzeichen von Verschleiß überprüfen. Bei Bedarf die alte Buchse aus dem Getriebekastendeckel (Nr. 12) stemmen und eine neue Buchse einpressen. Bei der neuen Buchse zwei neue O-Ringe (Nr. 61) in die Rille in der Buchse drücken.

Montage

(14)

Den Abstandhalter (Nr. 74) auf das lange Ende der Welle bis an die Zahnradnabe schieben. Auf das dem Zahnrad gegenüberliegende Ende Schmierfett auftragen. Auf die Buchse im Getriebekasten (Nr. 20) Schmierfett auftragen. Das geschmierte Wellenende durch die Buchse im Getriebekasten (Nr. 20) schieben. Den Dichtring (Nr. 58) auf dem Getriebekastendeckel (Nr. 12) anbringen. Auf das zahnradseitige Ende der Welle und auf die Abdeckungsbuchse Schmierfett auftragen. Den Deckel auf die Welle schieben und mit acht Kopfschrauben (Nr. 40) auf dem Getriebekasten befestigen. Die Kopfschrauben auf 52 Nm festziehen.



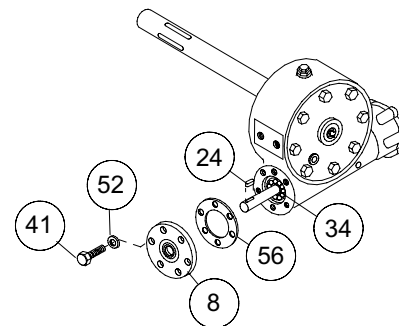
(15)

Das Lager (Nr. 34) auf die Schnecke (Nr. 30) pressen. ANMERKUNG: Darauf achten, dass die dicke Schulter des Außenlaufs des Lagers (die Seite mit dem aufgedruckten Herstellernamen und der Teilenummer) nach außen, vom Schneckengewinde weg gerichtet ist. Das Lager und die Schnecke in den Getriebekasten pressen. Den Dichtring (Nr. 56) auf das Bremsengehäuse (Nr. 18) schieben. Mit sechs Kopfschrauben (Nr. 49) das Bremsengehäuse am Getriebekasten befestigen. Die Kopfschrauben auf 61 Nm festziehen.

Den Keil (Nr. 23) in die Keilnut der Schnecke (Nr. 30) klopfen. Der Zusammenbau und die Prüfung der Getriebeklemme ist auf Seite 57 beschrieben.

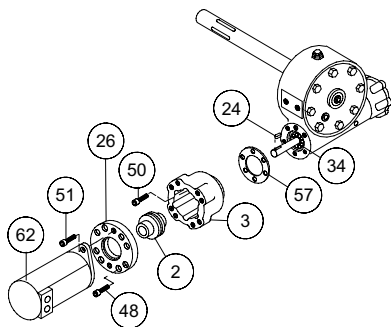
(16)

Das Lager (Nr. 34) auf die Schnecke und in den Getriebekasten pressen. ANMERKUNG: Darauf achten, dass die dicke Schulter des Außenlaufrings des Lagers (die Seite mit dem aufgedruckten Herstellernamen und der Teilenummer) nach außen, vom Schneckengewinde weg gerichtet ist. Durch Entfernen von sechs Kopfschrauben (Nr. 41) und Sicherungsscheiben (Nr. 52) den Lagerdeckel (Nr. 8) am Getriebekasten befestigen. Die Kopfschrauben auf 52 Nm festziehen. Den Keil (Nr. 24) in die Keilnut der Schneckengetriebewelle stecken.



(17)

Das Lager (Nr. 34) auf die Schnecke und in den Getriebekasten pressen. ANMERKUNG: Darauf achten, dass die dicke Schulter des Außenlaufrings des Lagers (die Seite mit dem aufgedruckten Herstellernamen und der Teilenummer) nach außen, vom Schneckengewinde weg gerichtet ist. Unter Verwendung von sechs Kopfschrauben (Nr. 50) den Adapter (Nr. 3) am Getriebekasten befestigen. Die Kopfschrauben auf 61 Nm festziehen. Den Keil (Nr. 24) in die Keilnut der Schneckengetriebewelle stecken. Die Kupplung (Nr. 2) auf das Ende der Schneckengetriebewelle schieben. Unter Verwendung von acht Kopfschrauben (Nr. 48) die Adapterplatte (Nr. 26) am Adapter befestigen. Die Kopfschrauben auf 28 Nm festziehen.

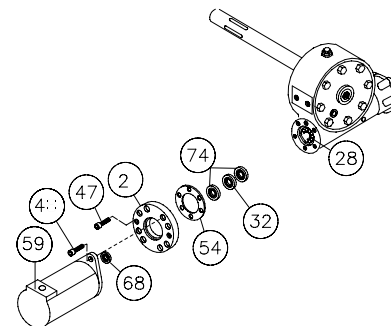


Die Motorwelle mit in die Keilnut eingestecktem Keil in die Kupplung schieben. Den Motor (Nr. 62) mit zwei Kopfschrauben (Nr. 51) am Adapter befestigen. Die Kopfschrauben auf 138 Nm festziehen.

(17a)

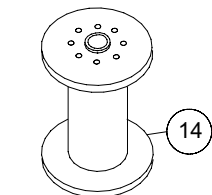
Anlaufscheiben (Nr. 74) und Ausrücklager (Nr. 32) auf die Schnecke (Nr. 28) und in den Getriebekasten schieben. Unter Verwendung von sechs Kopfschrauben (Nr. 47) den Adapter (Nr. 2) mit dem Dichtring (Nr. 54) am Getriebekasten befestigen. Die Kopfschrauben auf 61 Nm festziehen.

Die Adapterdichtung (Nr. 68) in den Adapter einsetzen und die Motorwelle bei in die Keilnut eingreifendem Keil durch die Dichtung schieben (um eine Beschädigung der Dichtung zu vermeiden). Die Motorwelle in die Schnecke (Nr. 28) schieben. Den Motor (Nr. 59) mit zwei Kopfschrauben (Nr. 48) und Sicherungsscheiben (Nr. 52) an der Kupplung befestigen. Die Kopfschrauben auf 138 Nm festziehen.



(18)

Die Winde mit dem Getriebekastendeckel nach unten auf eine Arbeitsbank legen. Die Trommelwelle muss vertikal stehen. Die Federn (Nr. 72) in die Taschen des Getriebekastens stecken, sodass die Trommelbremse (Nr. 13) auf den Scheiben (Nr. 76) und Federn gelagert ist. Die Trommel (Nr. 14) wie gezeigt auf die Trommelwelle schieben.



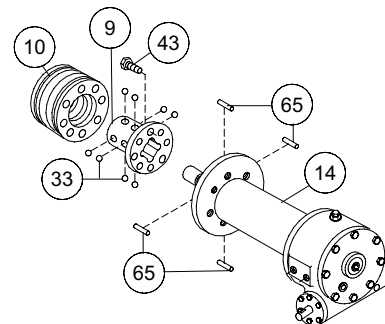
(19)

Das Kupplungsgehäuse (Nr. 9) auf die Trommelwelle schieben. Die Kupplung auf der Adapterbuchse in der Trommel ausrichten. Die acht Kopfschrauben (Nr. 43) einsetzen und auf 139 Nm festziehen, sodass die Kupplung richtig in der Trommel sitzt.

Die Trommel drehen, um die Kupplungsschlitze auf die Keilnuten der Welle auszurichten. Die vier Zapfen (Nr. 65) und die acht Kugeln (Nr. 33) leicht schmieren. Dazu Molybdändisulfid- oder Graphit-Lagerfett verwenden. Die vier Zapfen (Nr. 65) und die acht Kugeln (Nr. 33) einsetzen. In der eingerückten Position schließen die Kugeln fast oberflächenbündig mit der Kupplung ab.

Die innere und äußere Rille und Bohrung im Sicherungsring (Nr. 10) und in der Kupplung (Nr. 9) leicht schmieren.

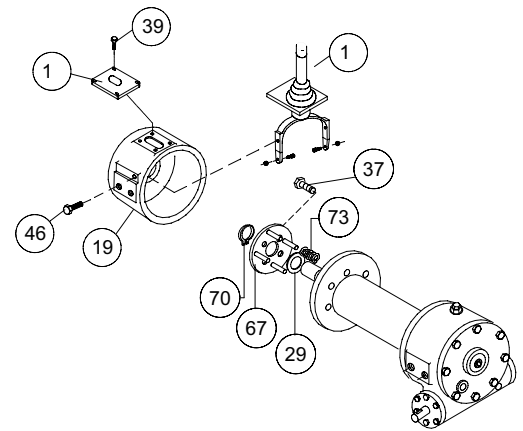
Den Sicherungsring auf die Kupplung schieben. Bei vollständig eingerückter Kupplung berührt der Sicherungsring den Kupplungsflansch und zwischen dem Ende des Sicherungsringes und dem Ende der Kupplung ist ein Spalt von 18 - 18,5 mm vorhanden.



(20)

Vier Federn (Nr. 73) auf die vier Spannstifte der Rückhalteplatte (Nr. 67) stecken. Den Abstandhalter (Nr. 29) und die Rückhalteplatte einbauen und mit vier Kopfschrauben (Nr. 37) an der Kupplung befestigen. Die Kopfschrauben auf 13 Nm festziehen. Den Sicherungsring (Nr. 70) fest in die Rille in der Trommelwelle drücken.

Den Kupplungshebel so stellen, dass die Schraubenköpfe in die externe Rille im Sicherungsring (Nr. 10) eingreifen. Das Kupplungsgehäuse (Nr. 19) auf die Trommelwelle schieben und den Kupplungshebel in der eingerückten (IN) Position verriegeln. Die zwei Kopfschrauben (Nr. 46) anbringen.



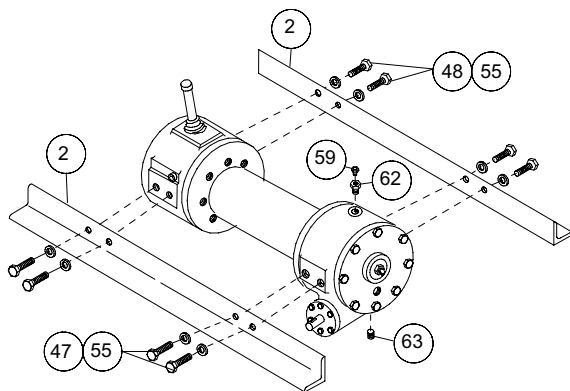
(21)

Die Anbauwinkelrahmen (Nr. 2) an der Winde montieren. Mit Kopfschrauben (Nr. 47 und 48) und Sicherungsscheiben (Nr. 55) befestigen. Die Kopfschrauben auf 393 Nm festziehen. Die Verschlusschraube (Nr. 63) in den Boden des Getriebekastens einsetzen. Die Verschlussstopfen (Nr. 59 und 62) von der Oberseite des Getriebekastens entfernen. Durch das Loch 1,7 Liter E.P. 140 Öl einfüllen und die Stopfen wieder einsetzen.

Die Funktion der Kupplung durch mehrmaliges Schalten und Freilaufen der Windentrommel prüfen.

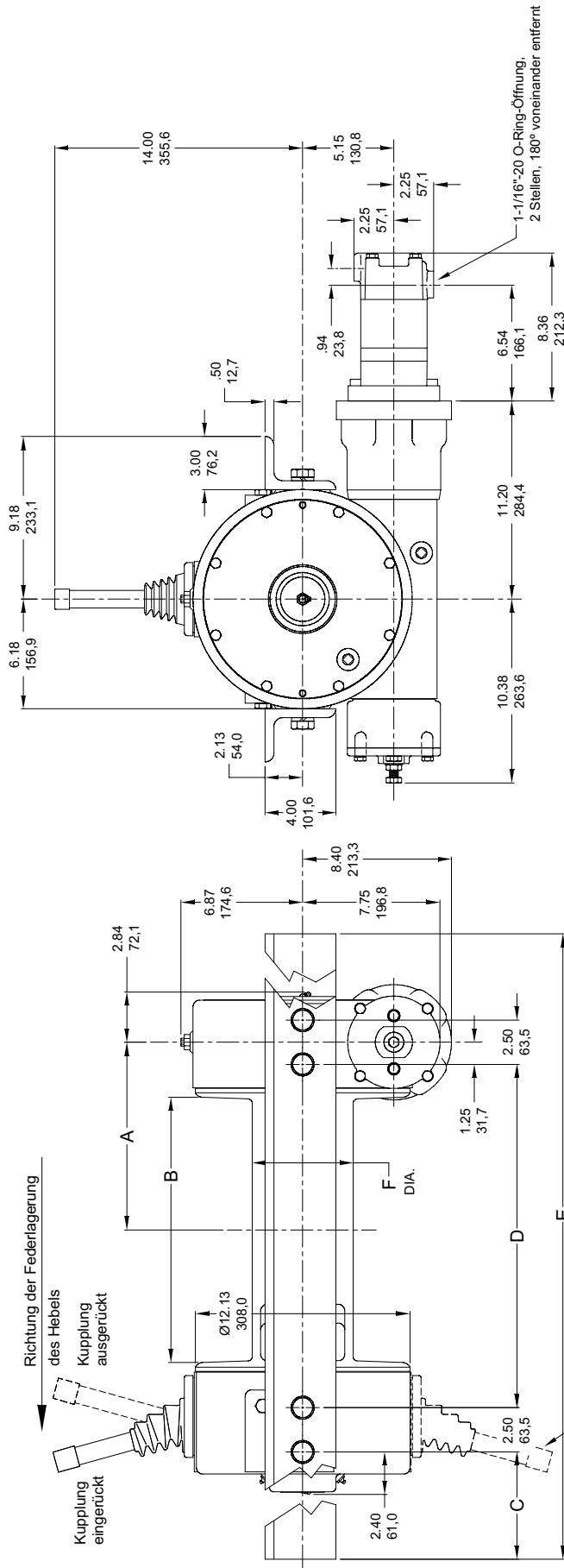
Die Schaltmusterplatte an der Oberseite des Kupplungsgehäuses wurde werkseitig eingestellt, um eine zuverlässige Schaltung der Dow-Lok® Kupplung zu gewährleisten. Sollte sich die Platte lösen oder entfernt werden müssen, ist eine erneute Einstellung der Platte erforderlich. Dazu den Kupplungshebel ausrücken

und gegen den internen Anschlag gedrückt halten. Während sich die Sperrstifte in den Ausrückschlitzen (OUT) befinden, die Schaltmusterplatte in Richtung Seiltrommel schieben. Den Kunststoffhebel aus der Platte drücken. Die vier Kopfschrauben, mit denen die Platte am Gehäuse befestigt ist, festziehen. Die Hebelabdeckung wieder um die Schaltmusterplatte herum aufdrücken.



MODELL H-800 DOW-LOK® H-800 / HY-800

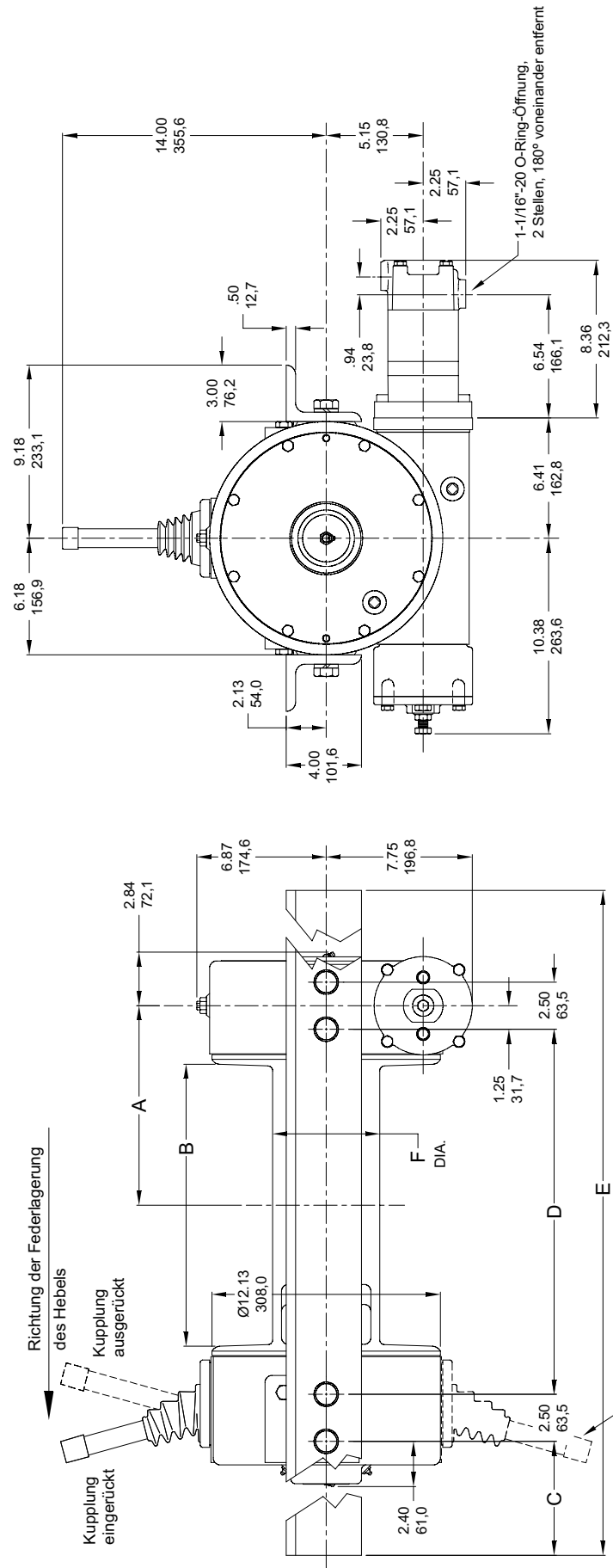
WINDE MODELL	A ZOLL MM	B ZOLL MM	C ZOLL MM	D ZOLL MM	E ZOLL MM	F ZOLL MM
H-800	10.62 269,7	15.00 381,0	13.81 350,7	19.38 492,2	52.00 1320,8	5.69 144,5
HY-800	7.75 196,8	9.44 239,8	13.68 347,4	13.63 346,2	46.00 1168,4	5.50 139,7



Maßangaben in Millimeter

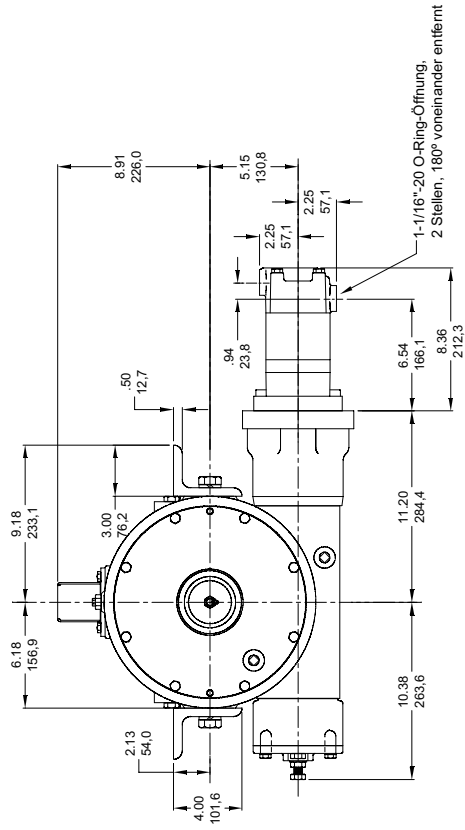
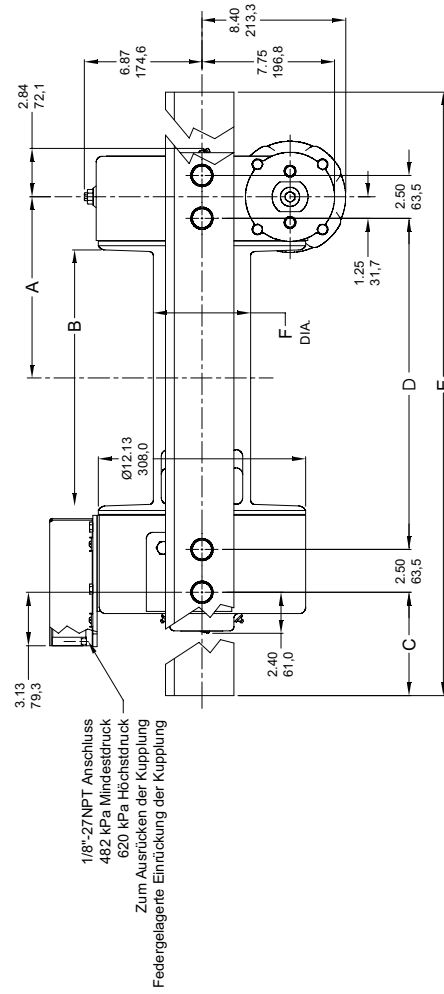
MODELL H-800SC DOW-LOK® (kurze Kupplung)

WINDE MODELL	A ZOLL MM	B ZOLL MM	C ZOLL MM	D ZOLL MM	E ZOLL MM	F ZOLL MM
H-800	10.62 269,7	15.00 381,0	13.81 350,7	19.38 492,2	52.00 1320,8	5.69 144,5
HY-800	7.75 196,8	9.44 239,8	13.68 347,4	13.63 346,2	46.00 1168,4	5.50 139,7

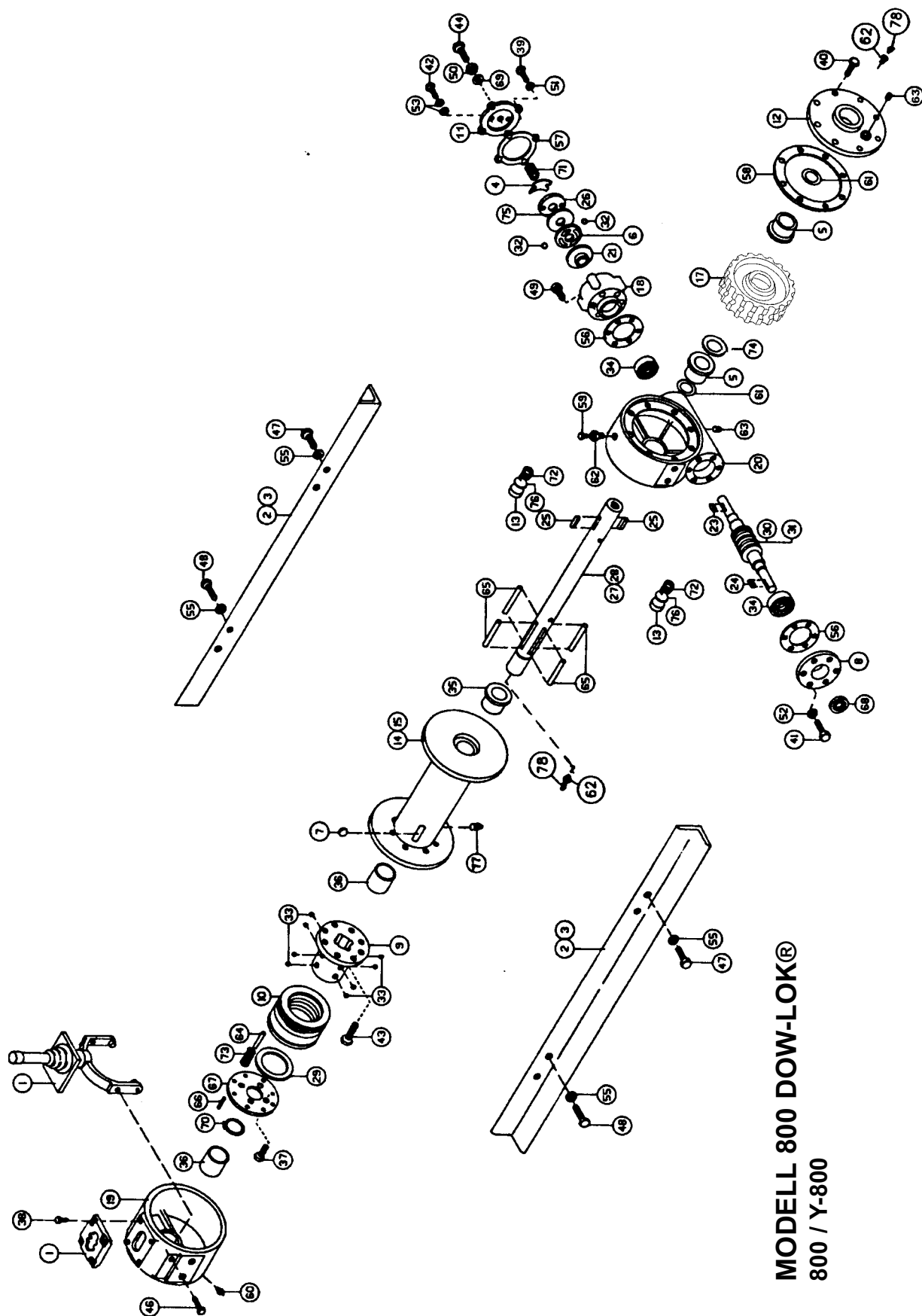


MODELL H-800 DOW-LOK® MIT PNEUMATISCHEM KUPPLUNGSEBEL

WINDE MODELL	A ZOLL MMI	B ZOLL MMI	C ZOLL MMI	D ZOLL MMI	E ZOLL MMI	F ZOLL MMI
H-800	10.62 269.7	15.00 381.0	13.81 350.7	19.38 492.2	52.00 1320.8	5.69 144.5
HY-800	7.75 196.8	9.44 239.8	13.68 347.4	13.63 346.2	46.00 1168.4	5.50 139.7



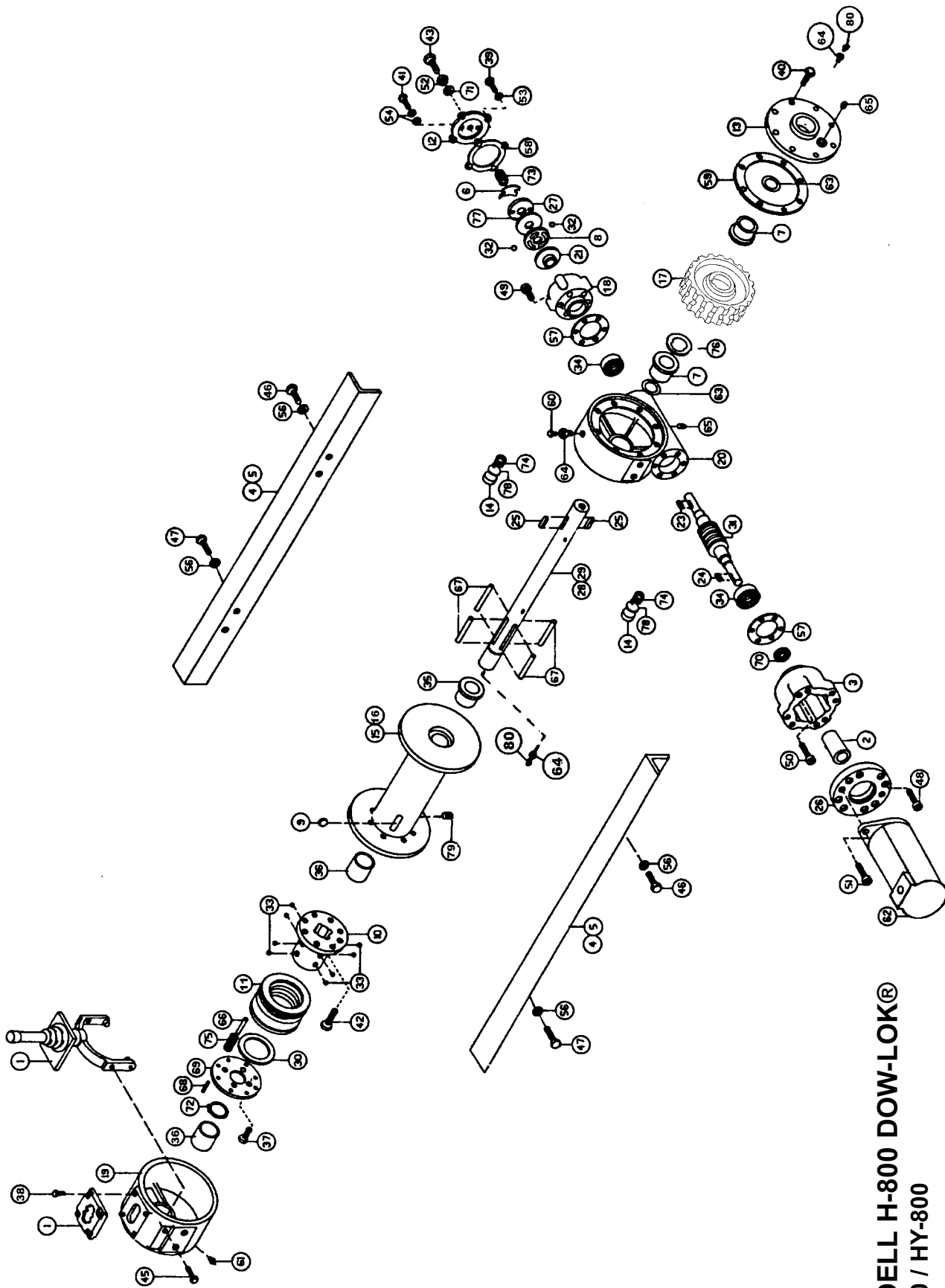
Maßangaben in Millimeter



MODELL 800 DOW-LOK®
800 / Y-800

TEILELISTE MODELL 800 DOW-LOK®

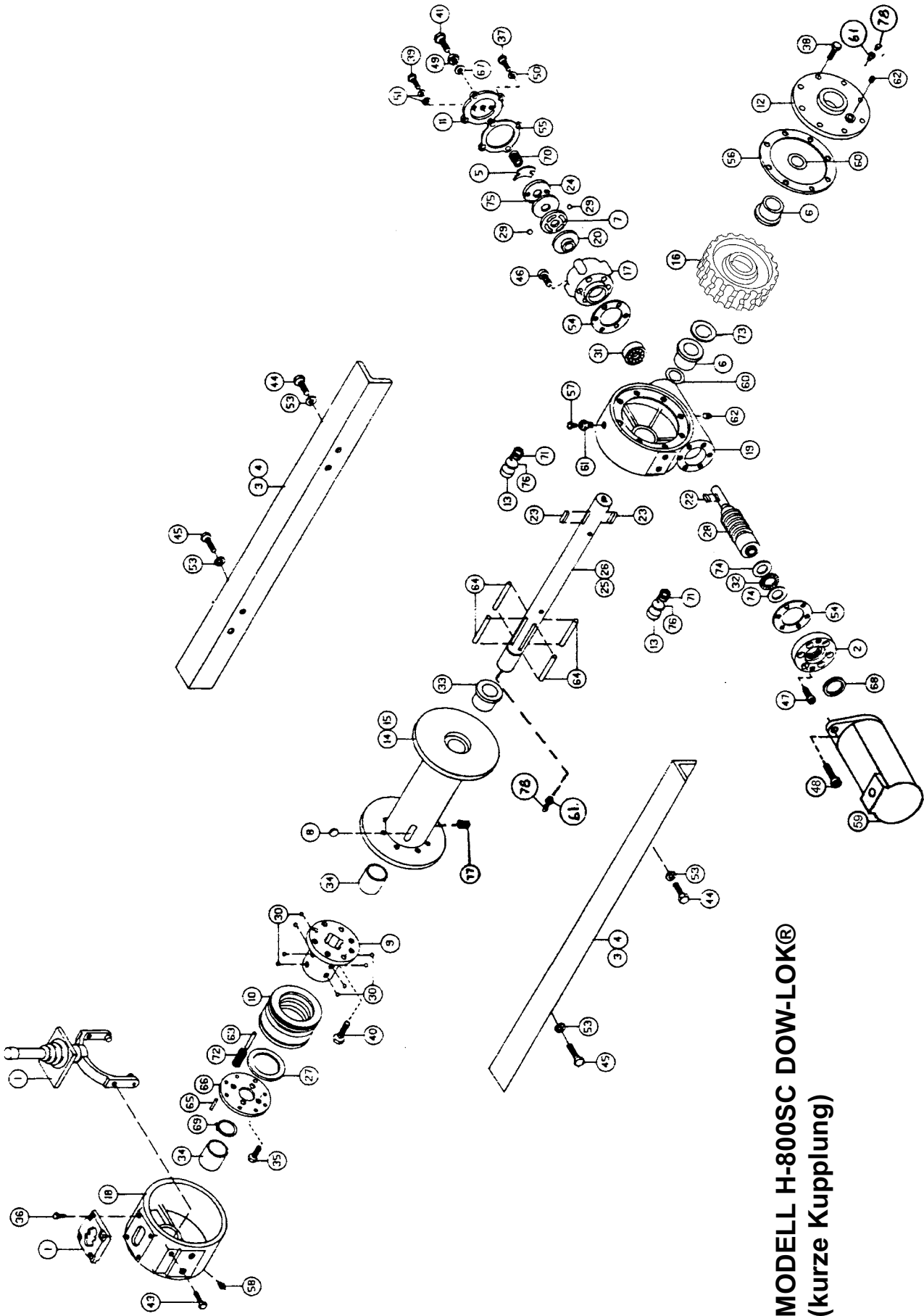
Lfd. Nr.	Erf.	Art.-Nr.	Beschreibung
1	1	276033	KUPPLUNGSHABEL, KOMPLETT
2	2	302093	WINKEL - "Y"
3	2	302111	WINKEL - STD
4	1	306035	FEDER - FLACH
5	2	308083	BUCHSE
6	1	314007	NOCKENSCHLEIBE
7	1	314010	SEILANKER (STD NUR TROMMEL)
8	1	316006	LAGERDECKEL
9	1	324151	KUPPLUNG
10	1	324318	SICHERUNGSRING
11	1	328027	ABDECKUNG - BREMSE
12	1	328122	ABDECKUNG - GETRIEBEKASTEN
13	2	330010	BREMSSCHUH - TROMMELBREMSE
14	1	332167	TROMMEL (STD)
15	1	332172	TROMMEL ("Y")
16	1	334189	ZAHNRAD - linksdrehend
17	1	334188	ZAHNRAD - rechtsdrehend
18	1	338221	GEHÄUSE - BREMSE
19	1	338235	GEHÄUSE - KUPPLUNG
20	1	338242	GETRIEBEKASTEN
21	1	340011	NABE - BREMSE
23	1	342053	KEIL
24	1	342092	KEIL
25	2	342153	KEIL
26	1	352021	RÜCKHALTEPLATTE
27	1	357498	WELLE - TROMMEL (STD)
28	1	357502	WELLE - TROMMEL ("Y")
29	1	362224	ABSTANDHALTER
30	1	368082	SCHNECKE - rechtsdrehend
31	1	368084	SCHNECKE - linksdrehend
32	2	400007	KUGEL - BREMSE
33	8	400011	KUGEL - KUPPLUNG
34	2	402045	KUGELLAGER
35	1	412051	BUCHSE
36	2	412052	BUCHSE
37	4	414038	KOPFSCHRAUBE - 1/4"-20NC x 19 mm lang, Sechskant, Sorte 5
38	4	414069	KOPFSCHRAUBE - 5/16"-18NC x 19 mm lang, Sechskant
39	4	414111	KOPFSCHRAUBE - 5/15"-18NC x 25 mm lang, Sechskant, Sorte 5
40	8	414277	KOPFSCHRAUBE - 3/8"-16NC x 25 mm lang, Sechskant, Sorte 5, NYLOK™
41	6	414282	KOPFSCHRAUBE - 3/8"-16NC x 32 mm lang, Sechskant, Sorte 5
42	2	414399	KOPFSCHRAUBE - 3/8"-24NF x 32 mm lang, Vollgewinde, Sorte 5
43	8	414571	KOPFSCHRAUBE - 1/2"-20NF x 25 mm lang, Sechskant, Sorte 5
44	1	414603	KOPFSCHRAUBE - 1/2"-20NF x 44 mm lang, Vollgewinde, Sorte 5
46	2	414619	KOPFSCHRAUBE - 1/2"-13NC x 63 mm lang, Sechskant, Vollgewinde, Zink
47	4	414751	KOPFSCHRAUBE - 3/4"-10NC x 44 mm lang, Sorte 5, NYLOK™
48	4	414777	KOPFSCHRAUBE - 3/4"-10NC x 44 mm lang, Sorte 5
49	6	414897	KOPFSCHRAUBE - 3/8"-16NC x 25 mm lang, Inbus
50	1	418067	MUTTER, 1/2"-20NF, SECHSKANT, GEGENMUTTER
51	4	418163	SICHERUNGSSCHLEIBE, 5/16", GETEILT, Zink
52	6	418177	SICHERUNGSSCHLEIBE, 3/8", GETEILT, Zink
53	4	418184	UNTERLEGSCHLEIBE 3/8", Alu
55	8	418249	SICHERUNGSSCHLEIBE, 3/4", GETEILT
56	2	442192	DICHTRING
57	1	442194	DICHTRING
58	1	442195	DICHTRING
59	1	456008	ÜBERDRUCKVENTIL
60	1	456031	SCHMIERNIPPEL
61	2	462013	VIERLIPPENDICHTUNG
62	3	468002	REDUZIERSTÜCK
63	2	468011	ROHRSTOPFEN
64	4	470042	SPANNSTIFT
65	4	470044	ZAPFEN
66	4	470056	SPANNSTIFT
67	1	474030	RÜCKHALTEPLATTE
68	1	486068	ÖLDICHTUNG
69	1	486076	GEWINDEDICHTUNG
70	1	490025	SICHERUNGSRING
71	1	494010	FEDER
72	2	494022	FEDER - SCHEIBE
73	4	494069	FEDER
74	1	518016	ANLAUFSCHLEIBE
75	1	530007	SCHLEIBE - BREMSE
76	2	530094	ABSTANDHALTER - BREMSE
77	1	416059	STELLSCHRAUBE (NUR Y TROMMEL)
78	2	456039	SCHMIERNIPPEL



MODELL H-800 DOW-LOK®
H-800 / HY-800

TEILELISTE MODELL H-800 DOW-LOK®

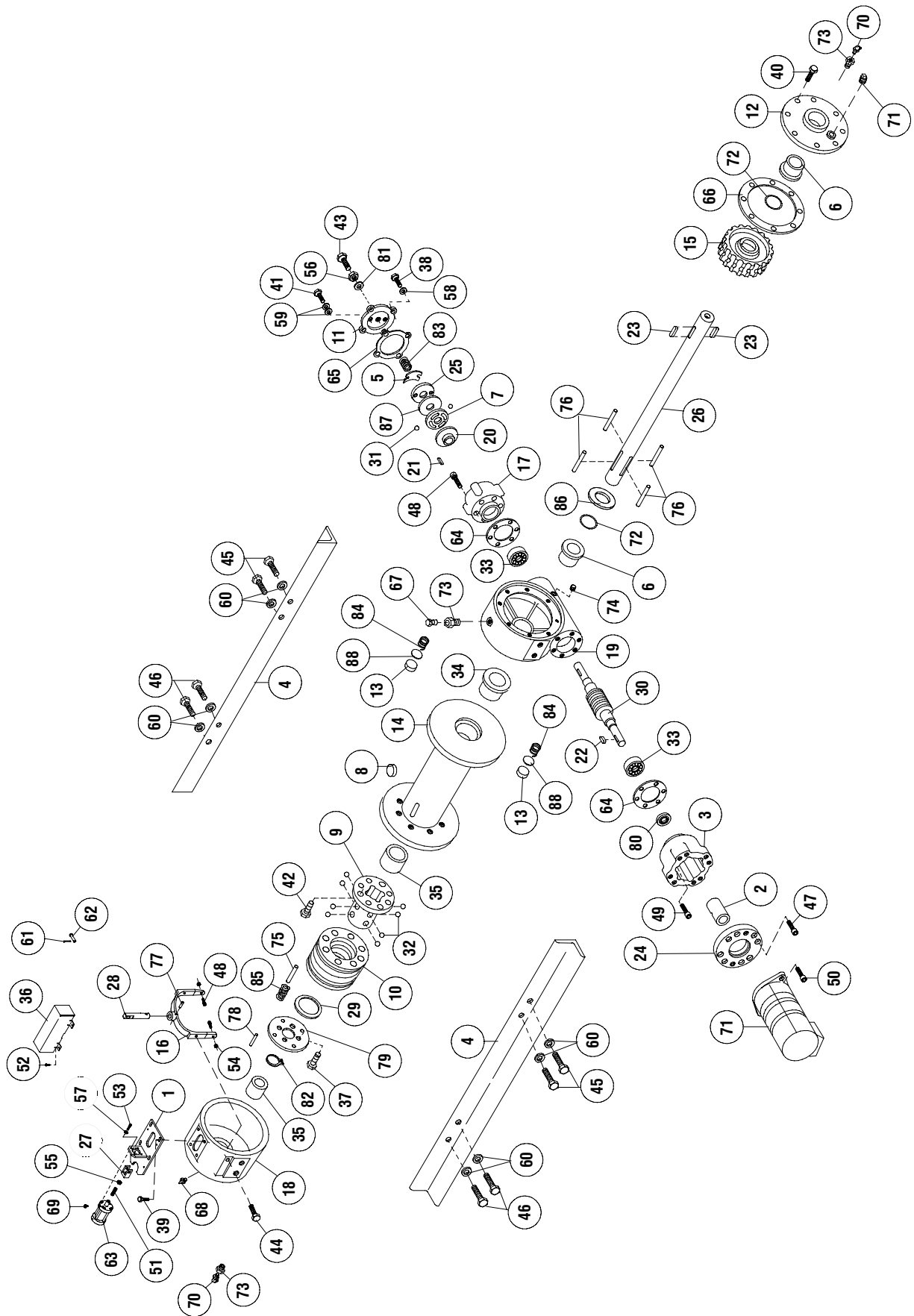
Lfd. Nr.	Erf.	Art.-Nr.	Beschreibung
1	1	276033	KUPPLUNGSHABEL, KOMPLETT
2	1	299733	KUPPLUNGSBAUGRUPPE
3	1	300048	ADAPTER
4	2	302093	WINKEL - "Y"
5	2	302111	WINKEL - STD
6	1	306035	FEDER - FLACH
7	2	308083	BUCHSE
8	1	314007	NOCKENSCHLEIBE
9	1	314010	SEILANKER (STD NUR TROMMEL)
10	1	324151	KUPPLUNG
11	1	324318	SICHERUNGSRING
12	1	328027	ABDECKUNG - BREMSE
13	1	328122	ABDECKUNG - GETRIEBEKASTEN
14	2	330010	BREMSSCHUH - TROMMELBREMSE
15	1	332167	TROMMEL (STD)
16	1	332172	TROMMEL ("Y")
17	1	334188	ZAHNRAD - rechtsdrehend
18	1	338221	GEHÄUSE - BREMSE
19	1	338235	GEHÄUSE - KUPPLUNG
20	1	338242	GETRIEBEKASTEN
21	1	340011	NABE - BREMSE
23	1	342053	KEIL
24	1	342092	KEIL
25	2	342153	KEIL
26	1	350535	PLATTE - HYDR. ADAPTER
27	1	352021	RÜCKHALTEPLATTE
28	1	357498	WELLE - TROMMEL (STD)
29	1	357502	WELLE - TROMMEL ("Y")
30	1	362224	ABSTANDHALTER
31	1	368082	SCHNECKE, rechtsdrehend
32	2	400007	KUGEL - KUPPLUNG
33	8	400011	BALL - CLUTCH
34	2	402045	KUGELLAGER
35	1	412051	BUCHSE
36	2	412052	BUCHSE
37	4	414038	KOPFSCHRAUBE - 1/4"-20NC x 19 mm lang, Sechskant, Sorte 5
38	4	414069	KOPFSCHRAUBE - 5/16"-18NC x 19 mm lang, Sechskant
39	4	414111	KOPFSCHRAUBE - 5/16"-18NC x 25 mm lang, Sechskant, Sorte 5
40	8	414277	KOPFSCHRAUBE - 3/8"-16NC x 25 mm lang, Sechskant, Sorte 5, NYLOK™
41	2	414399	KOPFSCHRAUBE - 3/8"-24NF x 32 mm lang, Vollgewinde, Sorte 5
42	8	414571	KOPFSCHRAUBE - 1/2"-20NF x 25 mm lang, Sechskant, Sorte 5
43	1	414603	KOPFSCHRAUBE - 1/2"-20NF x 44 mm lang, Vollgewinde, Sorte 5
45	2	414619	KOPFSCHRAUBE - 1/2"-13NC x 63 mm lang, Sechskant, Vollgewinde, Zink
46	4	414751	KOPFSCHRAUBE - 3/4"-10NC x 44 mm lang, Sorte 5, NYLOK™
47	4	414777	KOPFSCHRAUBE - 3/4"-10NC x 44 mm lang, Sorte 5
48	8	414871	KOPFSCHRAUBE - 5/16"-18NC x 32 mm lang, Inbus, LOK-WEL™
49	6	414897	KOPFSCHRAUBE - 3/8"-16NC x 25 mm lang, Inbus
50	6	414909	KOPFSCHRAUBE - 3/8"-16NC x 44 mm lang, Inbus, LOK-WEL™
51	2	414950	KOPFSCHRAUBE - 1/2"-13NC x 44 mm lang, Inbus, LOK-WEL™
52	1	418067	MUTTER, 1/2"-20NF, SECHSKANT, GEGENMUTTER
53	4	418163	SICHERUNGSSCHLEIBE, 3/4", GETEILT
54	4	418184	UNTERLEGSCHLEIBE 3/8", Alu
56	8	418249	SICHERUNGSSCHLEIBE, 3/4", GETEILT
57	2	442192	DICHTRING
58	1	442194	DICHTRING
59	1	442195	DICHTRING
60	1	456008	ÜBERDRUCKVENTIL
61	1	456031	SCHMIERNIPPEL
62	1	458048	MOTOR - HYDR.
63	2	462013	VIERLIPPENDICHTUNG
64	3	468002	REDUZIERSTÜCK
65	2	468011	ROHRSTOPFEN
66	4	470042	SPANNSTIFT
67	4	470044	ZAPFEN
68	4	470056	SPANNSTIFT
69	1	474030	RÜCKHALTEPLATTE
70	1	486068	ÖLDICHTUNG
71	1	486076	GEWINDEDICHTUNG
72	1	490025	SICHERUNGSRING
73	1	494010	FEDER
74	2	494022	FEDER - SCHEIBE
75	4	494069	FEDER
76	1	518016	ANLAUFSCHLEIBE
77	1	530007	SCHLEIBE - BREMSE
78	2	530094	ABSTANDHALTER - BREMSE
79	1	416059	STELLSCHRAUBE (NUR Y TROMMEL)
80	2	456039	SCHMIERNIPPEL



MODEL H-800SC DOW-LOK®
(kurze Kupplung)

TEILELISTE MODELL H-800SC DOW-LOK® (kurze Kupplung)

Lfd. Nr.	Erf.	Art.-Nr.	Beschreibung
1	1	276033	KUPPLUNGSHABEL, KOMPLETT
2	1	300048	ADAPTER
3	2	302093	WINKEL - "Y"
4	2	302111	WINKEL - STD
5	1	306035	FEDER - FLACH
6	2	308083	BUCHSE
7	1	314007	NOCKENSCHLEIBE
8	1	314010	SEILANKER (STD NUR TROMMEL)
9	1	324151	KUPPLUNG
10	1	324318	SICHERUNGSRING
11	1	328027	ABDECKUNG - BREMSE
12	1	328122	ABDECKUNG - GETRIEBEKASTEN
13	2	330010	BREMSSCHUH - TROMMELBREMSE
14	1	332167	TROMMEL (STD)
15	1	332172	TROMMEL ("Y")
16	1	334188	ZAHNRAD - rechtsdrehend
17	1	338221	GEHÄUSE - BREMSE
18	1	338235	GEHÄUSE - KUPPLUNG
19	1	338242	GETRIEBEKASTEN
20	1	340011	NABE - BREMSE
22	1	342053	KEIL
23	2	342153	KEIL
24	1	352021	RÜCKHALTEPLATTE
25	1	357498	WELLE - TROMMEL (STD)
26	1	357502	WELLE - TROMMEL ("Y")
27	1	362224	ABSTANDHALTER
28	1	368196	SCHNECKE, rechtsdrehend
29	2	400007	KUGEL - BREMSE
30	8	400011	KUGEL - KUPPLUNG
31	2	402045	KUGELLAGER
32	1	402109	AUSRÜCKLAGER
33	1	412051	BUCHSE
34	2	412052	BUCHSE
35	4	414038	KOPFSCHRAUBE - 1/4"-20NC x 19 mm lang, Sechskant, Sorte 5
36	4	414069	KOPFSCHRAUBE - 5/16"-18NC x 19 mm lang, Sechskant
37	4	414111	KOPFSCHRAUBE - 5/16"-18NC x 25 mm lang, Sechskant, Sorte 5
38	8	414277	KOPFSCHRAUBE - 3/8"-16NC x 25 mm lang, Sechskant, Sorte 5, NYLOK™
39	2	414399	KOPFSCHRAUBE - 3/8"-24NF x 32 mm lang, Vollgewinde, Sorte 5
40	8	414571	KOPFSCHRAUBE - 1/2"-20NF x 25 mm lang, Sechskant, Sorte 5
41	1	414603	KOPFSCHRAUBE - 1/2"-20NF x 44 mm lang, Vollgewinde, Sorte 5
43	2	414619	KOPFSCHRAUBE - 1/2"-13NC x 63 mm lang, Sechskant, Vollgewinde, Zink
44	4	414751	KOPFSCHRAUBE - 3/4"-10NC x 44 mm lang, Sorte 5, NYLOK™
45	4	414777	KOPFSCHRAUBE - 3/4"-10NC x 44 mm lang, Sorte 5
46	6	414897	KOPFSCHRAUBE - 3/8"-16NC x 25 mm lang, Inbus
47	6	414913	KOPFSCHRAUBE - 3/8"-16NC x 32 mm lang, Inbus, LOK-WEL™
48	2	414952	KOPFSCHRAUBE - 1/2"-13NC x 38 mm lang, Inbus, LOK-WEL™
49	1	418067	MUTTER, 1/2"-20NF, SECHSKANT, GEGENMUTTER
50	4	418163	SICHERUNGSSCHLEIBE, 5/16", GETEILT, Zink
51	4	418184	UNTERLEGSCHLEIBE 3/8", Alu
53	8	418249	SICHERUNGSSCHLEIBE, 3/4", GETEILT
54	2	442192	DICHTRING
55	1	442194	DICHTRING
56	1	442195	DICHTRING
57	1	456008	ÜBERDRUCKVENTIL
58	1	456031	SCHMIERNIPPEL
59	1	458048	MOTOR - HYDR.
60	2	462013	VIERLIPPENDICHTUNG
61	3	468002	REDUZIERSTÜCK
62	2	468011	ROHRSTOPFEN
63	4	470042	SPANNSTIFT
64	4	470044	ZAPFEN
65	4	470056	SPANNSTIFT
66	1	474030	RÜCKHALTEPLATTE
67	1	486076	GEWINDEDICHTUNG
68	1	486079	DICHTUNG - ADAPTER
69	1	490025	SICHERUNGSRING
70	1	494010	FEDER
71	2	494022	FEDER - SCHLEIBE
72	4	494069	FEDER
73	1	518016	ANLAUFSCHLEIBE
74	2	518036	ANLAUFSCHLEIBE
75	1	530007	SCHLEIBE - BREMSE
76	2	530094	ABSTANDHALTER - BREMSE
77	1	416059	STELLSCHRAUBE (NUR Y TROMMEL)
78	2	456039	SCHMIERNIPPEL



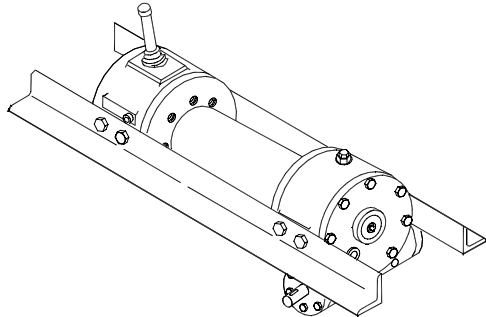
**MODELL H-800 DOW-LOK®
MIT PNEUMATISCHEM KUPPLUNGSHABEL**

TEILELISTE MODELL H-800 DOW-LOK® MIT PNEUMATISCHEM KUPPLUNGSHABEL

Lfd. Nr.	Erf.	Art.-Nr.	Beschreibung
1	1	299695	HALTERUNG DER PNEUM. KUPPLUNGSHABEL-BAUGRUPPE
2	1	299733	KUPPLUNGSBAUGRUPPE
3	1	300048	ADAPTER
4	2	302093	WINKEL - "Y"
	2	302111	WINKEL - STD
5	1	306035	FEDER - FLACH
6	2	308083	BUCHSE
7	1	314007	NOCKENSCHLEIBE
8	1	314010	SEILANKER (STD NUR TROMMEL)
	1	416059	STELLSCHRAUBE (NUR Y TROMMEL)
9	1	324151	KUPPLUNG
10	1	324318	SICHERUNGSRING
11	1	328027	ABDECKUNG - BREMSE
12	1	328122	ABDECKUNG - GETRIEBEKASTEN
13	2	330010	BREMSSCHUH - TROMMELBREMSE
14	1	332167	TROMMEL (STD)
	1	332172	TROMMEL ("Y")
15	1	334188	ZAHNRAD - rechtsdrehend
16	1	370047	GABELKOPF
17	1	338221	GEHÄUSE - BREMSE
18	1	338235	GEHÄUSE - KUPPLUNG
19	1	338242	GETRIEBEKASTEN
20	1	340011	NABE - BREMSE
21	1	342053	KEIL
22	1	342092	KEIL
23	2	342153	KEIL
24	1	350535	PLATTE - HYDR. ADAPTER
25	1	352021	RÜCKHALTEPLATTE
26	1	357498	WELLE - TROMMEL (STD)
	1	357502	WELLE - TROMMEL ("Y")
27	1	358067	LASTÖSEN BOLZEN
28	1	358069	KUPPLUNGSHABELWELLE
29	1	362224	ABSTANDHALTER
30	1	368082	SCHNECKE, rechtsdrehend
31	2	400007	KUGEL - BREMSE
32	8	400011	KUGEL - KUPPLUNG
33	2	402045	KUGELLAGER
34	1	412051	BUCHSE
35	2	412052	BUCHSE
36	1	413074	ABDECKUNG - PNEUM. KUPPLUNGSHABEL
37	4	414038	KOPFSCHRAUBE - 1/4"-20NC x 19 mm lang, Sechskant, Sorte 5
38	4	414111	KOPFSCHRAUBE - 5/16"-18NC x 25 mm lang, Sechskant, Sorte 5
39	4	414126	KOPFSCHRAUBE - 5/16"-18NC x 19 mm lang, Sechskant
40	8	414277	KOPFSCHRAUBE - 3/8"-16NC x 25 mm lang, Sechskant, Sorte 5, NYLOK™
41	2	414399	KOPFSCHRAUBE - 3/8"-24NF x 32 mm lang, Vollgewinde, Sorte 5
42	8	414571	KOPFSCHRAUBE - 1/2"-20NF x 25 mm lang, Sechskant, Sorte 5
43	1	414603	KOPFSCHRAUBE - 1/2"-20NF x 44 mm lang, Vollgewinde, Sorte 5
44	2	414619	KOPFSCHRAUBE - 1/2"-13NC x 63 mm lang, Sechskant, Vollgewinde, Zink
45	4	414751	KOPFSCHRAUBE - 3/4"-10NC x 44 mm lang, Sorte 5, NYLOK™
46	4	414777	KOPFSCHRAUBE - 3/4"-10NC x 44 mm lang, Sorte 5
47	8	414871	KOPFSCHRAUBE - 5/16"-18NC x 32 mm lang, Inbus, LOK-WEL™
48	6	414897	KOPFSCHRAUBE - 3/8"-16NC x 25 mm lang, Inbus
49	6	414909	KOPFSCHRAUBE - 3/8"-16NC x 44 mm lang, Inbus, LOK-WEL™
50	2	414950	KOPFSCHRAUBE - 1/2"-13NC x 44 mm lang, Inbus, LOK-WEL™
51	1	416061	STELLSCHRAUBE - 3/8"-24NF x 32 mm lang
52	4	416214	SCHRAUBE #10-32NF x 6 mm lang, runder Kopf, Zink
53	4	416262	SCHRAUBE #10-32NF x 19 mm lang, Sechskant, Inbus, Zink
54	2	418035	MUTTER 3/8"-16NC, SECHSKANT REG., Zink
55	1	418041	MUTTER, 3/8"-24NF, SECHSKANT, GEGENMUTTER
56	1	418067	MUTTER, 1/2"-20NF, SECHSKANT, GEGENMUTTER
57	4	418141	SICHERUNGSSCHLEIBE, Gr. 10, GETEILT, Zink
58	4	418163	SICHERUNGSSCHLEIBE, 5/16", GETEILT, Zink
59	4	418184	UNTERLEGSCHEIBE 3/8", Alu
60	8	418249	SICHERUNGSSCHLEIBE, 3/4", GETEILT
61	1	424005	SPLINT
62	1	424029	LASTÖSEN BOLZEN
63	1	433016	LUFTZYLINDER
64	2	442192	DICHTRING
65	1	442194	DICHTRING
66	1	442195	DICHTRING
67	1	456008	ÜBERDRUCKVENTIL
68	1	456031	SCHMIERNIPPEL
69	1	456038	ENTLÜFTER
70	2	456039	SCHMIERNIPPEL
71	1	458048	MOTOR - HYDR.
72	2	462013	VIERTLIPPENDICHTUNG
73	3	468002	REDUZIERSTÜCK
74	2	468011	ROHRSTOPFEN
75	4	470042	SPANNSTIFT
76	4	470044	ZAPFEN
77	1	470045	SPANNSTIFT
78	4	470056	SPANNSTIFT
79	1	474030	RÜCKHALTEPLATTE
80	1	486068	ÖLDICHTUNG
81	1	486076	GEWINDEDICHTUNG
82	1	490025	SICHERUNGSRING
83	1	494010	FEDER
84	2	494022	FEDER - SCHEIBE
85	4	494069	FEDER
86	1	518016	ANLAUFSCHEIBE
87	1	530007	SCHEIBE - BREMSE
88	2	530094	ABSTANDHALTER - BREMSE



**MANUAL DE MANTENIMIENTO
 MODEL SERIE 800/MODELO SERIE H-800
 CABREANTES INDUSTRIALES
 MONTADOS A PEQUEÑA ALTURA
 EQUIPADOS CON RAM-LOK®**



*ESPECIFICACIONES: cumple con las normas SAE J706**

Tracción De Cable Nominal		(Libras)	20,000				
		(kg)	9,060				
Reducción Del Engranaje			40:1				
Peso De Embarque:		800	Y-800	H-800	HY-800		
		315 lbs. (143 Kg)	290 lbs (132 Kg)	330 lbs. (150 Kg)	325 lbs. (148 Kg)		
Capa De Cable			1	2	3	4	5**
*Tracción De Cable Nominal Por Capa		(lbs.)	20,000	16,600	14,200	12,400	11,000
		(kg)	9,060	7,510	6,430	5,610	4,980
Capacidad Del Cable 800 / H-800		(ft)	35	75	125	180	240
		(m)*	10	22	38	54	72
Capacidad Del Cable Y-800 / HY-800		(ft)	20	45	75	110	150
		(m)*	6	13	22	33	45
*Velocidad Del Cable	RPM Del Engranaje De Tornillo Sinfin						
800	570	FPM	22	27	32	35	40
		MPM	6.6	8.1	9.7	10.9	12.3
H-800	460 30 GPM	FPM	18	22	26	29	33
		MPM	5.4	6.6	7.9	8.8	10.0

* Estas especificaciones se basan en el cable metálico recomendado de cable de acero más resistente y extra mejorado de 6 x 19 con un diámetro de 16 mm.

** La quinta capa no cumple con SAE J706

Nota: Las tracciones en el cable nominales indicadas son solamente para el cabestrante. Consultar con el fabricante del cable metálico para obtener las especificaciones del mismo.

Enhorabuena

Los Cabestrantes Ramsey están diseñados y contruidos según especificaciones rigurosas. Ponemos un gran cuidado y experiencia en todos los cabestrantes que fabricamos. Si surgiera la necesidad, el procedimiento de la garantía está descrito al dorso de la tarjeta de garantía con franqueo pagado y con la dirección escrita. Leer y rellenar la tarjeta de la garantía adjunta y enviarla a Ramsey Winch Company. Si hubiera algún problema con el cabestrante, seguir las instrucciones para una reparación inmediata en todas las reclamaciones de garantía. Consultar en la contraportada la garantía limitada.



PRECAUCIÓN: LEER Y ENTENDER ESTE MANUAL ANTES DE INSTALAR Y OPERAR EL CABESTRANTE. ¡VER LAS SALVAGUARDIAS Y ADVERTENCIAS!

<p>Ramsey Winch Company P.O. Box 581510 - Tulsa, OK 74158-1510 USA Phone: (918) 438-2760 - Fax (918) 438-6688 http://www.ramsey.com</p>

CONTENIDO

INTRODUCCIÓN	76
ESPECIFICACIÓN	76
ADVERTENCIAS	78
TÉCNICAS DE FUNCIONAMIENTO	78
MONTAJE DEL CABESTRANTE	79
INSTALACIÓN DEL CABLE	79
MANTENIMIENTO DEL CABESTRANTE	79
SISTEMAS HIDRÁULICOS/GRÁFICOS DE FUNCIONAMIENTO	80
DISPOSICIÓN TÍPICA/DIAGRAMA DEL SISTEMA HIDRÁULICO	80
GUÍA DE SOLUCIÓN DE PROBLEMAS	81
AJUSTE DEL CAMBIO NEUMÁTICO DEL EMBRAGUE	81
AJUSTE DEL FRENO DE SEGURIDAD ENFRIADO POR ACEITE	82
REPARACIÓN DEL FRENO DE SEGURIDAD ENFRIADO POR ACEITE	82
MONTAR DE NUEVO EL FRENO Y COMPROBARLO	83
PRUEBA DEL MONTAJE CORRECTO DEL FRENO	83
INSTRUCCIONES PARA COMPROBAR EL MONTAJE Y EL POSICIONAMIENTO DEL FRENO DE ENGRANAJE DE TORNILLO SINFIN	83
INSTRUCCIONES PARA VERIFICAR LOS CABESTRANTES MODELO SERIE 800/H-800 RAM-LOK® DE RAMSEY	
DESMONTAJE	84-86
REMONTAJE	86-88
DIBUJO ACOTADO	89-92
LISTA DE PIEZAS Y DIBUJO DE PIEZAS	93-100

GARANTÍA LIMITADA

RAMSEY WINCH garantiza que cada Cabestrante nuevo RAMSEY carecerá de defectos en componentes y mano de obra durante el período de un (1) año desde la fecha de compra. La obligación bajo esta garantía, estatutaria o no, está limitada a la sustitución o reparación en la fábrica del Fabricante, o en otro sitio designado por el Fabricante, de la pieza que el Fabricante considere, después de examinarla, que está defectuosa en componentes o fabricación.

Esta garantía no obliga a RAMSEY WINCH a pagar el coste de la mano de obra ni los cargos de transporte incurridos en la sustitución o reparación de las piezas defectuosas; ni tampoco corresponde a un producto que se haya reparado o modificado, a menos que haya sido autorizado por el Fabricante; ni al equipo maltratado, estropeado o que no se haya instalado correctamente.

RAMSEY WINCH no será en ningún caso responsable por los daños especiales o indirectos. RAMSEY WINCH no garantiza los accesorios que están sujetos a las garantías de sus fabricantes respectivos. RAMSEY WINCH, cuya política es de la mejora continua, se reserva el derecho de mejorar sus productos mediante cambios en el diseño o materiales, según considere deseable, sin estar obligada a incorporar dichos cambios en los productos fabricados con anterioridad.

Si se repara el producto en poder del Comprador y se descubre que la avería encontrada no corresponde al producto de RAMSEY WINCH, el Comprador tendrá que pagar el tiempo y gastos del representante.

No se aceptarán las facturas de reparación, mano de obra u otros gastos en los que haya incurrido el Comprador sin la autorización de RAMSEY WINCH.

Ver la tarjeta de la garantía para más información.



Precauciones De Seguridad Para Protegerse Contra Posibles Lesiones

- A. El embrague debe estar totalmente engranado antes de comenzar la operación de tracción.
- B. No desengranar el embrague bajo carga.
- C. No acercarse a las cargas elevadas.
- D. No acercarse al cable cuando esté tirando. No intentar guiar el cable.
- E. No exceder la tracción nominal máxima del cable indicada en las especificaciones.
- F. No utilizar el cabestrante para levantar, sujetar o transportar a personas.
- G. Para sujetar la carga se necesita un mínimo de 5 vueltas de cable alrededor del cuerpo del tambor. La mordaza del cable no está diseñada para sujetar la carga.

TÉCNICAS DE FUNCIONAMIENTO

La mejor manera de familiarizarse con el funcionamiento del cabestrante es hacer pruebas de funcionamiento antes de utilizarlo. Planear la prueba con antelación. Téngase en cuenta que el cabestrante se puede oír, al igual que se puede ver cómo funciona. Hay que acostumbrarse a reconocer los sonidos de una tracción ligera y continua, una tracción pesada, y el sonido producido por la sacudida o desplazamiento de la carga. Al ganar confianza en el manejo del cabestrante su empleo se hará con total naturalidad.

El enrollado desigual del cable, mientras se está tirando de una carga, no es un problema, a menos que se produzca un apilamiento de cable en un extremo del tambor. Si esto sucede, invertir el cabestrante para aliviar la carga y alejar el punto de anclaje del centro del vehículo. Una vez acabado el trabajo, se puede desenrollar y rebobinar para que el cable quede bien colocado.

El embrague Dow-Lok® ofrece devanado constante y engranado del embrague con el tambor del cable. Con el embrague desengranado, el cable se puede devanar constantemente del tambor. Para subir la carga, el embrague tiene que estar totalmente engranado con el tambor.

El embrague Dow-Lok® se engancha en la posición "IN" (DENTRO) o en la posición "OUT" (FUERA) mediante un pasador que se encuentra en la parte inferior del asa del cambio, el cual encaja en las ranuras de enganche.

PARA DESENGRANAR EL EMBRAGUE

Hacer funcionar el cabestrante en marcha atrás (bajar) hasta que la carga se desprenda del cable. Sujetar el asa firmemente y empujar sobre la parte superior de la misma con el pulgar para nivelarlo, levantarla hasta que el pasador salga de las ranuras de enganche.

PARA ENGRANAR EL EMBRAGUE

Desenganchar y tirar del asa hacia la posición "IN" todo lo posible. Para conseguir un engranaje total, los elementos internos del embrague deben estar alineados. Esta alineación tendrá lugar cuando el tambor del cable o el eje del tambor del cable gire un máximo de ¼ de revolución. El embrague se engranará automáticamente y el pasador caerá en las ranuras "IN" cuando se complete la alineación. **No intentar levantar una carga a menos que el pasador se encuentre metido totalmente en las ranuras "IN". Alejarse del asa de muelle durante el engranaje automático.**

PARA DESENGRANAR EL EMBRAGUE

Desenganchar el asa y empujarla a la posición "OUT", insertar el pasador totalmente en las ranuras de enganche. **No desengranar el embrague en condiciones de carga.**

El embrague de cambio neumático Dow-Lok® ofrece devanado constante y engranado del embrague con el tambor del cable. Con el embrague desengranado, el cable se puede devanar constantemente del tambor. Para subir la carga, el embrague debe estar totalmente engranado con el tambor.

PARA ENGRANAR EL EMBRAGUE

Debe haber un mínimo de 0,33 m de huelgo en el cable antes de intentar engranar el embrague. Esto hará que el tambor gire un mínimo de ¼ de vuelta permitiendo el engranado del embrague antes de recoger la carga. Con este huelgo en el cable, dejar salir la presión de aire del cilindro de aire del cambio. Hacer funcionar el cabestrante en la dirección "IN" hasta que empiece a girar el embrague. **El embrague debe estar totalmente engranado antes de comenzar el funcionamiento del cabestrante.**

PARA DESENGRANAR EL EMBRAGUE

Hacer funcionar el cabestrante en la dirección "OUT" hasta que la carga se desprenda del cable. Aplicar 480-620 KPa en el cilindro de aire del cambio para desengranar el embrague. **No desengranar el embrague en condiciones de carga.**

MONTAJE DEL CABESTRANTE

Es de suma importancia que este cabestrante se monte firmemente de forma que las tres secciones principales (el extremo del cárter del embrague, el tambor del cable y el extremo de la caja de engranajes) queden alineadas correctamente.

Todos los Cabestrantes estándar Serie H-800 Dow-Lok® se suministran con las escuadras de montaje recomendadas. El tamaño de la escuadra es de 12 mm x 76 mm x 101 mm y está hecha de acero de gran resistencia.

INSTALACIÓN DEL CABLE

El cabestrante Ramsey Modelo H-800 “Dow-Lok”® tiene dos receptáculos cónicos dentro del tambor. Uno de los receptáculos es para instalaciones con el cable metálico enrollado en el tambor. El otro receptáculo es para el cable metálico desenrollado.

1. Deslizar el cable metálico a través del extremo estrecho del receptáculo junto al reborde del tambor.
2. Enrollar el cable metálico alrededor del retenedor, tirar de aquél y anclarlo de vuelta en el extremo ancho del receptáculo.
3. Emplear un martillo blando para dirigir el lado posterior del cable metálico, asentando éste último y el anclaje firmemente en el receptáculo. El cable metálico se puede retirar fácilmente del tambor dirigiendo el anclaje fuera del extremo ancho del receptáculo.

El cabestrante Ramsey Modelo Y-800/HY-800 (tambor “Y”) “Dow-Lok”® tiene un tornillo fijador para fijar el cable al tambor.

1. Insertar el extremo del cable, opuesto al extremo del gancho, en el agujero de 17 mm de diámetro del cuerpo del tambor. Fijar el cable al cuerpo del tambor utilizando el tornillo fijador provisto con el cabestrante. APRETAR FIRMEMENTE EL TORNILLO FIJADOR.
2. Manteniendo la tensión en el extremo del cable, hacer funcionar con cuidado el cabestrante en la dirección de “subida” y devanar todo el cable en el tambor del cable, teniendo cuidado de formar capas bien envueltas.

MANTENIMIENTO DEL CABESTRANTE

Adhering to the following maintenance schedule will keep your winch in top condition and performing as it should with a minimum of repair.

A. SEMANALMENTE

1. Comprobar el nivel de aceite y mantenerlo hasta el tapón del nivel del aceite. Si existe una fuga de aceite, determinar la ubicación y reparar.
2. Comprobar el regulador de descompresión en la parte superior de la caja del engranaje. Asegurarse de que esté en buenas condiciones de funcionamiento para que los gases del aceite caliente puedan escapar.
3. Lubricar el cable con aceite ligero.

B. MENSUALMENTE

1. Lubricar los diferentes conectores de engrase ubicados en el tambor del cable, soporte final, cárter del embrague o en el acoplamiento de accionamiento del embrague. Es aceptable cualquier grasa de buena calidad o que contenga bisulfuro de molibdeno.
2. Comprobar el funcionamiento del embrague, asegurándose de que se engrana y desengrana totalmente con el tambor del cable. Retirar el tapón de plástico de la parte superior del cárter y observar si el embrague está totalmente engranado. Si el embrague no está totalmente engranado, inspeccionar las piezas del conjunto del cambiador del embrague, mirar si están excesivamente dañadas o desgastadas en exceso y, si es necesario, cambiarlas. Observar las mordazas del embrague y del tambor del cable, comprobando si las caras activas presentan redondeces. Si se han producido redondeces, habrá que reemplazarlas inmediatamente.
3. En el caso de los embragues Dow-Lok®, comprobar la acción del anillo sujetador. Asegurarse de que esté cargado con el muelle y libre para moverse contra el tambor del cable en la posición de engranado y que cuando está desengranado esté totalmente alejado del tambor del cable y enganchado.
4. Comprobar los pernos de montaje del cabestrante. Si falta alguno, ponerlos y apretar firmemente los que estén flojos. Asegurarse de utilizar solamente pernos de clase 5 o mejores.
5. Comprobar el par torsor del freno helicoidal enfriado por aceite. Hacer todos los ajustes necesarios, seguir el procedimiento AJUSTAR EL FRENO HELICOIDAL ENFRIADO POR ACEITE descrito en el Manual del propietario.
6. Comprobar la alineación de la cadena y las ruedas dentadas y ajustar según sea necesario para reducir el desgaste al mínimo.
7. Inspeccionar el cable. Si el cable se deshilacha con hilos rotos, cambiarlo inmediatamente.

C. ANUALMENTE

1. Purgar el aceite del cabestrante anualmente o más a menudo si éste se utiliza con frecuencia.
2. Llenar con keroseno limpio el cabestrante hasta el tapón del nivel de aceite. Hacer funcionar el cabestrante durante unos minutos sin carga en la dirección de subida con el carretel. Purgar el keroseno del cabestrante.
3. Volver a llenar el cabestrante hasta el tapón del nivel de aceite con aceite para engranajes universal E.P. 140.
4. Inspeccionar el armazón y la estructura circundante en busca de grietas o deformaciones.
5. Se puede calcular el desgaste del engranaje moviendo el tambor de un lado a otro y, si es necesario, se puede purgar el aceite y retirar la tapa para inspeccionarlo de cerca.

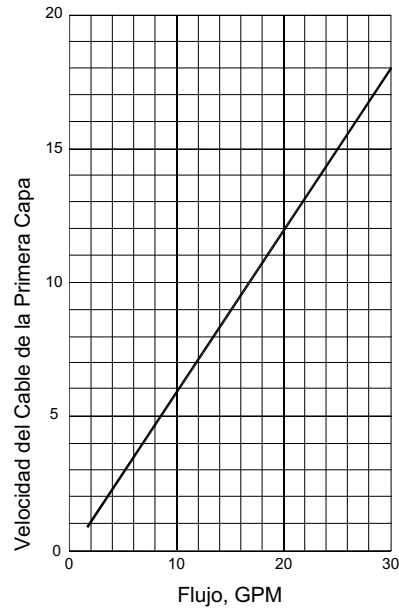
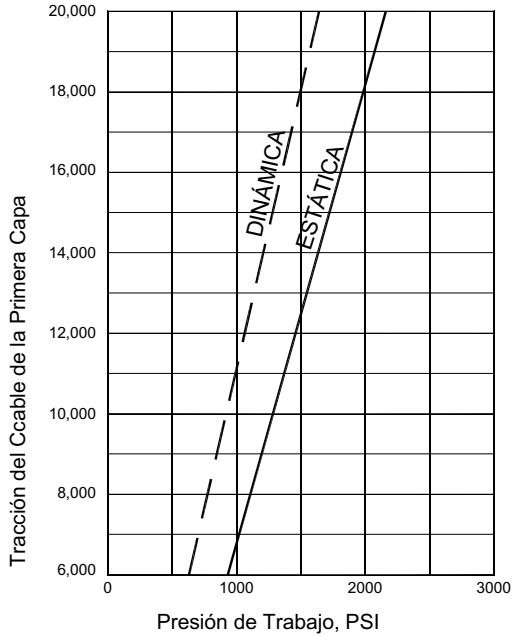
REQUISITOS DEL SISTEMA HIDRÁULICO

Consultar las gráficas de funcionamiento a continuación para comparar correctamente el sistema hidráulico con el funcionamiento del cabestrante H-800 Dow-Lok®. Las gráficas consisten en:

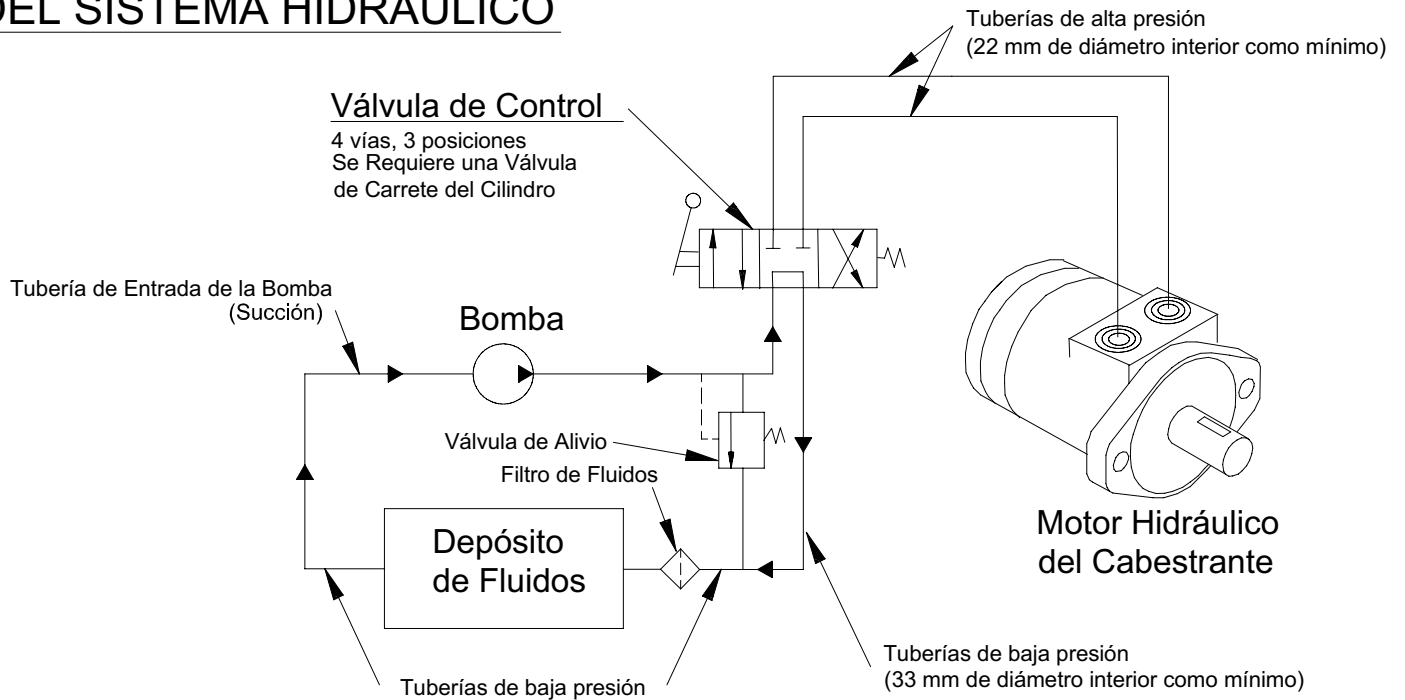
1. Tracción del cable (libras) de la primera capa en función de la presión de trabajo (P.S.I.). ESTÁTICA (línea continua) se refiere a la elevación de una carga suspendida; DINÁMICA (línea discontinua) se refiere a mantener el movimiento de una carga en movimiento.
2. Velocidad del cable, primera capa en pies por minuto (FPM) en función del flujo de galones por minuto (GPM).

El rendimiento está basado en el desplazamiento de motor de 244 cc con una medida del caudal máximo de 113 LPM. Ver en la página 90 el tamaño del orificio del motor.

Rendimiento de la Serie H-800, HY-800 Régimen de trabajo de 900 kg Reducción 40:1



DISPOSICIÓN TÍPICA DEL SISTEMA HIDRÁULICO



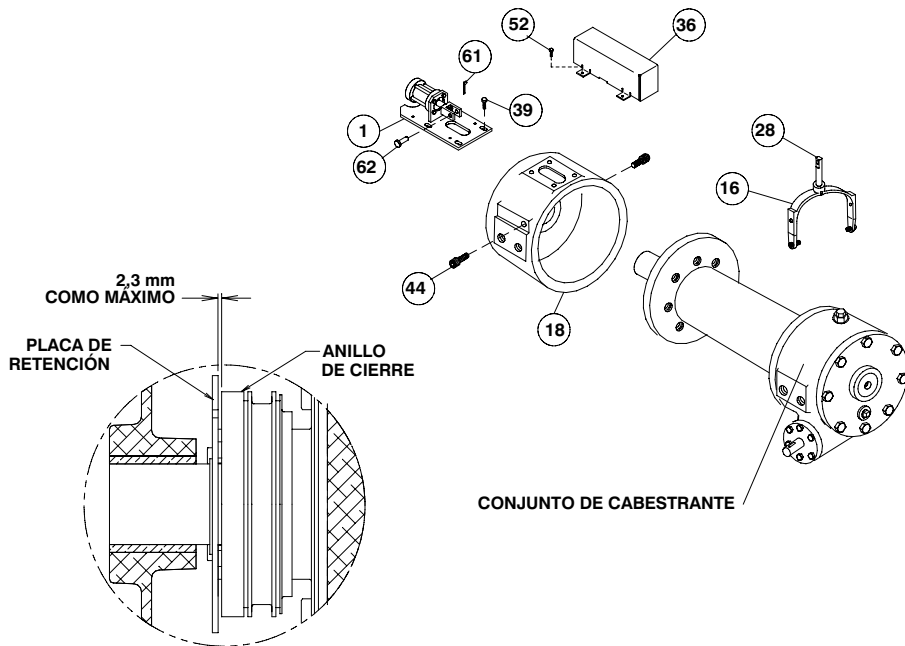
GUÍA DE SOLUCIÓN DE PROBLEMAS

ESTADO	CAUSA POSIBLE	CORRECCIÓN
EMGRAGUE INOPERANTE O SE TRABA	<ol style="list-style-type: none"> 1. Eje seco u oxidado. 2. Balancín o acoplamiento doblado. 	<ol style="list-style-type: none"> 1. Limpiar y lubricar. 2. Reemplazar el conjunto del eje o del balancín.
EL ACEITE SE FUGA DE LA CAJA	<ol style="list-style-type: none"> 1. Junta dañada o desgastada. 2. Demasiado aceite. 3. Empaquetadura dañada. 	<ol style="list-style-type: none"> 1. Cambiar la junta. 2. Purgar el exceso de aceite. Consultar Técnicas de Funcionamiento. 3. Cambiar la empaquetadura.
LA CARGA SE DESPLAZA HACIA ABAJO	<ol style="list-style-type: none"> 1. El freno helicoidal está desgastado. 2. El freno helicoidal está desajustado. 	<ol style="list-style-type: none"> 1. Cambiar el disco del freno. (Ver la página 82) 2. Girar el perno de ajuste ¼ de vuelta a la derecha o hasta que la carga no se desplace.
EL CABESTRANTE FUNCIONA DEMASIADO LENTO	<ol style="list-style-type: none"> 1. El motor hidráulico está desgastado. 2. Medida baja del caudal. 	<ol style="list-style-type: none"> 1. Cambiar el motor. 2. Comprobar la medida del caudal. Consultar el gráfico de caudal en Sistemas Hidráulicos, página 80.
EL TAMBOR DEL CABLE NO LIBERA LA BOBINA	<ol style="list-style-type: none"> 1. El cabestrante no está montado en ángulo recto, haciendo que los cojinetes traben el tambor. 	<ol style="list-style-type: none"> 1. Comprobar el montaje. Consultar Montaje del Cabestrante en la página 79.
EL CABLE SE SALE CUANDO SE DESENGRANA EL EMBRAGUE	<ol style="list-style-type: none"> 1. El disco de freno de arrastre está desgastado. 	<ol style="list-style-type: none"> 1. Cambiar los discos.
EL FLUIDO HIDRÁULICO SE FUGA POR EL AGUJERO DEL ADAPTADOR	<ol style="list-style-type: none"> 1. El obturador del eje del motor está dañado. 	<ol style="list-style-type: none"> 1. Cambiar el obturador.

AJUSTE DEL CAMBIO NEUMÁTICO DEL EMBRAGUE

1. Colocar el conjunto del cabestrante en el bastidor de montaje y volver a acoplarlo con (8) pernos de montaje y arandelas de seguridad. Apretar los tornillos de montaje a 393 Nm cada uno. Asegurarse de que la caja de engranajes y el cárter del embrague no rocen los rebordes del tambor.
2. Colocar el conjunto del cambio neumático N° 5 sobre el eje de cambio alineando la horquilla sobre las partes planas del eje. Fijar la horquilla al eje con el pasador de horquilla N° 76 y el pasador de chaveta N° 75. Colocar el eje del cambio en la posición de "ENGRANADO". Con el eje del cilindro de aire totalmente retractado, empujar el conjunto del cambio hacia el tambor hasta que se quite todo el huelgo del eje de cambio. Fijar el conjunto del cambio al cárter del embrague empleando (4) tornillos de casquete N° 46 (cabeza hexagonal con reborde acanalado). Apretar con firmeza, pero con par torsor.

3. Interconectar el aire (480-620 KPa) al orificio de entrada del cilindro de aire y desengranar el embrague. Mirar en la abertura del cárter del embrague y verificar que el anillo de cierre y la placa de retención no estén en contacto. El anillo de cierre y la placa de retención no deben estar en contacto. Cuando el cabestrante esté totalmente desengranado, debe haber un huelgo de 2,3 mm como máximo entre el anillo de cierre y la placa de retención. Si hubiese contacto, habría que aflojar los (4) tornillos de casquete N° 46 y sacar la placa del tambor 1,5 mm aproximadamente. Apretar los tornillos firmemente y comprobar el movimiento para garantizar que exista el huelgo necesario. Para conseguir el huelgo necesario, repetir el procedimiento de ajuste según sea necesario. Cambiar el embrague 2 ó 3 veces para verificar el cambio correcto del embrague. Después del ajuste final, apretar los (4) tornillos de casquete N° 46 a 24 Nm cada uno. Acoplar la cubierta N° 43 empleado los (4) tornillos de casquete N° 61.



AJUSTE DEL FRENO HELICOIDAL ENFRIADO POR ACEITE

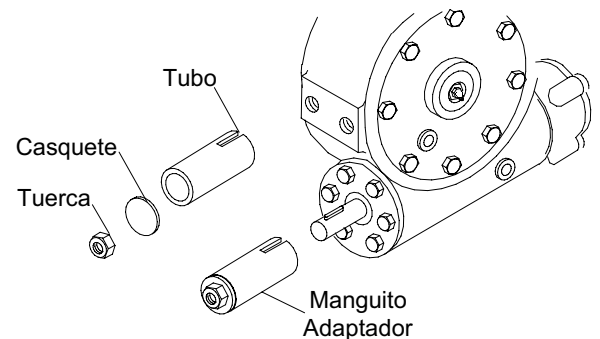
El freno de seguridad automático, totalmente ajustable y, enfriado por aceite funciona dentro del lubricante de la caja de engranajes de tornillo sinfín, con todas las piezas sumergidas en aceite. Cuando el freno se desgasta hasta el punto en que la carga comienza a desplazarse, se podrá ajustar de la siguiente forma:

1. Aflojar la tuerca de fijación del tornillo nivelante.
2. Apretar el freno girando el tornillo nivelante a derechas. **PRECAUCIÓN:** Normalmente, para ajustar el freno sólo se requiere un giro de 1/4 de vuelta. El apretar demasiado podría recalentar las piezas del freno y dañarlas. Apretar la tuerca de fijación después de terminar el ajuste.

Si el freno no responde al ajuste, entonces serán necesarios un nuevo muelle de lámina y un disco de freno.

Se puede acoplar un adaptador especial a una llave de apriete prefijado para poder apretar el eje de entrada (engranaje de tornillo sinfín) del cabestrante. El adaptador se puede hacer soldando una tuerca al extremo de un trozo de tubo tal como se indica en la siguiente figura.

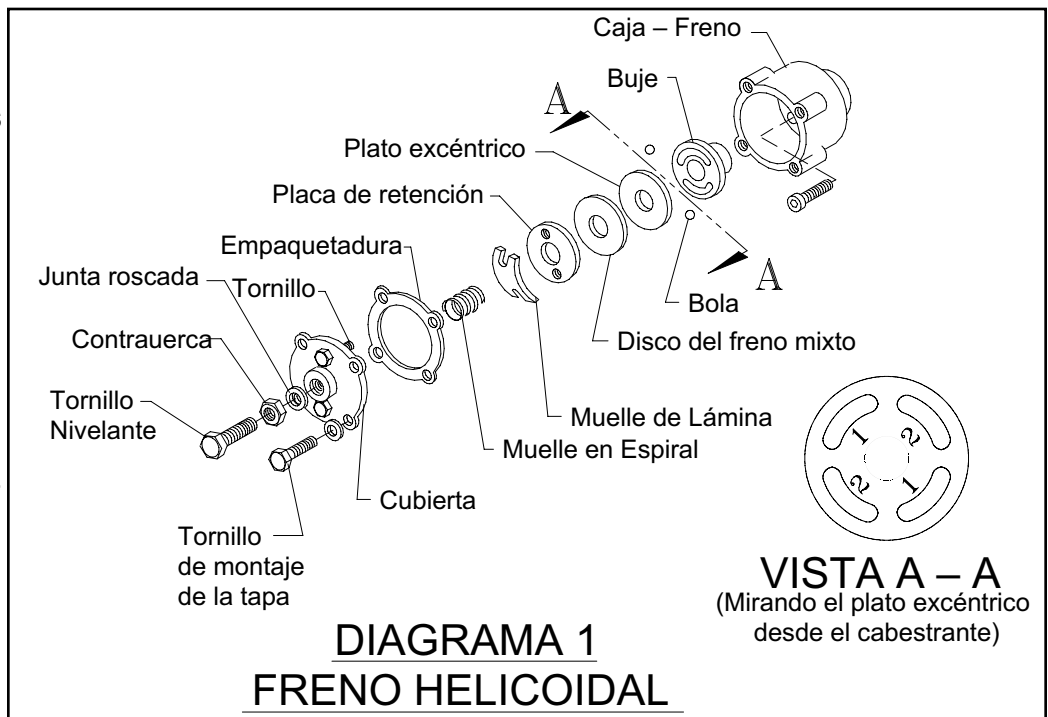
Después de soldar la tapa y la tuerca en el tubo, ranurar el tubo tal como aparece en la figura. Esto permitirá que el adaptador especial pueda deslizarse sobre el chavetero y funcionar como una bocabarra. Entonces se puede emplear una llave de apriete prefijado para aplicar el par de apriete. Girar la llave de apriete prefijado de manera que el tambor gire en la dirección de desbobinar o de descenso. El régimen nominal de par de torsión para el Modelo 800 debe ser de 67-74 Nm. Si la llave de apriete prefijado no indica el valor correcto al girar, entonces debe girarse 1/4 de vuelta el perno de ajuste del freno helicoidal. Cada vez que se gire el perno de ajuste, comprobar la lectura del par de torsión. Continuar este procedimiento hasta que se consiga la lectura correcta del par de torsión. Luego apretar la tuerca de fijación.



REPARACIÓN DEL FRENO DE SEGURIDAD ENFRIADO POR ACEITE

1. Retirar el tapón de purga y purgar el aceite del engranaje de tornillo sinfín de la caja del engranaje.
2. Apartar la tuerca de fijación, luego el tornillo nivelante, girando ambos dos o más vueltas a izquierdas.
3. Retirar los tornillos de montaje de la tapa.
4. Retirar la tapa junto con el muelle en espiral y el muelle de lámina.
5. Retirar la placa de retención, el disco mixto del freno, el plato excéntrico y las bolas. Anotar las ranuras en las que están las bolas.
6. Inspeccionar las piezas de la siguiente manera:

- a. Los discos mixtos del freno tienen un grosor de 6 mm cuando están nuevos. Reemplazarlos si miden menos de 4 mm o si las superficies están brillantes o quemadas.
- b. Inspeccionar la superficie rectificada y plana del plato excéntrico y de la placa de retención por si parece brillante, abarquillada o presenta otros daños. La brillantez se puede retirar raspando con cuidado.
- c. Inspeccionar el muelle de lámina. Debe estar curvado unos 3 mm.



MONTAR DE NUEVO EL FRENO Y COMPROBARLO

1. Presionar el buje del freno en su sitio sobre el eje helicoidal y el chavetero.
2. Montar las bolas en las ranuras correspondientes del plato excéntrico. (Consultar el Diagrama 1, Página 82). Emplear grasa pastosa para sujetar las bolas en su sitio y deslizar el plato de la excéntrica sobre el extremo del engranaje. Asegurarse de que las bolas estén sujetas, entre las ranuras de la excéntrica y del buje. Consultar la Página 83 para determinar el emplazamiento correcto de las bolas en las ranuras.
3. Instalar el disco del freno.
4. Instalar la placa de retención, con el lado liso hacia el disco del freno.
5. Instalar la empaquetadura en la tapa con una pequeña cantidad de grasa o sellador.
6. El muelle helicoidal va sobre el tornillo nivelante en el interior de la tapa.
7. Instalar las ranuras del muelle de lámina en los vástagos que salen de la tapa. El lado hueco del muelle de lámina va hacia el freno.
8. Instalar la tapa de la caja del freno, asegurarse de que los vástagos salientes atraviesen el muelle de lámina y entren en los agujeros de la placa de retención.
9. Atornillar la tapa en su sitio con los tornillos de montaje. Instalar un tapón de purga y añadir 0,47 L de aceite universal E.P. 140.
10. Girar el cabestrante una vuelta del eje de entrada como mínimo en la dirección de elevación.
11. Girar el tornillo nivelante con los dedos hasta que esté apretado.

PRUEBA DEL MONTAJE CORRECTO DEL FRENO

Después de haber ajustado el freno al par adecuado de torsión, desenganchar el embrague. Arrancar el motor del vehículo y hacer funcionar el cabestrante en la dirección de bobinado (elevación). Permitir que el cabestrante funcione en esta dirección durante un minuto.

Poner la mano en la caja del freno de seguridad. Si la caja no está caliente al tacto, entonces hacer funcionar el cabestrante en la dirección de marcha atrás (cable fuera) durante un minuto. La caja del freno empezará a calentarse.

Cuando se dan estas condiciones es que se ha hecho una instalación correcta. Si se nota el calentamiento cuando el cabestrante está funcionando en la dirección de giro hacia adelante (elevación), entonces habrá de desmontar el freno de nuevo. Cuando esté desmontado, poner las bolas del freno en el juego alterno de ranuras del plato de la excéntrica, luego seguir las instrucciones atentamente para volver a montar el freno y comprobarlo.

INSTRUCCIONES PARA COMPROBAR EL MONTAJE Y EL POSICIONAMIENTO DEL FRENO HELICOIDAL

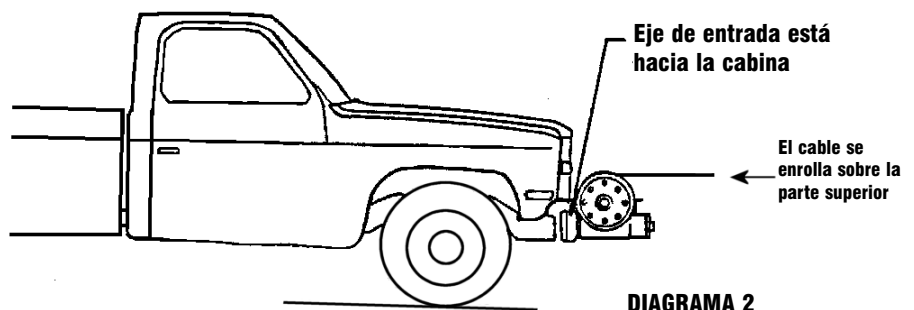
Cuando se monte el freno helicoidal, habrá que ajustar el freno con las bolas en los juegos de ranuras 1 y 2 del plato de la excéntrica. (Vista A-A, Página 64). En la placa de datos se indica dónde se instalaron las bolas en la fábrica, si en las ranuras 1 ó 2.

Tres son los factores que determinan las ranuras donde deben colocarse las bolas.

1. La dirección en la que se enrolla el cable en el tambor. Normalmente **SE ENROLLA SOBRE LA PARTE SUPERIOR** del cuerpo del tambor.
2. El corte del juego de engranajes, engranaje derecho o izquierdo. La última letra del número de modelo del cabestrante, R o L, indica juego de engranajes derecho o izquierdo. Ejemplo: R-20AR, R-30L, 700R, 800L.
3. El lado del cabestrante donde se encuentra el eje de entrada. El **EJE DE ENTRADA NORMALMENTE SE ENCUENTRA HACIA LA CABINA**. La colocación a la derecha o a la izquierda de la caja de engranajes del cabestrante no afecta al ajuste del freno.

EJEMPLO: Cuando el cable se enrolla sobre la parte superior del tambor, el cabestrante tiene el engranaje a la derecha y el eje de entrada está hacia la cabina (diagrama 2), entonces las bolas tienen que estar en las ranuras 2 de la excéntrica.

Si alguno de estos tres factores difiere de los mencionados anteriormente, las bolas tienen que estar en las ranuras 1 de la excéntrica. Un segundo cambio en estos factores requerirá la disposición original, y si todos estos tres factores son diferentes, las bolas tendrán que estar en las ranuras 1. (Ver en las Páginas 5 y 6 las instrucciones de desmontaje y montaje).



INSTRUCCIONES PARA VERIFICAR EL MODELO H-800 DOW-LOK® DE RAMSEY

Desmontaje

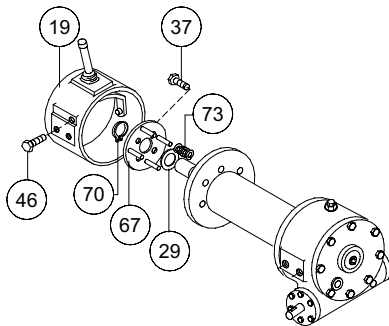
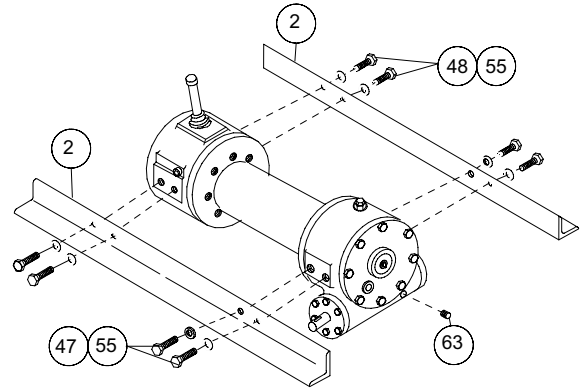
Consultar las páginas de Lista de Piezas y Dibujos de Piezas para ver el número de elemento y el número de pieza correspondiente.

(1)

Purgar el aceite de la caja de engranajes sacando el tapón macho roscado (elemento N° 63) de la caja de engranajes.

Cambiar el embrague a la posición engranada "IN".

Retirar las escuadras del bastidor (elemento N° 2) del conjunto del cabezante.



(2)

Retirar los dos tornillos de casquete (elemento N° 46) del cárter del embrague (elemento N° 19) y desenganchar el conjunto del cambio.

Retirar el cárter del embrague del extremo del eje del tambor. Presionar en la placa de retención (elemento N° 67) para aliviar la tensión del muelle y retirar el anillo de retención (elemento N° 70).

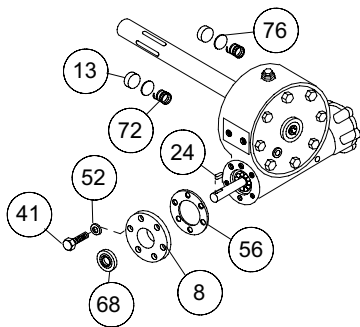
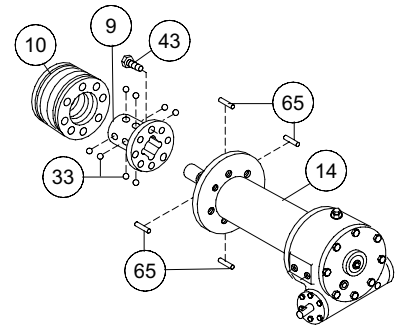
Retirar los cuatro tornillos de casquete (elemento N° 37), la placa de retención (elemento N° 67), los muelles (elemento N° 73) y el espaciador (elemento N° 29).

(3)

Deslizar el anillo de cierre (elemento N° 10) fuera del embrague. NOTA: El anillo de cierre no podrá retirarse a menos que el embrague esté engranado, con las clavijas (elemento N° 65) asentadas en el chavetero del eje.

Girar el tambor de manera que se puedan retirar las ocho bolas (elemento N° 33) y las cuatro clavijas (elemento N° 65).

Si fuera necesario, se podrá desmontar el embrague (elemento N° 9) del tambor retirando los ocho tornillos de casquete (elemento N° 43). Deslizar el tambor (elemento N° 14) fuera del eje del tambor.



(4)

Retirar la chaveta (elemento N° 24) del eje helicoidal.

Retirar el casquete del cojinete (elemento N° 8) y la empaquetadura (elemento N° 56) desatornillando los seis tornillos de casquete (elemento N° 41) y las arandelas (elemento N° 52).

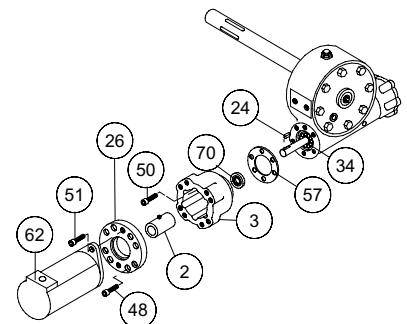
Retirar la junta (elemento N° 68) de la tapa del cojinete y presionar una junta nueva en su sitio.

Habrá que examinar el disco del freno de arrastre (elemento N° 13), el espaciador (elemento N° 76) y el muelle (elemento N° 72) y reemplazarlos si fuese necesario.

(5)

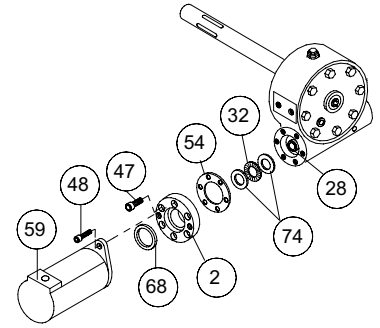
Retirar el motor (elemento N° 62) de la placa del adaptador (elemento N° 26) sacando los tornillos de casquete (elemento N° 51). Retirar la placa y el acoplamiento (elemento N° 2) del adaptador (elemento N° 3) desatornillando ocho tornillos de casquete (elemento N° 48).

Retirar la chaveta (elemento N° 24) del eje del engranaje del tornillo sinfin. Desatornillar los seis tornillos de casquete (elemento N° 50) y retirar el adaptador de la caja de engranajes. Volver a colocar la junta del adaptador (elemento N° 70) y la empaquetadura (elemento N° 57).



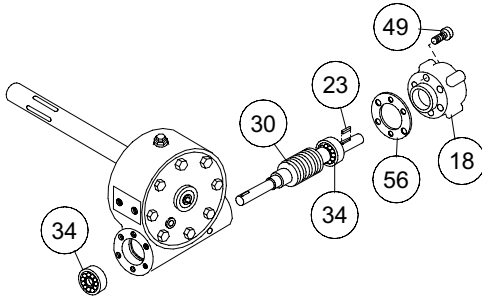
(5a)

Retirar el motor (elemento N° 59) del adaptador (elemento N° 2) sacando los dos tornillos de casquete y arandelas (elementos núms. 48 y 52). Retirar el adaptador (elemento N° 2) de la caja de engranajes retirando los seis tornillos de casquete (elemento N° 47). Volver a colocar la junta auxiliar (elemento N° 68) y la empaquetadura (elemento N° 54). Retirar el cojinete de empuje (elemento N° 32) y las arandelas de empuje (elemento N° 74).



(6)

Consultar en la página 82 REPARACIÓN DEL FRENO DE SEGURIDAD ENFRIADO POR ACEITE. Retirar la caja del freno (elemento N° 18) de la caja de engranajes retirando los seis tornillos de casquete (elemento N° 49). Retirar la chaveta (elemento N° 23) del engranaje del tornillo sinfín. Retirar de la caja de engranajes el engranaje de tornillo sinfín (elemento N° 30) y los cojinetes (elemento N° 34). Emplear un martillo blando para golpear suavemente el extremo de entrada del engranaje de tornillo sinfín y sacar éste último y el cojinete de la caja de engranajes. Una vez retirado el engranaje de tornillo sinfín de la caja de engranajes, se puede presionar el cojinete desde el extremo del engranaje.

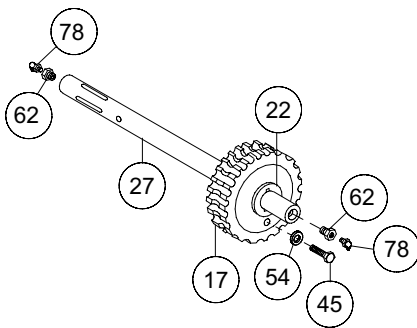
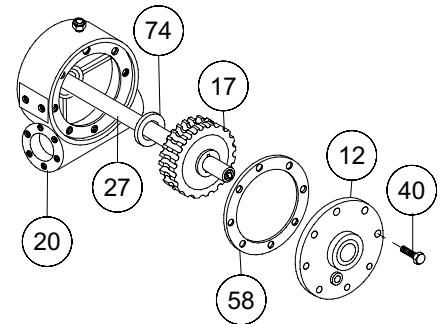


Comprobar si hay señales de desgaste o daño en el engranaje de tornillo sinfín (elemento N° 30) y en los cojinetes (elemento N° 34). Cambiarlos si fuese necesario.

(7)

Desatornillar los ocho tornillos de casquete (elemento N° 40) para retirar la cubierta (elemento N° 12) de la caja de engranajes (elemento N° 20). Enroscar dos de los tornillos en los agujeros roscados de la tapa y apretarlos. Así se soltará la tapa de la caja de engranajes.

Retirar la empaquetadura de la cubierta (elemento N° 58) y el eje de tracción (elemento N° 27), con el engranaje (elemento N° 17) y el espaciador (elemento N° 74) acoplados de la caja de engranajes.



(8)

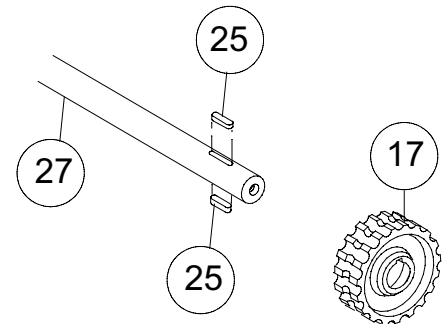
Comprobar si hay señales de desgaste en los dientes del engranaje. Si fuese necesario, cambiar el engranaje.

Comprobar si las conexiones del lubricante (elemento N° 78) presentan daños y cambiarlas si fuese necesario. Retirar las conexiones del lubricante (elemento N° 78) y los reductores (elemento N° 62) de los extremos del eje, seguir el Paso 9, y volver a instalarlos después de ese paso.

(9)

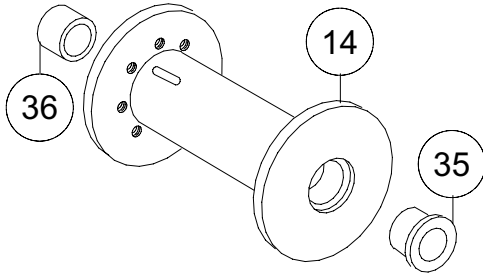
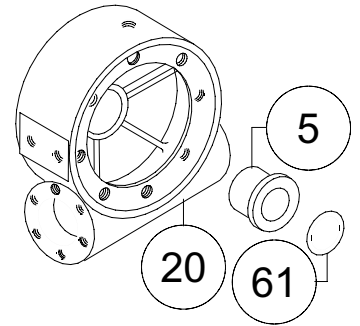
Si el eje o el buje del engranaje están dañados, cambiarlos de la siguiente manera:

- Meter las chavetas (elemento N° 25) en los chaveteros cortos del eje del tambor (elemento N° 27) golpeándolas ligeramente.
- Presionar el eje (elemento N° 27) y las chavetas a través del buje del engranaje (elemento N° 17) hasta que el extremo de las chavetas del extremo largo del eje estén al ras del buje.



(10)

Comprobar si el manguito de la caja de engranajes (elemento N° 5) y la junta tórica (elemento N° 63) presentan señales de desgaste. Cambiarlos si fuera necesario empujando el manguito gastado desde la caja de engranajes (elemento N° 20). Empujar el nuevo manguito en su sitio e insertar una nueva junta tórica (elemento N° 61) en la ranura dentro del manguito.

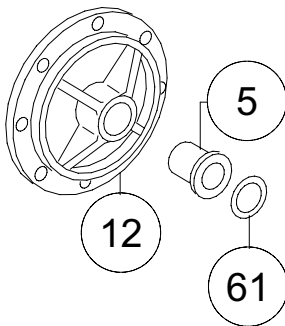
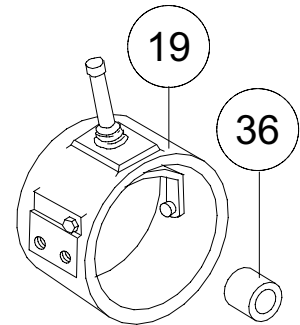


(11)

Comprobar si los manguitos del tambor (elementos núms. 35 y 36) presentan señales de desgaste. Cambiarlos si fuese necesario empujando los manguitos desgastados desde el tambor (elemento N° 14). Empujar el manguito (elemento N° 35) dentro del diámetro interior del tambor hasta que su reborde esté asentado contra el fondo del agujero escariado. Empujar el manguito (elemento N° 36) dentro del diámetro interior opuesto del tambor hasta que el extremo del manguito ocupe 12 mm desde el extremo del tambor.

(12)

Comprobar si el manguito del cojinete (elemento N° 36) presenta señales de desgaste. Si fuese necesario, retirar el manguito desgastado y empujar el nuevo en su sitio.



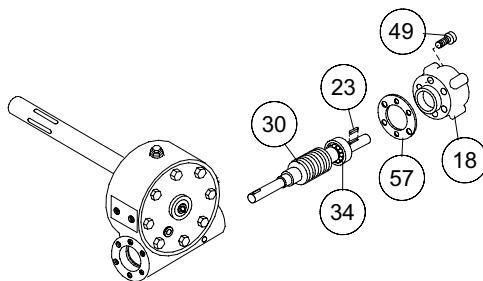
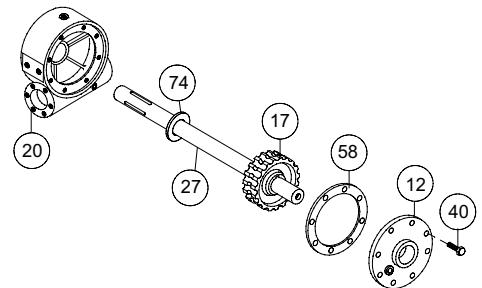
(13)

Comprobar si el manguito de la cubierta (elemento N° 5) y la junta tórica (elemento N° 61) presentan señales de desgaste. Cambiarlos si fuera necesario empujando el manguito gastado desde la cubierta de la caja de engranajes (elemento N° 12). Empujar el nuevo manguito en su sitio e insertar una nueva junta tórica (elemento N° 61) en la ranura dentro del manguito.

REMONTAJE

(14)

Deslizar el espaciador (elemento N° 74) sobre el extremo largo del eje y ponerlo contra el buje del engranaje. Aplicar grasa en el extremo del eje, opuesto al engranaje. Aplicar grasa en el manguito de la caja de engranajes (elemento N° 20). Poner el extremo engrasado del eje a través del manguito de la caja de engranajes (elemento N° 20). Poner la empaquetadura (elemento N° 58) en la tapa de la caja de engranajes (elemento N° 12). Aplicar grasa en el extremo del eje del engranaje y en el manguito de la tapa. Poner la cubierta en el eje y fijarla a la caja con los ocho tornillos de casquete (elemento N° 40). Apretar los tornillos de casquete a 52 Nm cada uno.

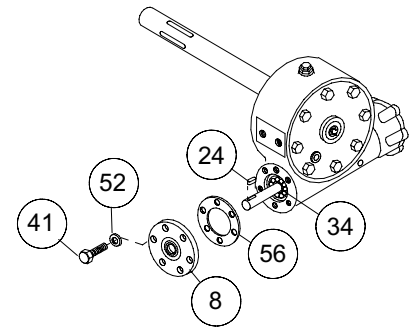


(15)

Empujar el cojinete (elemento N° 34) en el engranaje de tornillo sinfín (elemento N° 30). NOTA: Asegurarse de que la parte gruesa de la cara exterior del cojinete (lado con el nombre del fabricante y número de pieza) mire hacia afuera, alejada de las roscas del engranaje. Empujar el cojinete y el engranaje en la caja de engranajes. Deslizar la empaquetadura (elemento N° 56) sobre la caja del freno (elemento N° 18). Emplear seis tornillos de casquete (elemento N° 49) para fijar la caja del freno a la caja de engranajes. Apretar los tornillos de casquete a 61 Nm cada uno. Meter la chaveta (elemento N° 23) en el chavetero de la caja de engranajes de tornillo sinfín (elemento N° 30). Consultar en la página 83 las instrucciones para el remonta je y cómo comprobar el freno helicoidal.

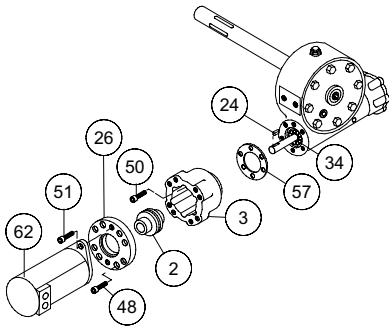
(16)

Empujar el cojinete (elemento N° 34) en el engranaje de tornillo sinfín y dentro de la caja de engranajes. NOTA: Asegurarse de que la parte gruesa de la cara exterior del cojinete (lado con el nombre del fabricante y número de pieza) mire hacia afuera, alejada de las roscas del engranaje. Acoplar el casquete del cojinete (elemento N° 8) a la caja de engranajes empleando los seis tornillos de casquete (elemento N° 41) con las arandelas de seguridad (elemento N° 52). Apretar los tornillos de casquete a 52 Nm cada uno. Insertar la chaveta (elemento N° 24) en el chavetero del eje del engranaje de tornillo sinfín.



(17)

Empujar el cojinete (elemento N° 34) en el engranaje de tornillo sinfín y dentro de la caja de engranajes. NOTA: Asegurarse de que la parte gruesa de la cara exterior del cojinete (lado con el nombre del fabricante y número de pieza) mire hacia afuera, alejada de las roscas del engranaje. Acoplar el adaptador (elemento N° 3) de la caja de engranajes empleando los seis tornillos de casquete (elemento N° 50). Apretar los tornillos de casquete a 61 Nm cada uno. Insertar la chaveta (elemento N° 24) en el chavetero del eje del engranaje de tornillo sinfín. Deslizar el acoplamiento (elemento N° 2) sobre el extremo del eje helicoidal. Acoplar la placa del adaptador (elemento N° 26) al adaptador empleando los ocho tornillos de casquete (elemento N° 48). Apretar los tornillos de casquete a 28 Nm cada uno.

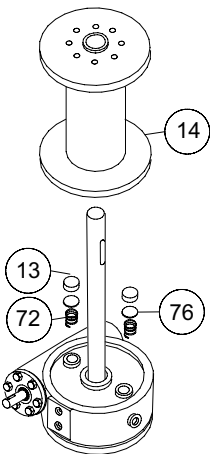
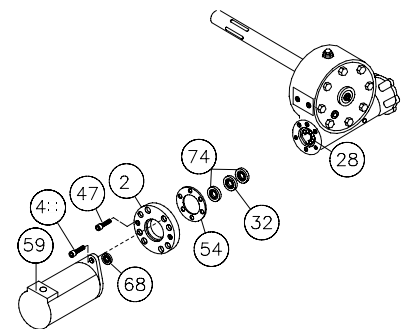


Poner el eje del motor, con la chaveta en el chavetero, dentro del acoplamiento. Fijar el motor (elemento N° 62) al adaptador, empleando dos tornillos de casquete (elemento N° 51). Apretar los tornillos de casquete a 138 Nm cada uno.

(17a)

Colocar las arandelas de empuje (elemento N° 74) y el cojinete de empuje (elemento N° 32) sobre el extremo del engranaje de tornillo sinfín (elemento N° 28) y dentro de la caja. Acoplar el adaptador (elemento N° 2) con la empaquetadura (elemento N° 54) a la caja, empleando seis tornillos de casquete (elemento N° 47). Apretar los tornillos a 61 Nm cada uno.

Insertar la junta auxiliar (elemento N° 68) en el adaptador y meter el eje del motor, con la chaveta en el chavetero, a través de la junta, con cuidado para no dañarla. Insertar el eje del motor en el extremo del engranaje de tornillo sinfín (elemento N° 28). Fijar el motor (elemento N° 59) al acoplamiento empleando los dos tornillos de casquete (elemento N° 48) con las arandelas de seguridad (elemento N° 52). Apretar los tornillos a 138 Nm cada uno.



(18)

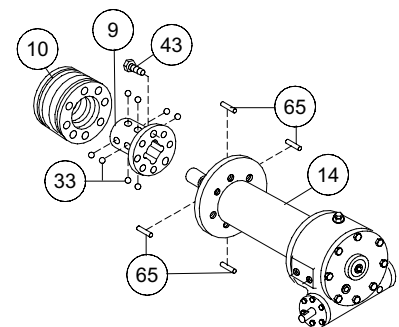
Poner el cabestrante con la tapa de la caja de engranajes bajada sobre el banco de trabajo. El eje del tambor debe estar en posición vertical. Fijar los muelles (elemento N° 72) en los receptáculos de la caja de engranajes con los frenos de arrastre (elemento N° 13) sobre la parte superior del disco (elemento N° 76) y de los muelles. Deslizar el conjunto del tambor (elemento N° 4) sobre el eje del tambor tal como se indica.

(19)

Poner el embrague (elemento N° 9) sobre el extremo del eje del tambor. Alinear el embrague sobre el manguito auxiliar en el tambor. Instalar los ocho tornillos de casquete (elemento N° 43) y apretarlos en un par torsor de 139 Nm. para asentar firmemente el embrague sobre el tambor.

Girar el tambor para alinear las ranuras del embrague con los chaveteros del eje. Engrasar ligeramente las cuatro clavijas (elemento N° 65) y las ocho bolas (elemento N° 33). Emplear bisulfuro de molibdeno o una grasa para cojinetes de grafito. Insertar las cuatro clavijas (elemento N° 65) y las ocho bolas (elemento N° 33). En la posición de engranado, las bolas están casi al ras del embrague.

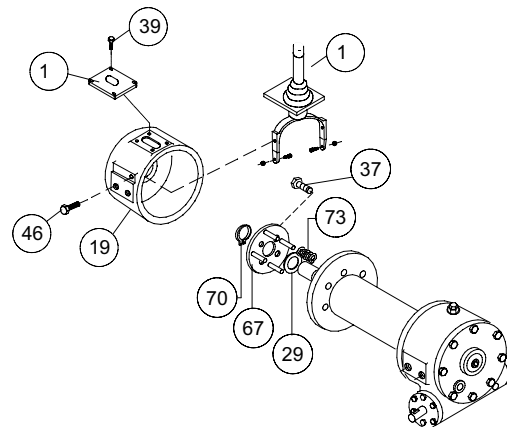
Engrasar ligeramente la ranura interna y externa y el diámetro interior del anillo de cierre (elemento N° 10) y el embrague (elemento N° 9). Deslizar el anillo de cierre sobre el embrague. Cuando está totalmente engranado, el anillo de cierre toca el reborde del embrague y hay unos 18-18,5 mm entre su extremo y el extremo del embrague.



(20)

Poner cuatro muelles (elemento N° 73) sobre los cuatro pivotes de rodillo en la placa de retención (elemento N° 67). Instalar el espaciador (elemento N° 29) y la placa de retención y fijarla en el embrague empleando cuatro tornillos de casquete (elemento N° 37). Apretar los tornillos de casquete a 13 Nm cada uno. Asentar firmemente el anillo de retención (elemento N° 70) dentro de la ranura del eje del tambor.

Fijar el conjunto del cambio de forma que las cabezas de los tornillos se enganchen en la ranura externa del anillo de cierre (elemento N° 10). Empujar el cárter del embrague (elemento N° 19) sobre el eje del tambor y enganchar el conjunto del cambio en la posición de engranado "IN". Insertar los dos tornillos de casquete (elemento N° 46).



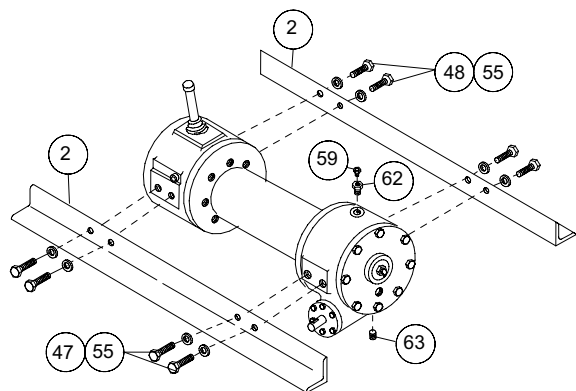
(21)

Acoplar las escuadras de montaje (elemento N° 2) del conjunto del cabestrante. Emplear los tornillos de casquete (elementos núms. 47 y 48) y las arandelas de seguridad (elemento N° 55). Apretar los tornillos de casquete a 393 Nm cada uno. Insertar el tapón (elemento N° 63) en el agujero de la parte inferior de la caja del engranaje. Retirar los tapones (elementos N° 59 y 62) de la parte superior de la caja. Verter 1,7 L de aceite E.P. 140 en el agujero y poner los tapones.

Comprobar el funcionamiento del embrague cambiando el tambor del cabestrante y liberando la bobina varias veces.

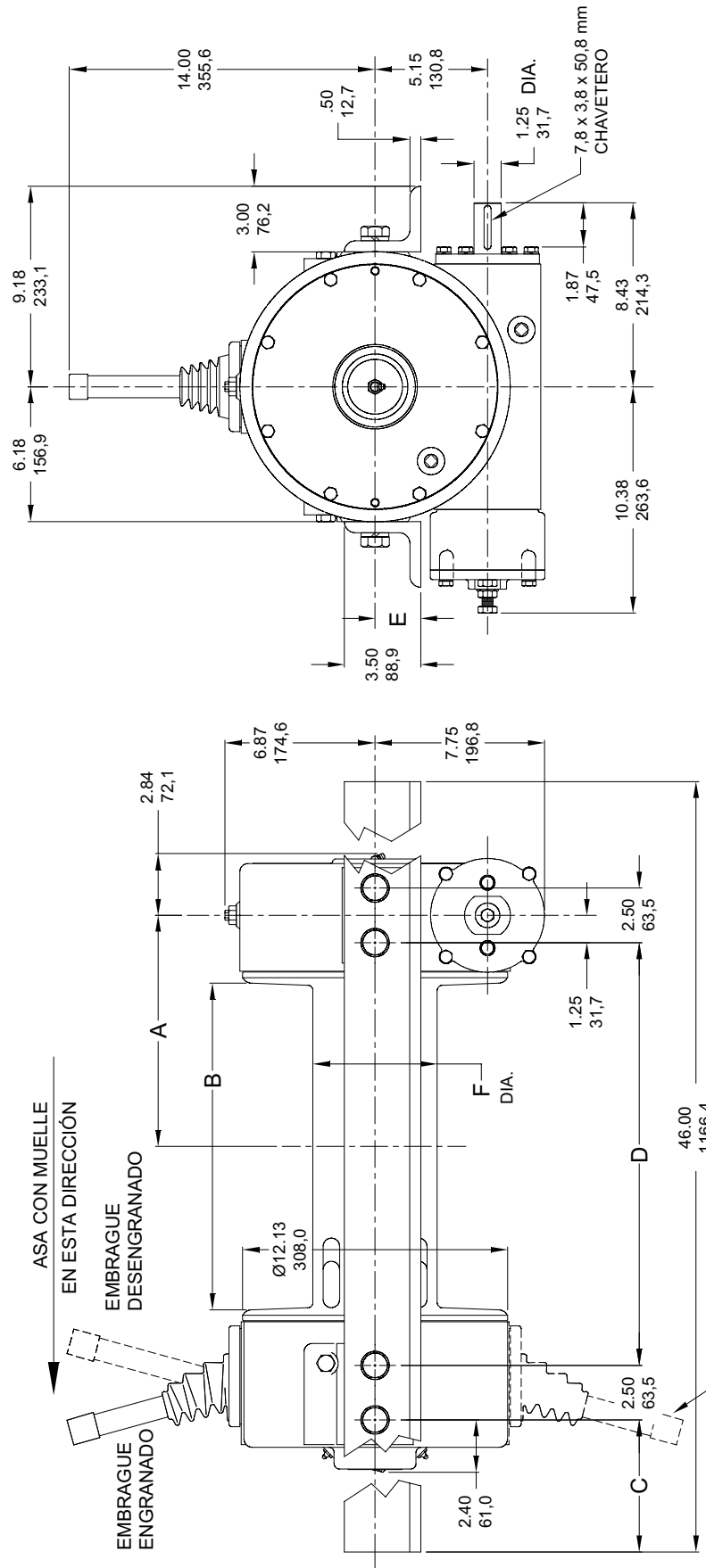
El plato de patrones de cambios de la parte superior del cárter del embrague viene ajustado de fábrica para ofrecer el cambio fiable del embrague Dow-Lok®. Si se afloja el plato o se retira, habrá que reajustarlo. Cambiar el asa para desengranar el embrague y sujetarla contra el tope interno. Con el pasador de cierre en las ranuras "OUT", empujar el plato de patrones de cambios hacia el tambor

del cable. Desenganchar la cubierta de palanca de plástico del plato de patrones. Apretar los cuatro tornillos de casquete que sujetan el plato a la caja. Enganchar la cubierta de palanca de vuelta en su sitio alrededor del plato de patrones.



MODELO 800 DOW-LOK® 800 / Y-800

CABESTRANTE MODELO	A PULGADAS MM	B PULGADAS MM	C PULGADAS MM	D PULGADAS MM	E PULGADAS MM	F PULGADAS MM
800	10.62 269,7	15.00 381,0	10.75 273,0	19.38 492,2	2.09 53,0	5.69 144,5
Y-800	7.75 196,8	9.44 239,8	13.68 347,4	13.63 346,2	2.00 50,8	5.50 139,7

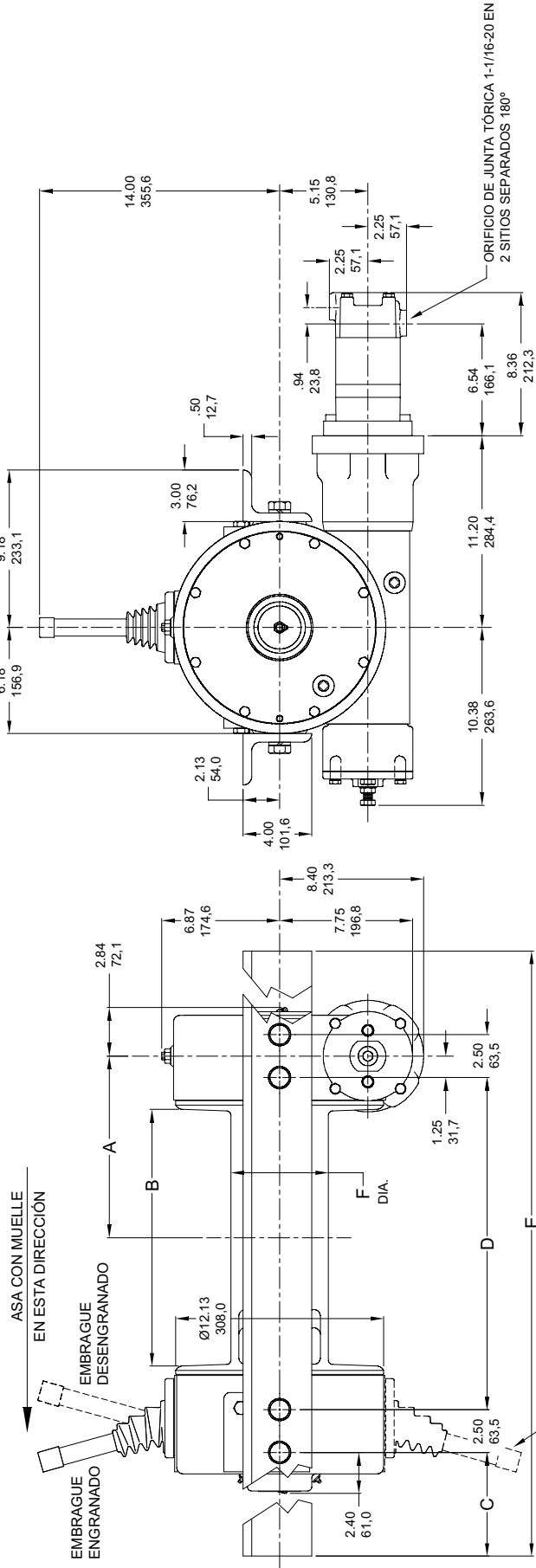


LAS DIMENSIONES SE DAN EN PULGADAS SOBRE MILÍMETROS

EL CÁRTER DEL EMBRAGUE SE PUEDE GIRAR
180° PARA SER INSTALADO POR EL CLIENTE

MODELO H-800 DOW-LOK® H-800 / HY-800

CABESTRANTE MODELO	A PULGADAS MM	B PULGADAS MM	C PULGADAS MM	D PULGADAS MM	E PULGADAS MM	F PULGADAS MM
H-800	10.62 269.7	15.00 381.0	13.81 350.7	19.38 492.2	52.00 1320.8	5.69 144.5
HY-800	7.75 196.8	9.44 239.8	13.68 347.4	13.63 346.2	46.00 1168.4	5.50 139.7

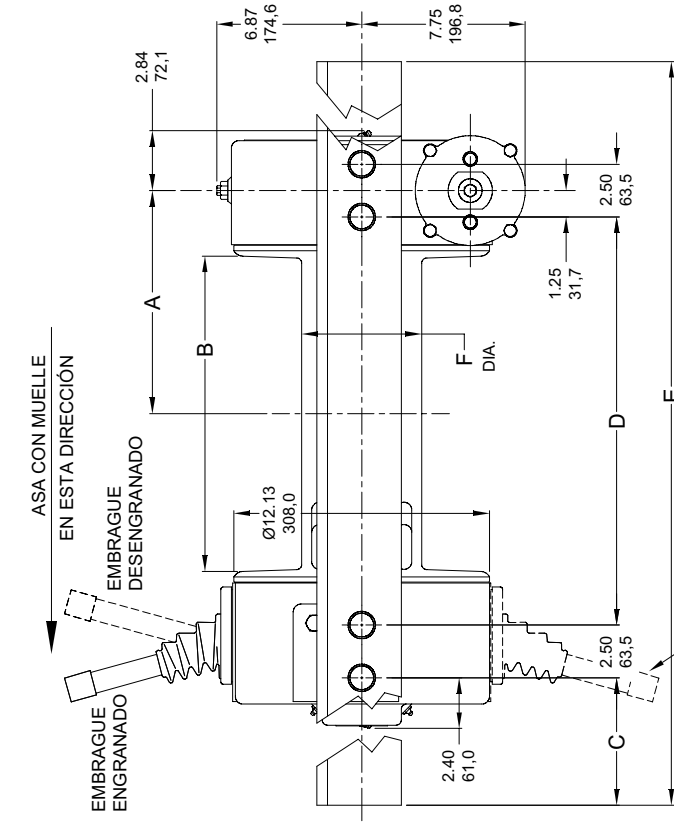


EL CÁRTER DEL EMBRAGUE SE PUEDE GIRAR 180° PARA SER INSTALADO POR EL CLIENTE

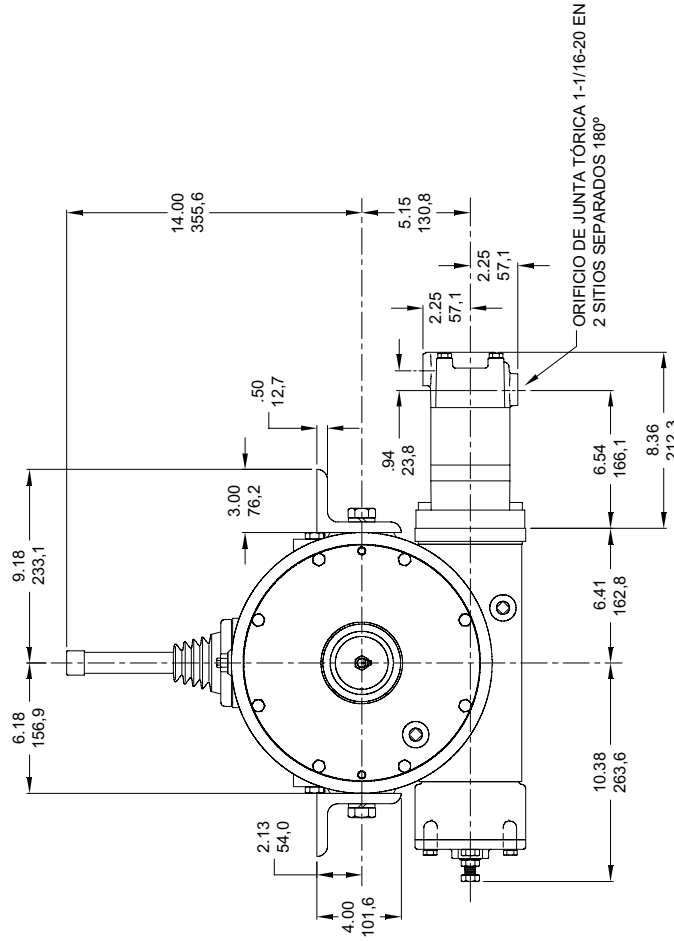
LAS DIMENSIONES SE DAN EN PULGADAS SOBRE MILÍMETROS

MODELO H-800SC DOW-LOK® (Acoplamiento Corto)

CABESTRANTE MODELO	A PULGADAS MM	B PULGADAS MM	C PULGADAS MM	D PULGADAS MM	E PULGADAS MM	F PULGADAS MM
H-800	10.62 269.7	15.00 381.0	13.81 350.7	19.38 492.2	52.00 1320.8	5.69 144.5
HY-800	7.75 196.8	9.44 239.8	13.68 347.4	13.63 346.2	46.00 1168.4	5.50 139.7



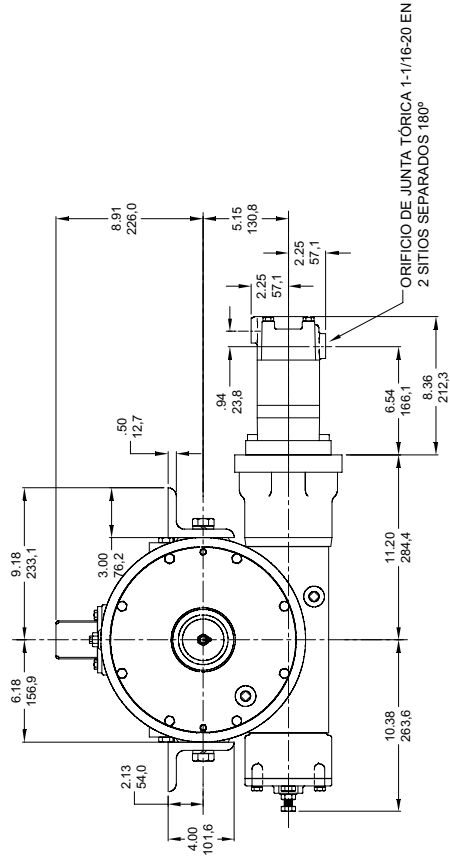
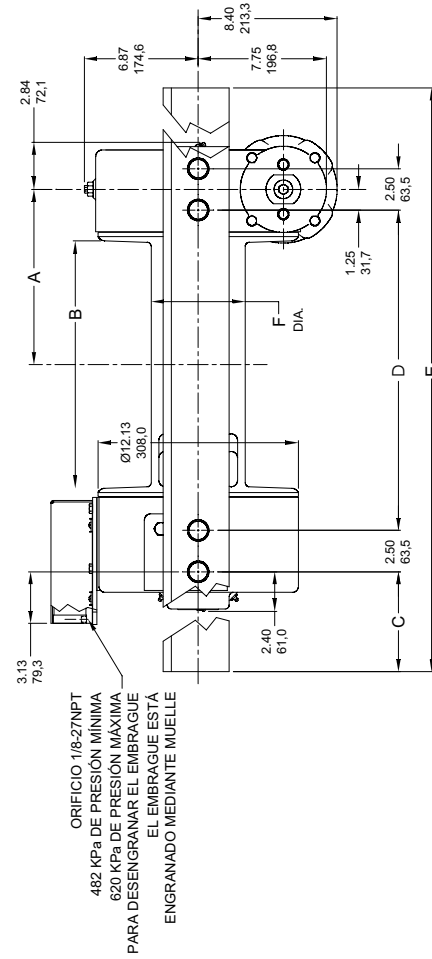
EL CÁRTER DEL EMBRAGUE SE PUEDE GIRAR 180° PARA SER INSTALADO POR EL CLIENTE



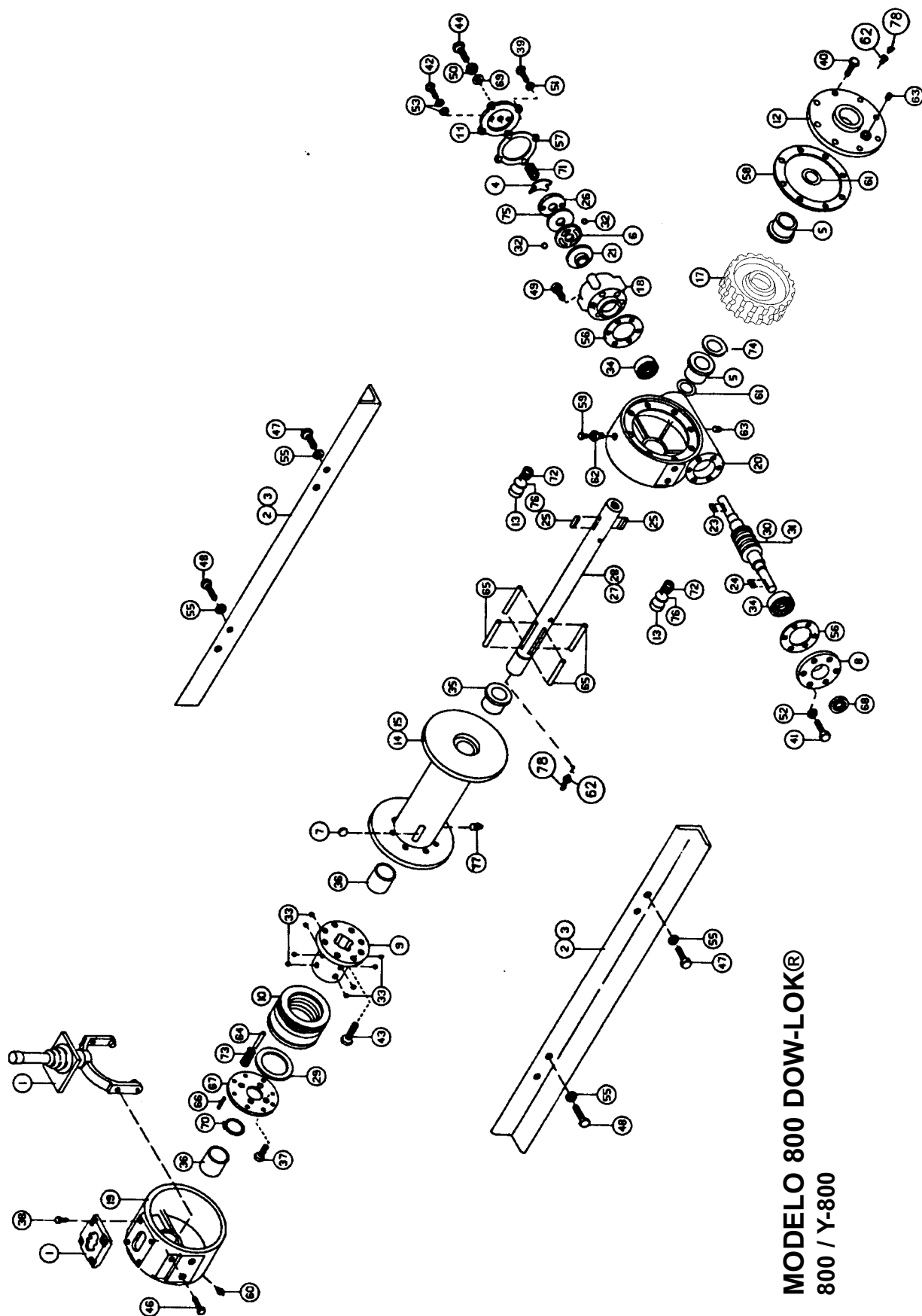
LAS DIMENSIONES SE DAN EN PULGADAS SOBRE MILÍMETROS

MODELO H-800 DOW-LOK® CON CAMBIO NEUMÁTICO

CABESTRANTE MODELO	A PULGADAS MM	B PULGADAS MM	C PULGADAS MM	D PULGADAS MM	E PULGADAS MM	F PULGADAS MM
H-800	10.62 269.7	15.00 381.0	13.81 350.7	19.38 492.2	52.00 1320.8	5.69 144.5
HY-800	7.75 196.8	9.44 239.8	13.68 347.4	13.63 346.2	46.00 1168.4	5.50 139.7



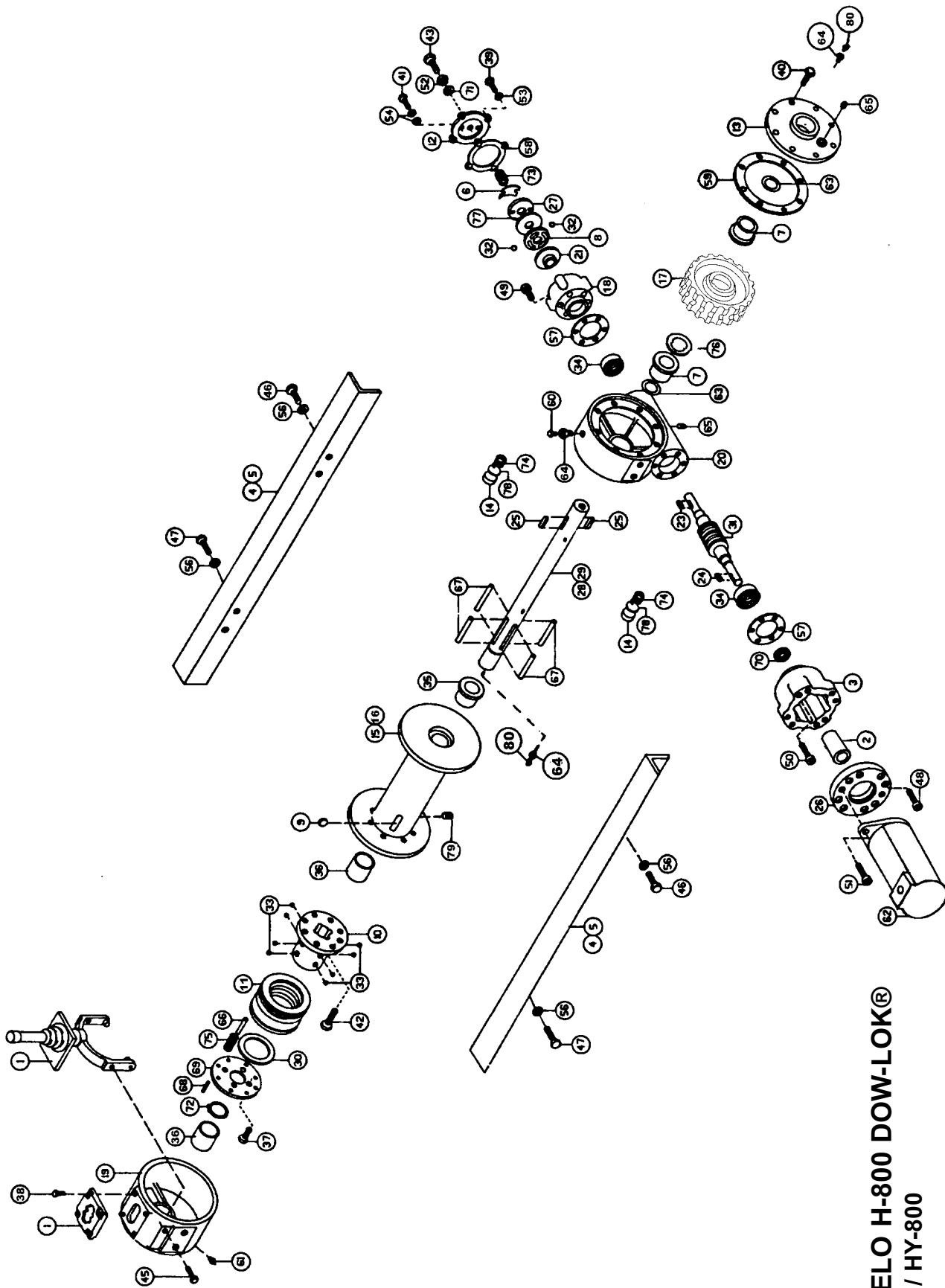
LAS DIMENSIONES SE DAN EN PULGADAS SOBRE MILÍMETROS



MODELO 800 DOW-LOK®
800 / Y-800

LISTA DE PIEZAS MODELO 800 DOW-LOK®

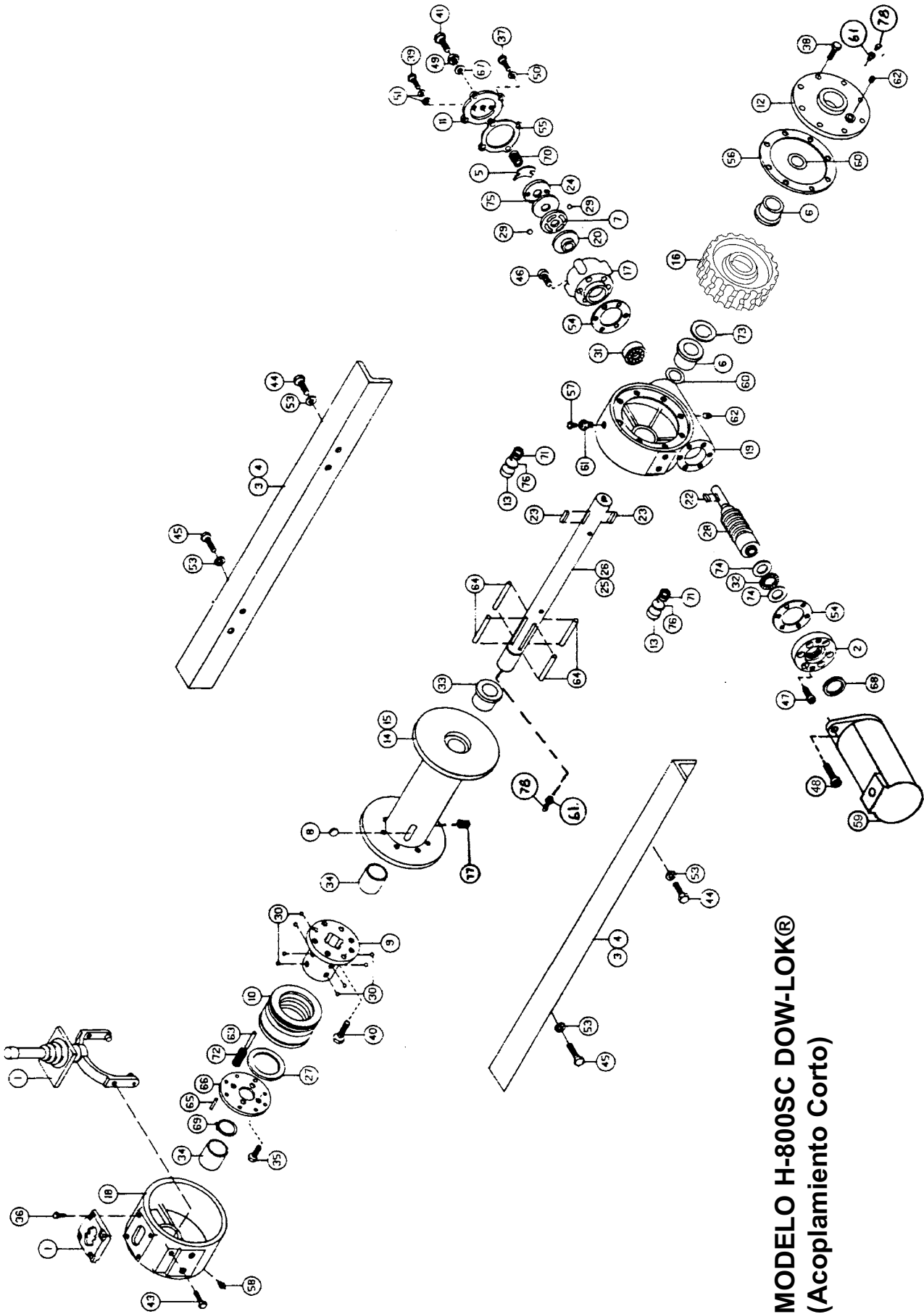
Elmto N°	Cant.	Pieza N°	Descripción
1	1	276033	CONJUNTO DEL CAMBIO
2	2	302093	ESCUADRA – ("Y")
3	2	302111	ESCUADRA – (ESTÁNDAR)
4	1	306035	RESORTE PLANO
5	2	308083	MANGUITO
6	1	314007	PLATO EXÉNTRICO
7	1	314010	ANCLAJE DEL CABLE (TAMBOR "ESTÁNDAR" SOLAMENTE)
8	1	316006	COJINETE DE CASQUETE
9	1	324151	EMBRAGUE
10	1	324318	ANILLO DE CIERRE
11	1	328027	CUBIERTA – FRENO
12	1	328122	CUBIERTA – CAJA DE ENGRANAJES
13	2	330010	ZAPATA – FRENO DE ARRASTRE
14	1	332167	TAMBOR (ESTÁNDAR)
15	1	332172	TAMBOR ("Y")
16	1	334189	ENGRANAJE – Izquierdo
17	1	334188	ENGRANAJE – Derecho
18	1	338221	CAJA – FRENO
19	1	338235	CÁRTER – EMBRAGUE
20	1	338242	CAJA – ENGRANAJE
21	1	340011	BUJE – FRENO
23	1	342053	CHAVETA
24	1	342092	CHAVETA
25	2	342153	CHAVETA
26	1	352021	PLACA – DE RETENCIÓN
27	1	357498	EJE – TAMBOR (ESTÁNDAR)
28	1	357502	EJE – TAMBOR ("Y")
29	1	362224	ESPACIADOR
30	1	368082	ENGRANAJE DE TORNILLO SINFIN – Derecho
31	1	368084	ENGRANAJE DE TORNILLO SINFIN – Izquierdo
32	2	400007	BOLA – FRENO
33	8	400011	BOLA – EMBRAGUE
34	2	402045	COJINETE – BOLA
35	1	412051	MANGUITO
36	2	412052	MANGUITO
37	4	414038	TORNILLO DE CASQUETE 1/4-20NC X 3/4 pulg. DE LARGO, Cabeza hex. Clase 5
38	4	414069	TORNILLO DE CASQUETE 5/16-18NC X 3/4 pulg. DE LARGO, Cabeza hex.
39	4	414111	TORNILLO DE CASQUETE 5/16-18NC X 1 pulg. DE LARGO, Cabeza hex. Clase 5
40	8	414277	TORNILLO DE CASQUETE 3/8-16NC X 1 pulg. DE LARGO, Cabeza hex. Clase 5 NYLOK™
41	6	414282	TORNILLO DE CASQUETE 3/8-16NC X 1-1/4 pulg. DE LARGO, Cabeza hex. Clase 5
42	2	414399	TORNILLO DE CASQUETE 3/8-24NF X 1-1/4 pulg. DE LARGO todo roscado Clase 5
43	8	414571	TORNILLO DE CASQUETE 1/2-20NF X 1 pulg. DE LARGO, Cabeza hex. Clase 5
44	1	414603	TORNILLO DE CASQUETE 1/2-20NF X 1-3/4 pulg. DE LARGO todo roscado Clase 5
46	2	414619	TORNILLO DE CASQUETE 1/2-13NC X 2-1/2 pulg. DE LARGO, Cabeza hex. de zinc todo roscado
47	4	414751	TORNILLO DE CASQUETE 3/4-10NC X 1-3/4 pulg. DE LARGO Clase 5 NYLOK™
48	4	414777	TORNILLO DE CASQUETE 3/4-10NC X 1-3/4 pulg. DE LARGO Clase 5
49	6	414897	TORNILLO DE CASQUETE 3/8-16NC X 1 pulg. DE LARGO cabeza hueca
50	1	418067	CONTRATUERCA HEXAGONAL 1/2-20NF
51	4	418163	ARANDELA DE SEGURIDAD 5/16 MED SECT zinc
52	6	418177	ARANDELA DE SEGURIDAD 3/8 MED SECT zinc
53	4	418184	ARANDELA – PLANA 3/8 aluminio
55	8	418249	ARANDELA DE SEGURIDAD 3/4 MED SECT
56	2	442192	EMPAQUETADURA
57	1	442194	EMPAQUETADURA
58	1	442195	EMPAQUETADURA
59	1	456008	CONEXIÓN – DE ALIVIO
60	1	456031	CONEXIÓN – LUBRICANTE
61	2	462013	ANILLO CUÁDRUPLE
62	3	468002	REDUCTOR
63	2	468011	TAPÓN MACHO ROSCADO PARA TUBOS
64	4	470042	PIVOTE DE RODILLO
65	4	470044	CLAVIJA
66	4	470056	PIVOTE DE RODILLO
67	1	474030	PLACA – DE RETENCIÓN
68	1	486068	JUNTA DE ACEITE
69	1	486076	JUNTA DE ROSCA
70	1	490025	ANILLO DE RETENCIÓN
71	1	494010	MUELLE
72	2	494022	DISCO DE MUELLE
73	4	494069	MUELLE
74	1	518016	ARANDELA DE EMPUJE
75	1	530007	DISCO DEL FRENO
76	2	530094	ESPACIADOR DEL FRENO
77	1	416059	TORNILLO DE CASQUETE (TAMBOR "Y" SOLAMENTE)
78	2	456039	CONEXIÓN – LUBRICANTE



MODELO H-800 DOW-LOK®
H-800 / HY-800

LISTA DE PIEZAS MODELO H-800 DOW-LOK®

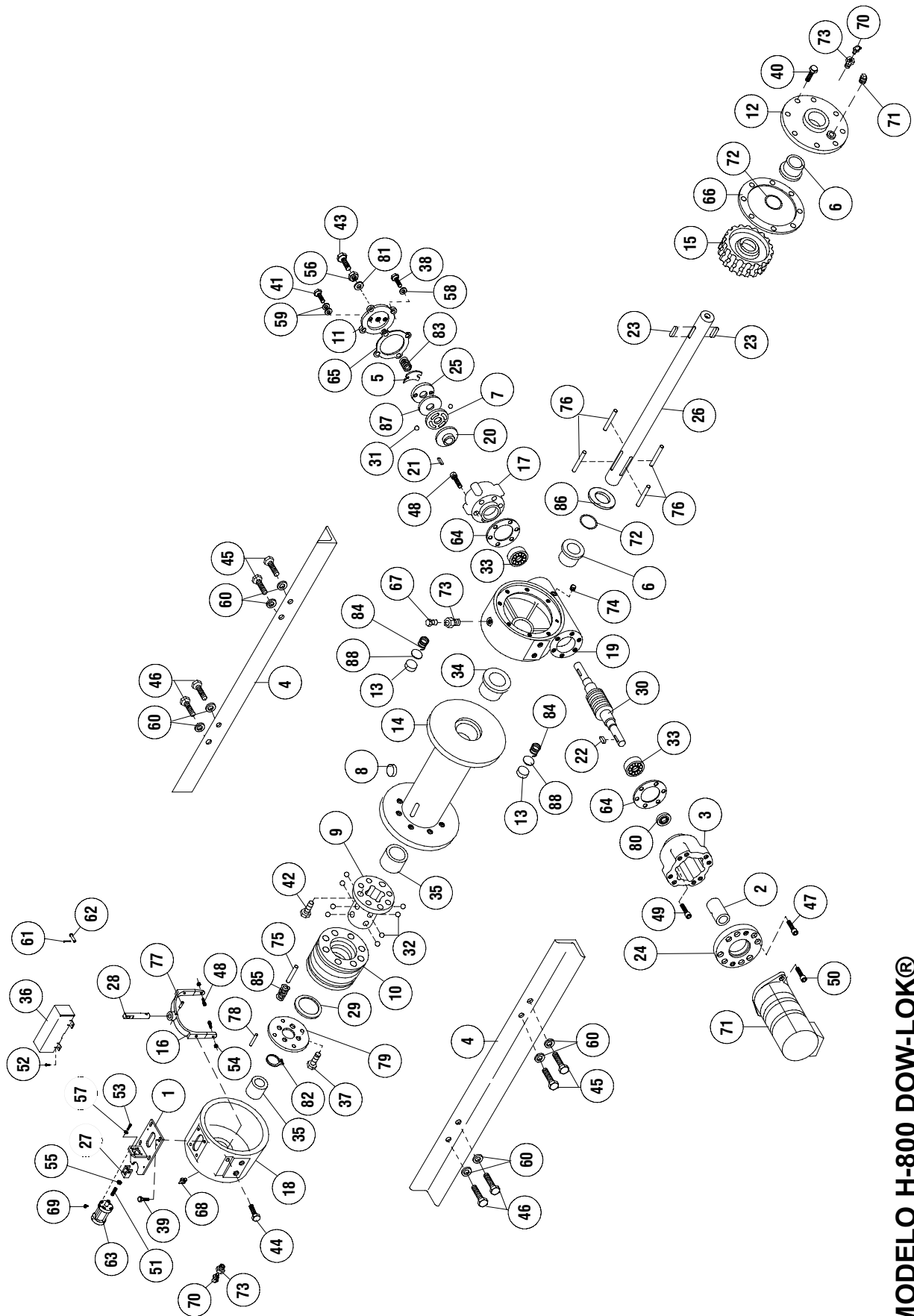
Elmto N°	Cant.	Pieza N°	Descripción
1	1	276033	CONJUNTO DEL CAMBIO
2	1	299733	CONUNTO DE ACOPLAMIENTO
3	1	300048	ADAPTADOR
4	2	302093	ESCUADRA – ("Y")
5	2	302111	ESCUADRA – (ESTÁNDAR)
6	1	306035	MUELLE –PLANO
7	2	308083	MANGUITO
8	1	314007	PLATO EXÉNTRICO
9	1	314010	ANCLAJE DEL CABLE (TAMBOR "ESTÁNDAR" SOLAMENTE)
10	1	324151	EMBRAGUE
11	1	324318	ANILLO DE CIERRE
12	1	328027	CUBIERTA – FRENO
13	1	328122	CUBIERTA – CAJA DE ENGRANAJES
14	2	330010	ZAPATA – FRENO DE ARRASTRE
15	1	332167	TAMBOR (ESTÁNDAR)
16	1	332172	TAMBOR ("Y")
17	1	334188	ENGRANAJE – Derecho
18	1	338221	CAJA – FRENO
19	1	338235	CÁRTER – EMBRAGUE
20	1	338242	CAJA – ENGRANAJE
21	1	340011	BUJE – FRENO
23	1	342053	CHAVETA
24	1	342092	CHAVETA
25	2	342153	CHAVETA
26	1	350535	PLACA – ADAPTADOR HIDRÁULICO
27	1	352021	PLACA – DE RETENCIÓN
28	1	357498	EJE – TAMBOR (ESTÁNDAR)
29	1	357502	EJE – TAMBOR ("Y")
30	1	362224	ESPACIADOR
31	1	368082	ENGRANAJE DE TORNILLO SINFIN DERECHO
32	2	400007	BOLA – FRENO
33	8	400011	BOLA – EMBRAGUE
34	2	402045	COJINETE – BOLA
35	1	412051	MANGUITO
36	2	412052	MANGUITO
37	4	414038	TORNILLO DE CASQUETE 1/4-20NC X 3/4 pulg. DE LARGO, Cabeza hex. Clase 5
38	4	414069	TORNILLO DE CASQUETE 5/16-18NC X 3/4 pulg. DE LARGO, Cabeza hex.
39	4	414111	TORNILLO DE CASQUETE 5/16-18NC X 1 pulg. DE LARGO, Cabeza hex. Clase 5
40	8	414277	TORNILLO DE CASQUETE 3/8-16NC X 1 pulg. DE LARGO, Cabeza hex. Clase 5 NYLOK™
41	2	414399	TORNILLO DE CASQUETE 3/8-24NF X 1-1/4 pulg. DE LARGO todo roscado Clase 5
42	8	414571	TORNILLO DE CASQUETE 1/2-20NF X 1 pulg. DE LARGO, Cabeza hex. Clase 5
43	1	414603	TORNILLO DE CASQUETE 1/2-20NF X 1-3/4 pulg. DE LARGO todo roscado Clase 5
45	2	414619	TORNILLO DE CASQUETE 1/2-13NC X 2-1/2 pulg. DE LARGO, Cabeza hex. de zinc todo roscado
46	4	414751	TORNILLO DE CASQUETE 3/4-10NC X 1-3/4 pulg. DE LARGO Clase 5 NYLOK™
47	4	414777	TORNILLO DE CASQUETE 3/4-10NC X 1-3/4 pulg. DE LARGO Clase 5
48	8	414871	TORNILLO DE CASQUETE 5/16-18NC X 1-1/4 pulg. DE LARGO cabeza hueca LOK-WEL™
49	6	414897	TORNILLO DE CASQUETE 3/8-16NC X 1 pulg. DE LARGO cabeza hueca
50	6	414909	TORNILLO DE CASQUETE 3/8-16NC X 1-3/4 pulg. DE LARGO cabeza hueca LOK-WEL™
51	2	414950	TORNILLO DE CASQUETE 1/2-13NC X 1-3/4 pulg. DE LARGO cabeza hueca LOK-WEL™
52	1	418067	CONTRATUERCA HEXAGONAL 1/2-20NF
53	4	418163	ARANDELA DE SEGURIDAD 5/16 MED SECT zinc
54	4	418184	ARANDELA – PLANA 3/8 aluminio
56	8	418249	ARANDELA DE SEGURIDAD 3/4 MED SECT
57	2	442192	EMPAQUETADURA
58	1	442194	EMPAQUETADURA
59	1	442195	EMPAQUETADURA
60	1	456008	CONEXIÓN – DE ALIVIO
61	1	456031	CONEXIÓN – LUBRICANTE
62	1	458048	MOTOR HIDRÁULICO
63	2	462013	ANILLO CUÁDRUPLE
64	3	468002	REDUCTOR
65	2	468011	TAPÓN MACHO ROSCADO PARA TUBOS
66	4	470042	PIVOTE DE RODILLO
67	4	470044	CLAVIJA
68	4	470056	PIVOTE DE RODILLO
69	1	474030	PLACA – DE RETENCIÓN
70	1	486068	JUNTA DE ACEITE
71	1	486076	JUNTA DE ROSCA
72	1	490025	ANILLO DE RETENCIÓN
73	1	494010	MUELLE
74	2	494022	DISCO DE MUELLE
75	4	494069	MUELLE
76	1	518016	ARANDELA DE EMPUJE
77	1	530007	DISCO DEL FRENO
78	2	530094	ESPACIADOR DEL FRENO
79	1	416059	TORNILLO DE CASQUETE (TAMBOR "Y" SOLAMENTE)
80	2	456039	CONEXIÓN – LUBRICANTE



**MODELO H-800SC DOW-LOK®
(Acoplamiento Corto)**

LISTA DE PIEZAS MODELO H-800SC DOW-LOK® (acoplamiento corto)

Elmto N°	Cant.	Pieza N°	Descripción
1	1	276033	CONJUNTO DEL CAMBIO
2	1	300048	ADAPTADOR
3	2	302093	ESCUADRA – (“Y”)
4	2	302111	ESCUADRA – (ESTÁNDAR)
5	1	306035	MUELLE PLANO
6	2	308083	MANGUITO
7	1	314007	PLATO EXÉNTRICO
8	1	314010	ANCLAJE DEL CABLE (TAMBOR “ESTÁNDAR” SOLAMENTE)
9	1	324151	EMBRAGUE
10	1	324318	ANILLO DE CIERRE
11	1	328027	CUBIERTA – FRENO
12	1	328122	CUBIERTA – CAJA DE ENGRANAJES
13	2	330010	ZAPATA – FRENO DE ARRASTRE
14	1	332167	TAMBOR (ESTÁNDAR)
15	1	332172	TAMBOR (“Y”)
16	1	334188	ENGRANAJE – Derecho
17	1	338221	CAJA – FRENO
18	1	338235	CÁRTER – EMBRAGUE
19	1	338242	CAJA – ENGRANAJE
20	1	340011	BUJE – FRENO
22	1	342053	CHAVETA
23	2	342153	CHAVETA
24	1	352021	PLACA – DE RETENCIÓN
25	1	357498	EJE – TAMBOR (ESTÁNDAR)
26	1	357502	EJE – TAMBOR (“Y”)
27	1	362224	ESPACIADOR
28	1	368196	ENGRANAJE DE TORNILLO SINFIN DERECHO
29	2	400007	BOLA – FRENO
30	8	400011	BOLA – EMBRAGUE
31	2	402045	COJINETE – BOLA
32	1	402109	COJINETE DE EMPUJE
33	1	412051	MANGUITO
34	2	412052	MANGUITO
35	4	414038	TORNILLO DE CASQUETE 1/4-20NC X 3/4 pulg. DE LARGO, Cabeza hex. Clase 5
36	4	414069	TORNILLO DE CASQUETE 5/16-18NC X 3/4 pulg. DE LARGO, Cabeza hex.
37	4	414111	TORNILLO DE CASQUETE 5/16-18NC X 1 pulg. DE LARGO, Cabeza hex. Clase 5
38	8	414277	TORNILLO DE CASQUETE 3/8-16NC X 1 pulg. DE LARGO, Cabeza hex. Clase 5 NYLOK™
39	2	414399	TORNILLO DE CASQUETE 3/8-24NF X 1-1/4 pulg. DE LARGO todo roscado Clase 5
40	8	414571	TORNILLO DE CASQUETE 1/2-20NF X 1 pulg. DE LARGO, Cabeza hex. Clase 5
41	1	414603	TORNILLO DE CASQUETE 1/2-20NF X 1-3/4 pulg. DE LARGO todo roscado Clase 5
43	2	414619	TORNILLO DE CASQUETE 1/2-13NC X 2-1/2 pulg. DE LARGO, Cabeza hex. de zinc todo roscado
44	4	414751	TORNILLO DE CASQUETE 3/4-10NC X 1-3/4 pulg. Clase 5 NYLOK™
45	4	414777	TORNILLO DE CASQUETE 3/4-10NC X 1-3/4 pulg. Clase 5
46	6	414897	TORNILLO DE CASQUETE 3/8-16NC X 1 pulg. DE LARGO cabeza hueca
47	6	414913	TORNILLO DE CASQUETE 3/8-16NC X 1-1/4 pulg. DE LARGO cabeza hueca LOK-WEL™
48	2	414952	TORNILLO DE CASQUETE 1/2-13NC X 1-1/2 pulg. DE LARGO cabeza hueca LOK-WEL™
49	1	418067	CONTRATUERCA HEXAGONAL 1/2-20NF
50	4	418163	ARANDELA DE SEGURIDAD 5/16 MED SECT zinc
51	4	418184	ARANDELA – PLANA 3/8 aluminio
53	8	418249	ARANDELA DE SEGURIDAD 3/4 MED SECT
54	2	442192	EMPAQUETADURA
55	1	442194	EMPAQUETADURA
56	1	442195	EMPAQUETADURA
57	1	456008	CONEXIÓN – DE ALIVIO
58	1	456031	CONEXIÓN – LUBRICANTE
59	1	458048	MOTOR HIDRÁULICO
60	2	462013	ANILLO CUADRUPLE
61	3	468002	REDUCTOR
62	2	468011	TAPÓN MACHO ROSCADO PARA TUBOS
63	4	470042	PIVOTE DE RODILLO
64	4	470044	CLAVIJA
65	4	470056	PIVOTE DE RODILLO
66	1	474030	PLACA – DE RETENCIÓN
67	1	486076	PLACA – DE RETENCIÓN
68	1	486079	JUNTA AUXILIAR
69	1	490025	ANILLO DE RETENCIÓN
70	1	494010	MUELLE
71	2	494022	DISCO DE MUELLE
72	4	494069	MUELLE
73	1	518016	ARANDELA DE EMPUJE
74	2	518036	ARANDELA DE EMPUJE
75	1	530007	DISCO DEL FRENO
76	2	530094	ESPACIADOR DEL FRENO
77	1	416059	TORNILLO DE CASQUETE (TAMBOR “Y” SOLAMENTE)
78	2	456039	CONEXIÓN – LUBRICANTE



**MODELO H-800 DOW-LOK®
CON CAMBIO NEUMÁTICO**

LISTA DE PIEZAS MODELO H-800 DOW-LOK® CON CAMBIO NEUMÁTICO

Elmto N°	Cant.	Pieza N°	Descripción
1	1	299695	CONJUNTO DE SOPORTE DE CAMBIO NEUMÁTICO
2	1	299733	CONUNTO DE ACOPLAMIENTO
3	1	300048	ADAPTADOR
4	2	302093	ESCUADRA – (“Y”)
	2	302111	ESCUADRA – (ESTÁNDAR)
5	1	306035	MUELLE PLANO
6	2	308083	MANGUITO
7	1	314007	PLATO EXENTRICO
8	1	314010	ANCLAJE DEL CABLE (TAMBOR “ESTÁNDAR” SOLAMENTE)
	1	416059	TORNILLO DE CASQUETE (TAMBOR “Y” SOLAMENTE)
9	1	324151	EMBRAGUE
10	1	324318	ANILLO DE CIERRE
11	1	328027	CUBIERTA – FRENO
12	1	328122	CUBIERTA – CAJA DE ENGRANAJES
13	2	330010	ZAPATA – FRENO DE ARRASTRE
14	1	332167	TAMBOR (ESTÁNDAR)
	1	332172	TAMBOR (“Y”)
15	1	334188	ENGRANAJE – Derecho
16	1	370047	BALANCÍN
17	1	338221	CAJA – FRENO
18	1	338235	CÁRTER – EMBRAGUE
19	1	338242	CAJA – ENGRANAJE
20	1	340011	BUJE – FRENO
21	1	342053	CHAVETA
22	1	342092	CHAVETA
23	2	342153	CHAVETA
24	1	350535	PLACA – ADAPTADOR HIDRÁULICO
25	1	352021	PLACA – DE RETENCIÓN
26	1	357498	EJE – TAMBOR (ESTÁNDAR)
	1	357502	EJE – TAMBOR (“Y”)
27	1	358067	HORQUILLA
28	1	358069	EJE DEL CAMBIO
29	1	362224	ESPACIADOR
30	1	368082	ENGRANAJE DE TORNILLO SINFIN DERECHO
31	2	400007	BOLA – FRENO
32	8	400011	BOLA – EMBRAGUE
33	2	402045	COJINETE – BOLA
34	1	412051	MANGUITO
35	2	412052	MANGUITO
36	1	413074	CUBIERTA – EJE NEUMÁTICO
37	4	414038	TORNILLO DE CASQUETE 1/4-20NC X 3/4 pulg. DE LARGO, Cabeza hex. Clase 5
38	4	414111	TORNILLO DE CASQUETE 5/16-18NC X 1 pulg. DE LARGO, Cabeza hex. Clase 5
39	4	414126	TORNILLO DE CASQUETE 5/16-18NC X 3/4 pulg. DE LARGO, Cabeza hex.
40	8	414277	TORNILLO DE CASQUETE 3/8-16NC X 1 pulg. DE LARGO, Cabeza hex. Clase 5 NYLOK™
41	2	414399	TORNILLO DE CASQUETE 3/8-24NF X 1-1/4 pulg. DE LARGO todo roscado Clase 5
42	8	414571	TORNILLO DE CASQUETE 1/2-20NF X 1 pulg. DE LARGO, Cabeza hex. Clase 5
43	1	414603	TORNILLO DE CASQUETE 1/2-20NF X 1-3/4 pulg. DE LARGO todo roscado Clase 5
44	2	414619	TORNILLO DE CASQUETE 1/2-13NC X 2-1/2 pulg. DE LARGO, Cabeza hex. de zinc todo roscado
45	4	414751	TORNILLO DE CASQUETE 3/4-10NC X 1-3/4 pulg. Clase 5 NYLOK™
46	4	414777	TORNILLO DE CASQUETE 3/4-10NC X 1-3/4 pulg. Clase 5
47	8	414871	TORNILLO DE CASQUETE 5/16-18NC X 1-1/4 pulg. DE LARGO cabeza hueca LOK-WEL™
48	6	414897	TORNILLO DE CASQUETE 3/8-16NC X 1 pulg. DE LARGO cabeza hueca
49	6	414909	TORNILLO DE CASQUETE 3/8-16NC X 1-3/4 pulg. DE LARGO cabeza hueca LOK-WEL™
50	2	414950	TORNILLO DE CASQUETE 1/2-13NC X 1-3/4 pulg. DE LARGO cabeza hueca LOK-WEL™
51	1	416061	TORNILLO FIADOR 3/8-24NF X 1-1/4 pulg. DE LARGO
52	4	416214	TORNILLO #10-32NF X 1/4 pulg. DE LARGO de zinc, cabeza redonda
53	4	416262	TORNILLO #10-32NF X 3/4 pulg. DE LARGO de zinc, Cabeza hex. hueca
54	2	418035	TUERCA HEXAGONAL REG 3/8-16NC zinc
55	1	418041	CONTRATUERCA HEXAGONAL 3/8-24NF
56	1	418067	CONTRATUERCA HEXAGONAL 1/2-20NF
57	4	418141	ARANDELA DE SEGURIDAD #10 MED SECT zinc
58	4	418163	ARANDELA DE SEGURIDAD 5/16 MED SECT zinc
59	4	418184	ARANDELA – PLANA 3/8 aluminio
60	8	418249	ARANDELA DE SEGURIDAD 3/4 MED SECT
61	1	424005	PASADOR DE CHAVETA
62	1	424029	PASADOR DE HORQUILLA
63	1	433016	CILINDRO DE AIRE
64	2	442192	EMPAQUETADURA
65	1	442194	EMPAQUETADURA
66	1	442195	EMPAQUETADURA
67	1	456008	CONEXIÓN – DE ALIVIO
68	1	456031	CONEXIÓN – LUBRICANTE
69	1	456038	AGUJERO DE VENTILACIÓN
70	2	456039	CONEXIÓN – LUBRICANTE
71	1	458048	MOTOR HIDRÁULICO
72	2	462013	ANILLO CUÁDRUPLE
73	3	468002	REDUCTOR
74	2	468011	TAPÓN MACHO ROSCADO PARA TUBOS
75	4	470042	PIVOTE DE RODILLO
76	4	470044	CLAVIJA
77	1	470045	PIVOTE DE RODILLO
78	4	470056	PIVOTE DE RODILLO
79	1	474030	PLACA – DE RETENCIÓN
80	1	486068	JUNTA DE ACEITE
81	1	486076	JUNTA DE ROSCA
82	1	490025	ANILLO DE RETENCIÓN
83	1	494010	MUELLE
84	2	494022	DISCO DE MUELLE
85	4	494069	MUELLE
86	1	518016	ARANDELA DE EMPUJE
87	1	530007	DISCO DEL FRENO
88	2	530094	ESPACIADOR DEL FRENO