

DOLLY MOUNTS

MANUAL

EDITION-1 VOLUME-1



**COVERING MODELS: ITD1348, ITD1349, ITD4665, ITD1064, ITD1065,
ITD1162, ITD1182, ITD1023, ITD1350, & ITD1347**

**VISIT OUR WEBSITE!
IN THE DITCH.COM**



**PHONE: 1-208-587-7960
EMAIL: sales@intheditch.com**

MANUAL INFORMATION

INTRODUCTION

Everyone here at In The Ditch™ would like to thank you for your recent purchase of one of our products, and tell you congratulations! Our passion is to provide our customers with the best products and parts money can buy, as well as serve the towing industry and our local community here in Mountain Home, Idaho! Without support from valued customers such as yourselves, our business, as well as the people who work for it, wouldn't survive. We hope you find our products useful, and get the most out of every experience with them. Thank you!



ATTENTION

This manual should be read carefully. It contains important information that needs to be fully understood and followed in order to ensure that the In The Ditch Products discussed in this manual are used properly so as to ensure the safety of all persons (e.g. operators, customers, bystanders).

CONTENTS

- **WARRANTY INFORMATION**—————4

- **ITD1348 - SPEED® MOUNT / ITD1349 - INTEGRATED SPEED® MOUNT** —————6
 - REPLACEMENT PARTS**—————6
 - ITD1349 - INTEGRATED SPEED® MOUNT—————6
 - ITD1348 - SPEED® MOUNT—————6
 - INSTALLATION / OPERATION**—————7
 - MOUNTING—————7
 - OPERATION—————7
 - FOR INTEGRATED SPEED® MOUNT—————8

- **ITD4665 L-R - MODULAR SPEED® MOUNT**—————10
 - REPLACEMENT PARTS**—————10
 - INSTALLATION / OPERATION**—————11
 - ASSEMBLY—————11
 - MOUNTING—————11
 - OPERATION—————12
 - ADDITIONAL ACCESSORIES—————13

- **ITD1064, ITD1065 - SD & XD™ DROP DOWN DOLLY BOX**—————14
 - REPLACEMENT PARTS**—————14
 - INSTALLATION / OPERATION**—————15
 - MOUNTING—————15
 - ASSEMBLY—————16

- **ITD1162, ITD1182 - SD & XD™ UNIVERSAL DOLLY MOUNT**—————18
 - REPLACEMENT PARTS**—————18
 - INSTALLATION / OPERATION**—————19
 - MOUNTING—————19
 - OPERATION—————20

- **ITD1023 - PRO SERIES™ DOLLY BUNKS**—————22
 - REPLACEMENT PARTS**—————22
 - INSTALLATION / OPERATION**—————23
 - MOUNTING—————23

- **ITD1350 - TILT-N-SLIDE**—————24
 - REPLACEMENT PARTS**—————24
 - INSTALLATION / OPERATION**—————25
 - MOUNTING—————25

- **ITD1347 - CAR CARRIER DOLLY MOUNT**—————26
 - REPLACEMENT PARTS**—————26
 - INSTALLATION / OPERATION**—————27
 - ASSEMBLY—————27
 - MOUNTING—————28
 - OPERATION—————28

WARRANTY INFORMATION

ITD0688R3

Limited Warranty

In The Ditch Towing Products (also referred to herein as ITD) warrants to the original purchaser that new ITD manufactured goods will be free from defects in material and workmanship for a period of twelve (12) months from the date placed in service. The purchaser must promptly notify ITD in writing of any failure in material or workmanship. In no event shall ITD accept such notification later than twelve (12) months from the date placed in service.

ITD's obligation under this warranty, statutory or otherwise, is limited to the repair or replacement at the ITD factory, or at a point designated by ITD, of such part or parts as shall appear upon inspection by ITD to be defective in material or workmanship. This warranty is not transferable. This warranty does not obligate ITD to bear the cost of labor or transportation charges in connection with the repair or replacement of any part(s) found to be defective, nor shall it apply to a product upon which repairs or alterations have been made unless such repairs or alterations were authorized by ITD.

Except as expressly set forth in this warranty, ITD makes no other warranty, express or implied, and hereby disclaims all other warranties including, but not limited to, the implied warranties of merchantability and fitness for a particular purpose. ITD shall in no event be liable for any claims for downtime, loss of profits or goodwill, or any claims for other special, incidental, indirect, or consequential damages concerning or relating to any product or parts, whether based on negligence, strict liability, breach of contract, breach of warranty, misrepresentation, or any other legal theory, regardless of whether the loss resulted from any general or particular requirement which ITD knew or had reason to know about at the time of sale.

ITD makes no warranty, express or implied, as to the finished products manufactured or supplied by another manufacturer and supplied by ITD to purchaser, including, but not limited to, any vehicle to which an ITD product may be affixed or any accessories, and ITD expressly disclaims any implied warranties of merchantability and fitness for a particular purpose as to such equipment or products. This language shall in no way affect or diminish the rights of the purchaser to rely on such warranties as are extended by such manufacturers or suppliers. ITD shall, to the extent permitted under applicable law, pass on to the purchaser such manufacturer's or seller's warranty.

The customer must obtain and present a written authorization number from ITD prior to any work beginning, and the customer agrees to bear all costs. Please note: Merchandise covered by a manufacturer's warranty must be sent directly to the manufacturer for replacement or repair. ITD, whose policy is one of continuous improvement, reserves the right to improve its products through changes in design or materials as it may deem desirable without being obligated to incorporate such changes in any products previously sold.

This warranty is not intended to cover and shall not apply or include the following items, which are set forth by way of example only: normal deterioration of trim, paint, lettering, appearance of items due to wear or exposure to weather, road conditions, road treatments, etc.; any damage or defect due to accident, misuse, abuse, operation exceeding rated loads, improper or unauthorized repairs, failure to provide reasonable and necessary maintenance, or uses in respect of which the equipment was not designed or intended; alterations or modifications that affect performance, operations, or reliability.

It is expressly understood that ITD makes no implied or express warranty that ITD manufactured goods shall be fit for the purpose of lifting or moving people or for any other improper use. Field modification of this unit without the advice and written consent of the ITD Engineering Department will void all warranties and any guarantees pertaining to both purchased components used in the manufacture of this unit, as well as structurally fabricated parts supplied by ITD. Use of other than factory or factory authorized parts will render the warranty void.

Notice to Owner or User

It is very important that you properly fill out your product registration form at registration.intheditch.com to register your equipment. By submitting the information within 15 days of your purchase, your warranty will be validated, ensuring that your equipment will be protected subject to the terms and conditions set out herein. In the event we need to contact you concerning your registered equipment, Product Updates, Service Bulletins, or Product Recalls, the information you have provided on the product registration form will ensure your immediate notification. Do your part and let us help you by filling out your product registration form.

Installation Guidelines

Due to variances in manufacturers' wrecker bodies, truck bodies and mounting surfaces, ITD cannot provide explicit mounting requirements for every mounting option. These instructions are to serve only as a guideline. Final installation requirements are left to the discretion of a qualified installer.

Assumption of Risk

Towing and recovery (collectively "Towing") is by nature an inherently dangerous activity. As a consequence, towing operators assume the risk of serious injury or death. ITD products are only intended to be used solely by towing operators who have the requisite training and experience who not only understand the proper use of the product/s but also fully understand all risks associated with towing.

If you do not have the requisite experience and training as a towing operator DO NOT USE these products.

WARRANTY INFORMATION

ITD0688R3

Inspection

- ITD requires that each operator of a truck or transport vehicle perform a detailed circle check before and after each use of the truck or transport vehicle. This inspection must include the power unit, the towing unit, and all items installed on the unit.
- Do not take chances with your life or other people's lives. Make sure all items are secured and in safe working order.
- Always inspect products for any signs of paint cracking, metal fatigue or premature wear.
- Maintain a visual inspection along with grabbing the products and wiggling or pulling on it to make sure there is no way anything can become dislodged from its mount.
- Remove from service immediately if repairs are needed. Do not take chances.

Paint, Powder Coated and Polished Finishes:

The ITD warranty does not cover coatings or finishes, of powder coated products, galvanized products, zinc plated products, bare aluminum products, polished or non-polished stainless steel products or finishes. This includes, but is not limited to, scratches, peeling, chipping, hazing, dulling of finish or surface.

Modifications to ITD Products

- DO NOT modify or tamper with any ITD Product. Doing so will void any applicable warranty and may result in serious injury or death.
- Warranties will be voided if any ITD Product is modified or tampered with.

Securement

- The driver/operator must verify that all hardware is secure and tight. This includes, but is not limited to, mounting hardware and retaining systems.
- It is the driver /operator's responsibility to ensure that nothing can come loose from any part of the truck or transport vehicle or the vehicle being towed. It is the operator's responsibility to make sure that all items are in good working order and are properly secured.
- Only a qualified installer should mount ITD equipment. It is the installer's responsibility to ensure mounts are secure.
- It is the operator's responsibility to ensure his or her load is secured properly to the mounts.
- ITD recommends taking this approach to load/product securement:
 1. Imagine if you took your truck and turned it upside down. Nothing should fall out of or off of the truck.
 2. Now imagine if you stood the truck on the end where the front bumper was facing straight up into the sky. Nothing should fall out of or off the truck.
 3. Now imagine the rear bumper was facing the sky. Nothing should fall out of or off of the truck.

Mix and Matching of different Manufacturer's Products

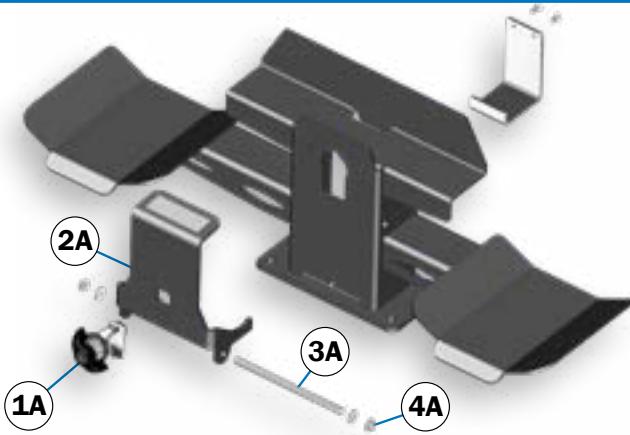
- Only use In The Ditch brand mounts with In The Ditch Products.
- Only use In The Ditch brand replacement parts for In The Ditch brand products.
- Failure to do so may result in voiding any applicable warranty and serious bodily injury or death.



ITD1348 - SPEED® MOUNT

ITD1349 - INTEGRATED SPEED® MOUNT

REPLACEMENT PARTS



ITD1348 - SPEED® MOUNT

MIXING & MATCHING PRODUCTS

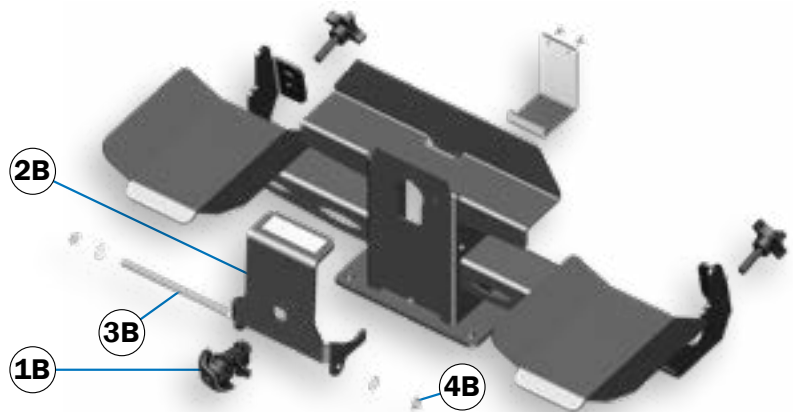
- Only use In The Ditch brand mounts with your In The Ditch Products.
- Only use In The Ditch brand replacement parts for your In The Ditch brand products.

ID	PART #	DESCRIPTION	QTY.
1A	ITD7020	SM- Southco Lock (E3-158-15)	1
2A	ITD6838-06	SM- Latch Door	1
3A	ITD6843-03	SM- Hinge Pin	1
4A	ITD7080	5/16" Steel Push Cap	2

ITD1349 - INTEGRATED SPEED® MOUNT

MIXING & MATCHING PRODUCTS

- Only use In The Ditch brand mounts with your In The Ditch Products.
- Only use In The Ditch brand replacement parts for your In The Ditch brand products.



ID	PART #	DESCRIPTION	QTY.
1B	ITD7020	SM- Southco Lock (E3-158-15)	1
2B	ITD6838-06	SM- Latch Door	1
3B	ITD6843-03	SM- Hinge Pin	1
4B	ITD7080	5/16" Steel Push Cap	2

Failure to follow the safety guidelines listed may result in voiding any applicable warranty, serious bodily injury, or death.

It is very important that you properly fill out your product registration form at registration.intheditch.com to register your equipment. By submitting the information within 15 days of your purchase, your warranty will be validated, ensuring that your equipment will be protected subject to the terms and conditions set out herein. In the event we need to contact you concerning your registered equipment, Product Updates, Service Bulletins, or Product Recalls, the information you have provided on the product registration form will ensure your immediate notification. Do your part and let us help you by filling out your product registration form.

ITD1348 - SPEED® MOUNT / ITD1349 - INTEGRATED SPEED® MOUNT

INSTALLATION / OPERATION

⚠️ Due to variances in manufacturers' wrecker bodies, truck bodies and mounting surfaces, ITD cannot provide explicit mounting requirements for every mounting option. These instructions are to serve only as a guideline. Final installation requirements are left to the discretion of a qualified installer.

MOUNTING

⚠️ Always mount to a flat, level surface. Do not mount at an angle!

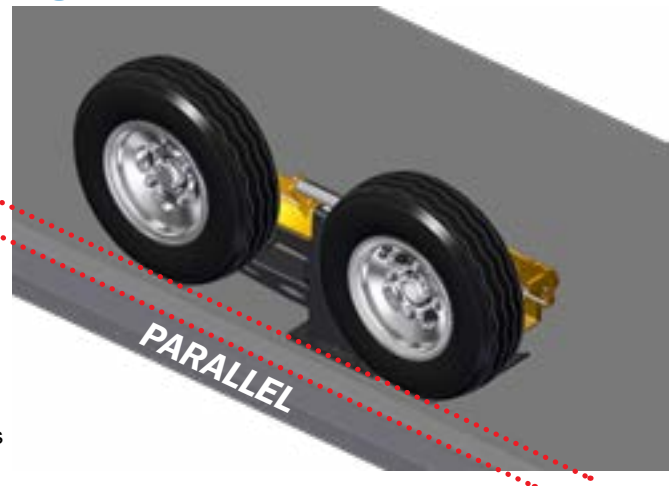
RECOMMENDED HARDWARE (NOT INCLUDED)

- 4 - 5/16" Grade 5 Bolts
- 4 - 5/16" Nuts
- 8 - 5/16" Washers

MOUNTING LOCATION

- Place Speed® Mount parallel to bed rail, such that tire of Dolly does not protrude outside of the body of the truck. *Fig. 1*

Fig. 1



OPERATION

⚠️ ITD Brand Dollies, Axles, Mounts, and related products are intended to be used solely by towing operators who have the requisite training and experience. If you do not have the requisite experience and training as a towing operator DO NOT USE these products.

1 OPEN POSITION

- Use this position for loading and unloading of Dolly. *Fig. 2*
(DO NOT travel with the mount in the "open" position!)

⚠️ DO NOT travel with the mount in the "open" position!

2 TO CLOSE

- Place the latch door into the close position. *Fig. 3-A & 3-B*
- Rotate the latch mechanism 180°, until positive stop has been reached. The latch has a vise action mechanism that can make it difficult to rotate for the last 60°. *Fig. 3-C*

3 CLOSED POSITION

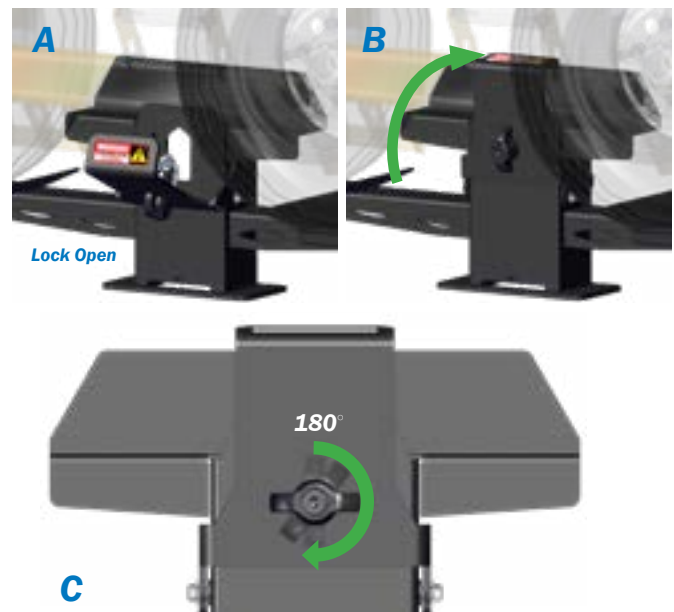
⚠️ Speed® Mount **MUST** be in closed position before travel!

- Mount may be locked in position for security of your Dolly.

Fig. 2



Fig. 3



⚠️ Failure to follow the safety guidelines listed may result in voiding any applicable warranty, serious bodily injury, or death.

⚠️ It is very important that you properly fill out your product registration form at registration.intheditch.com to register your equipment. By submitting the information within 15 days of your purchase, your warranty will be validated, ensuring that your equipment will be protected subject to the terms and conditions set out herein. In the event we need to contact you concerning your registered equipment, Product Updates, Service Bulletins, or Product Recalls, the information you have provided on the product registration form will ensure your immediate notification. Do your part and let us help you by filling out your product registration form.

ITD1348 - SPEED® MOUNT / ITD1349 - INTEGRATED SPEED® MOUNT

FOR INTEGRATED SPEED® MOUNT

• The latch mechanism works in the exact same way as the ITD1348 latch works, but in addition to the front latching mechanism, you also have a cradle on the rear of the mount where you may place your dolly break over bar, and one of your dollies axles.

⚠️ • If you have an axle placed inside the Integrated Speed Mount, you must always have a dolly placed inside the cradle, as well as the latch door in the closed & locked position before traveling.

• To secure a dolly break-over bar inside the integrated speed mount, place it into the channel at the back of the mount, and tighten the securement knobs. **Fig. 4-A, 4-B, & 4-C**

⚠️ SECUREMENT It is the driver / operator's responsibility to ensure that nothing can come loose from any part of the truck or transport vehicle, or the vehicle being towed. It is the operator's responsibility to make sure that all items are in good working order and are properly secured!

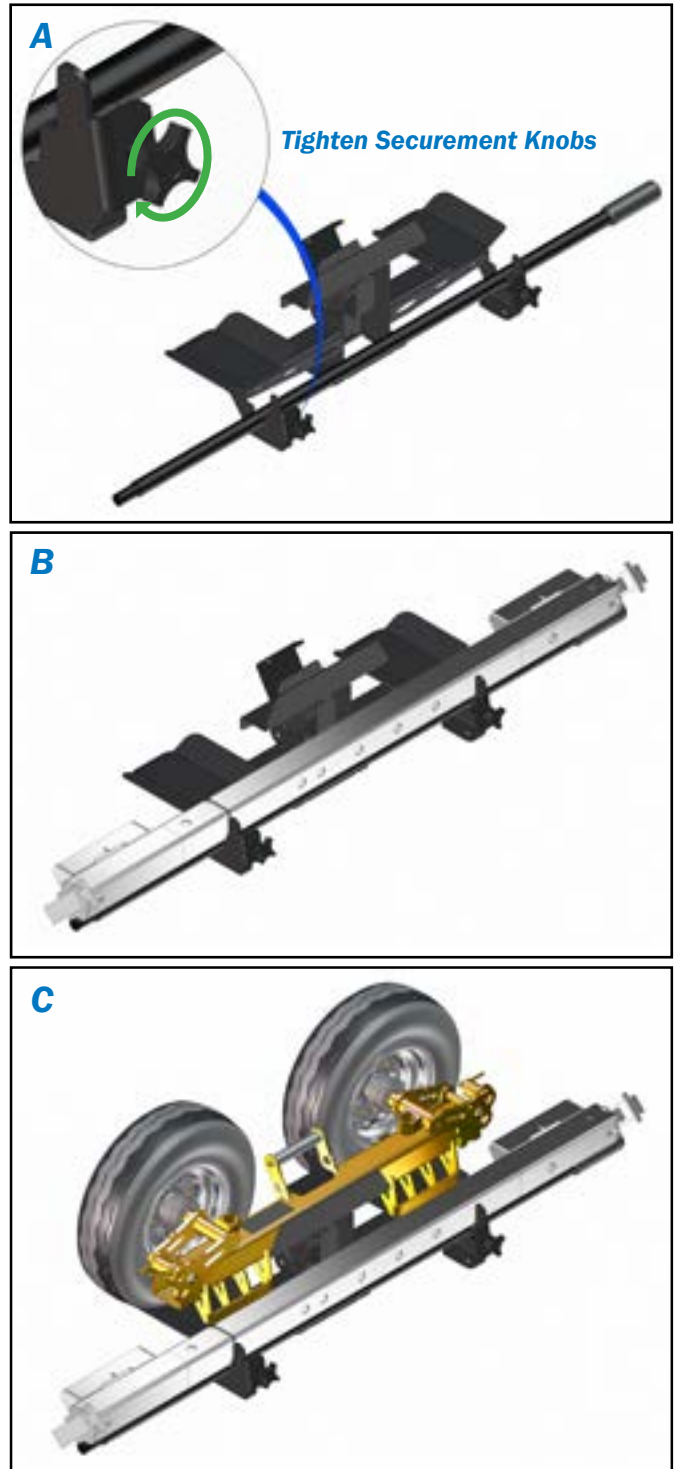
⚠️ MODIFICATION **DO NOT** modify or tamper with any ITD product. Doing so will void any applicable warranty and may result in serious injury or death. • Warranties will be voided if any ITD Product is modified or tampered with!

⚠️ INSPECTION ITD requires that each operator of a truck or transport vehicle perform a detailed circle check before and after each use of the truck or transport vehicle. This inspection must include the power unit, the towing unit, and all items installed on the unit.

- Do not take chances with your life or other people's lives. Make sure all items are secured and in safe working order.
- Always inspect products for any signs of paint cracking, metal fatigue or premature wear.
- Maintain a visual inspection along with grabbing the products and wiggling or pulling on it to make sure there is no way anything can become dislodged from it's mount.
- Remove from service immediately if repairs are needed. Do not take chances.

⚠️ • ALWAYS FOLLOW STATE & LOCAL GUIDELINES!

Fig. 4



⚠️ Failure to follow the safety guidelines listed may result in voiding any applicable warranty, serious bodily injury, or death.

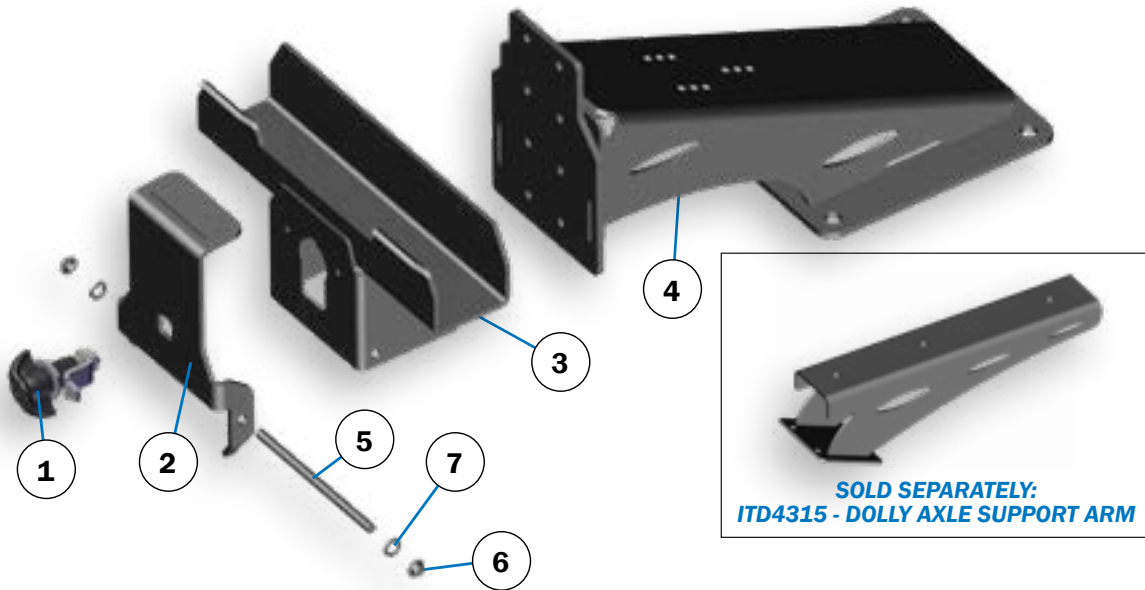
⚠️ It is very important that you properly fill out your product registration form at registration.intheditch.com to register your equipment. By submitting the information within 15 days of your purchase, your warranty will be validated, ensuring that your equipment will be protected subject to the terms and conditions set out herein. In the event we need to contact you concerning your registered equipment, Product Updates, Service Bulletins, or Product Recalls, the information you have provided on the product registration form will ensure your immediate notification. Do your part and let us help you by filling out your product registration form.

ITD1348 - SPEED[®] MOUNT / ITD1349 - INTEGRATED SPEED[®] MOUNT

PAGE INTENTIONALLY LEFT BLANK

ITD4665 L-R - MODULAR SPEED® MOUNT

REPLACEMENT PARTS



ID	PART #	DESCRIPTION	QTY.
1	ITD7020	Vise Action Lock	1
2	ITD4345-01	Locking Door	1
3	ITD2031	Cradle Head	1
4	ITD4350-L OR R	Main Body	1
5	ITD6843-03	Aluminum Pin	1
6	ITD7080	Push Cap	2
7	N/A	3/8" AN Washer	2
8	ITD4315	Dolly Axle Support Arm	1

MIXING & MATCHING PRODUCTS

- Only use In The Ditch brand mounts with your In The Ditch Products.
- Only use In The Ditch brand replacement parts for your In The Ditch brand products.


MODIFICATION *DO NOT* modify or tamper with any ITD product. Doing so will void any applicable warranty and may result in serious injury or death. • Warranties will be voided if any ITD Product is modified or tampered with!

Failure to follow the safety guidelines listed may result in voiding any applicable warranty, serious bodily injury, or death.

It is very important that you properly fill out your product registration form at registration.intheditch.com to register your equipment. By submitting the information within 15 days of your purchase, your warranty will be validated, ensuring that your equipment will be protected subject to the terms and conditions set out herein. In the event we need to contact you concerning your registered equipment, Product Updates, Service Bulletins, or Product Recalls, the information you have provided on the product registration form will ensure your immediate notification. Do your part and let us help you by filling out your product registration form.

ITD4665 L-R - MODULAR SPEED® MOUNT

INSTALLATION / OPERATION

 Due to variances in manufacturers' wrecker bodies, truck bodies and mounting surfaces, ITD cannot provide explicit mounting requirements for every mounting option. These instructions are to serve only as a guideline. Final installation requirements are left to the discretion of a qualified installer.

ASSEMBLY

HARDWARE (INCLUDED)

- 4 - 5/16 Flange Bolts
- 4 - 5/16 Flange Nuts

1 ATTACH MAIN BODY TO DOLLY CRADLE

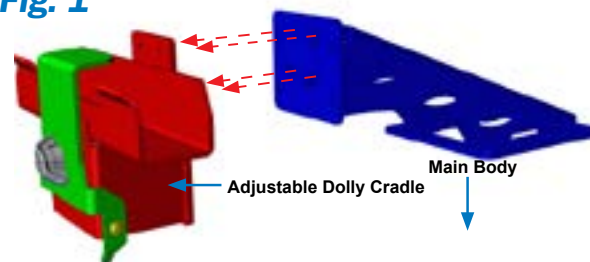
Your Modular Speed® Mount comes with the nuts and bolts required to bolt the adjustable dolly cradle, to the Main Body. We recommend that before completely tightening your Speed® Mount, that you follow the mounting instructions and make sure it is properly placed on your truck.

Fig. 1

FOR EASE OF USE, FOLLOW MOUNTING INSTRUCTIONS BEFORE FULLY TIGHTENING!



Fig. 1



MOUNTING

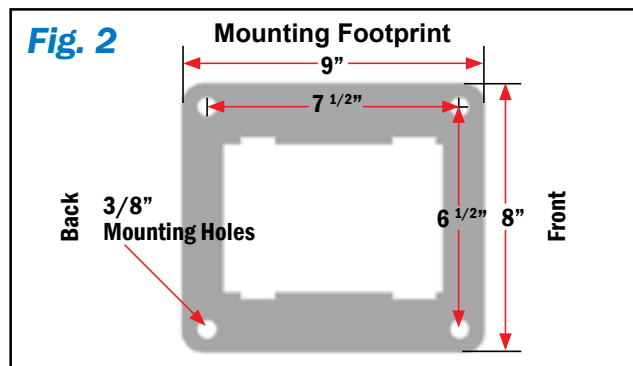
RECOMMENDED HARDWARE (NOT INCLUDED)

- 4 - 3/8" Bolts (Length depends on mounting location)
- 4 - 3/8" Nylock Nuts
- 8 - 3/8" Flat Washers

1 MOUNTING LOCATION


 Always mount to a flat, level surface. Do not mount at an angle!

Depending on where you are mounting your Modular Speed® Mount to the back of your truck, you should choose a location that has a very sturdy mounting surface for you to drill into, as well as a place that will allow you to take advantage of any accessory you bought with the Modular Speed® Mount. Fig. 2



CONTINUED ON PG. 12

 Failure to follow the safety guidelines listed may result in voiding any applicable warranty, serious bodily injury, or death.

 It is very important that you properly fill out your product registration form at registration.intheditch.com to register your equipment. By submitting the information within 15 days of your purchase, your warranty will be validated, ensuring that your equipment will be protected subject to the terms and conditions set out herein. In the event we need to contact you concerning your registered equipment, Product Updates, Service Bulletins, or Product Recalls, the information you have provided on the product registration form will ensure your immediate notification. Do your part and let us help you by filling out your product registration form.

ITD4665 L-R - MODULAR SPEED® MOUNT

MOUNTING CONTINUED...

2 ADJUST HEIGHT & ANGLE

Adjust the height and angle of the Modular Speed® Mount according to your individual truck body, and ITD Dolly. Make sure to account for the addition of any other optional accessories that you may want to mount with it. *Fig. 3 & Fig. 4*

3 TIGHTEN MOUNTING HARDWARE

After establishing your correct mounting location, and properly adjusting your Modular Speed® Mount, Make sure to tighten all hardware used to mount it to the back of your vehicle!

SECUREMENT *It is the driver / operator's responsibility to ensure that nothing can come loose from any part of the truck or transport vehicle, or the vehicle being towed. It is the operator's responsibility to make sure that all items are in good working order and are properly secured!*

Fig. 3 0° - 22° Angle of Adjustment

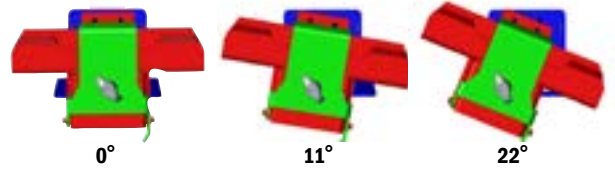
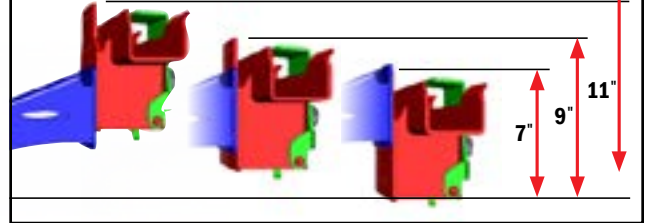


Fig. 4 7" to 11" (2 Inch Incremental Adjustment)



OPERATION

1 OPEN POSITION

• Use this position for loading and unloading of Dolly. *Fig. 5-A*

DO NOT travel with the mount in the "open" position!

2 TO CLOSE

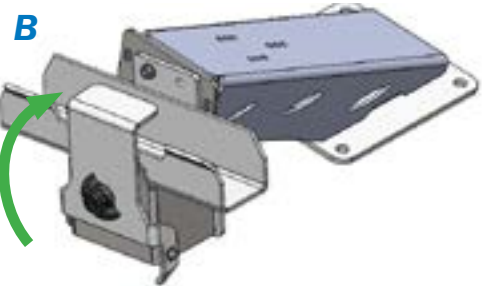
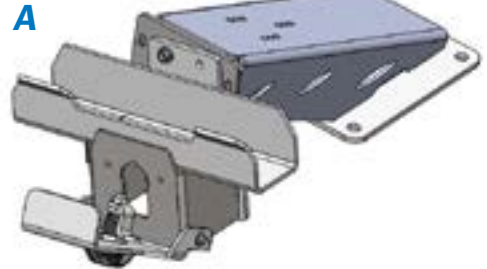
• Place the latch door into the close position.
• Rotate the latch mechanism 180°, until positive stop has been reached. The latch has a vise action mechanism that can make it difficult to rotate for the last 60°. *Fig. 5-B & 5-C*

3 CLOSED POSITION

• Mount may be locked in position for security of your Dolly.

SPEED® Mount MUST be in closed position before travel!

Fig. 5



Failure to follow the safety guidelines listed may result in voiding any applicable warranty, serious bodily injury, or death.

It is very important that you properly fill out your product registration form at registration.intheditch.com to register your equipment. By submitting the information within 15 days of your purchase, your warranty will be validated, ensuring that your equipment will be protected subject to the terms and conditions set out herein. In the event we need to contact you concerning your registered equipment, Product Updates, Service Bulletins, or Product Recalls, the information you have provided on the product registration form will ensure your immediate notification. Do your part and let us help you by filling out your product registration form.

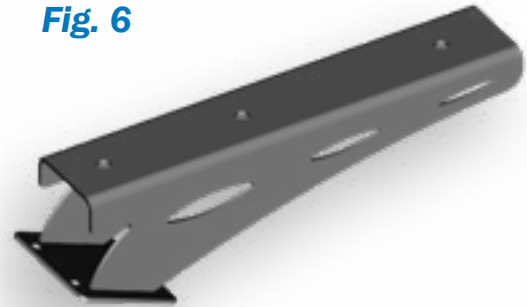
ITD4665 L-R - MODULAR SPEED® MOUNT

ADDITIONAL ACCESSORIES

ITD4315 AXLE SUPPORT ARM

The ITD4315 Optional Axle Support Arm is an accessory that you can purchase for your Modular Speed® Mount, that allows you to install other accessories that make mounting dollies and dolly accessories to the back of your truck much easier. *Fig. 6*

Fig. 6



ITD4315 OPTIONAL AXLE SUPPORT ARM INSTALLATION

To Install the ITD4315 Optional Axle Support Arm, use the provided hardware and tighten to the back of your Modular Speed® Mount. *Fig. 7*

Fig. 7



ITD4315 SUPPORT ARM COMPATIBLE ACCESSORIES

- ITD1026 Single Axle Rack
- ITD1027 Double Axle Rack
- ITD1242 W-Mount

Fig. 8

Fig. 8



⚠️ MODIFICATION *DO NOT modify or tamper with any ITD product. Doing so will void any applicable warranty and may result in serious injury or death. • Warranties will be voided if any ITD Product is modified or tampered with!*

⚠️ INSPECTION *ITD requires that each operator of a truck or transport vehicle perform a detailed circle check before and after each use of the truck or transport vehicle. This inspection must include the power unit, the towing unit, and all items installed on the unit.*

• *Do not take chances with your life or other people's lives. Make sure all items are secured and in safe working order.*

• *Always inspect products for any signs of paint cracking, metal fatigue or premature wear.*

• *Maintain a visual inspection along with grabbing the products and wiggling or pulling on it to make sure there is no way anything can become dislodged from it's mount.*

• *Remove from service immediately if repairs are needed. Do not take chances.*

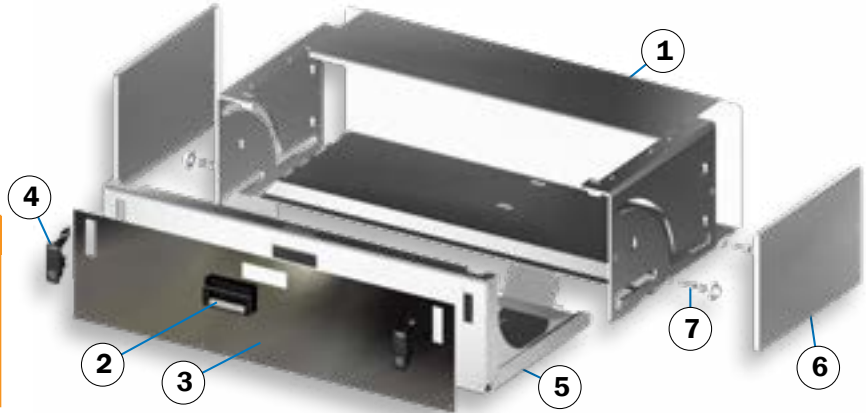
⚠️ • **ALWAYS FOLLOW STATE & LOCAL GUIDELINES!**

⚠️ Failure to follow the safety guidelines listed may result in voiding any applicable warranty, serious bodily injury, or death.

⚠️ It is very important that you properly fill out your product registration form at registration.intheditch.com to register your equipment. By submitting the information within 15 days of your purchase, your warranty will be validated, ensuring that your equipment will be protected subject to the terms and conditions set out herein. In the event we need to contact you concerning your registered equipment, Product Updates, Service Bulletins, or Product Recalls, the information you have provided on the product registration form will ensure your immediate notification. Do your part and let us help you by filling out your product registration form.

ITD1064, ITD1065 - SD & XD™ DROP DOWN DOLLY BOX REPLACEMENT PARTS

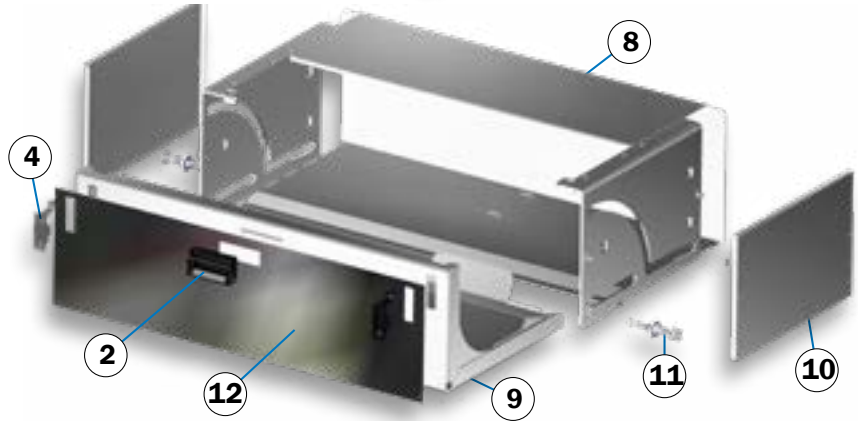
SD ITD1064



MIXING & MATCHING PRODUCTS

- Only use In The Ditch brand mounts with your In The Ditch Products.
- Only use In The Ditch brand replacement parts for your In The Ditch brand products.

XD™ ITD1065



MIXING & MATCHING PRODUCTS

- Only use In The Ditch brand mounts with your In The Ditch Products.
- Only use In The Ditch brand replacement parts for your In The Ditch brand products.


ID	PART #	DESCRIPTION	QTY.
1	ITD6950	Dolly Box Outer Case Assembly	1
2	ITD7028	Plastic Pull Handle	1
3	ITD6965-01	Stainless Steel Panel	1
4	ITD7027	Compression Latch	2
5	ITD6955-01	Dolly Box Inner Tray	1
6	ITD6958-02	Dust Cap Panel	2
7	ITD1317	SD Dolly Box Composite Bearing	4
8	ITD6316	XD Dolly Box-Outer Case Assembly	1
9	ITD6317	XD Dolly Box Inner Tray	1
10	ITD6323	XD Dolly Box Dust Cover	2
11	ITD1318	XD Dolly Box Composite Bearing	4
12	ITD6318	XD Dolly Box Stainless Front Cover	1

Failure to follow the safety guidelines listed may result in voiding any applicable warranty, serious bodily injury, or death.

It is very important that you properly fill out your product registration form at registration.intheditch.com to register your equipment. By submitting the information within 15 days of your purchase, your warranty will be validated, ensuring that your equipment will be protected subject to the terms and conditions set out herein. In the event we need to contact you concerning your registered equipment, Product Updates, Service Bulletins, or Product Recalls, the information you have provided on the product registration form will ensure your immediate notification. Do your part and let us help you by filling out your product registration form.

ITD1064, ITD1065 - SD & XD™ DROP DOWN DOLLY BOX

INSTALLATION / OPERATION

 Due to variances in manufacturers' wrecker bodies, truck bodies and mounting surfaces, ITD cannot provide explicit mounting requirements for every mounting option. These instructions are to serve only as a guideline. Final installation requirements are left to the discretion of a qualified installer.

MOUNTING

RECOMMENDED HARDWARE (NOT INCLUDED)

- 6 - 3/8" Bolts (Grade 5 or better)
- 12 - 3/8" Fender Washers
- 12 - 3/8" Washers
- 6 - 3/8" Nuts (Grade 5 or better)

1 FINE TUNE MOUNTING POSITION

 Always mount to a flat, level surface. Do not mount at an angle!

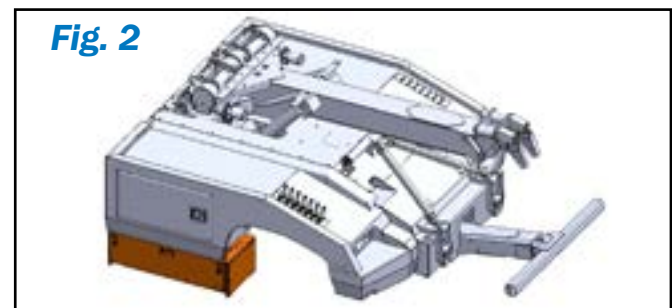
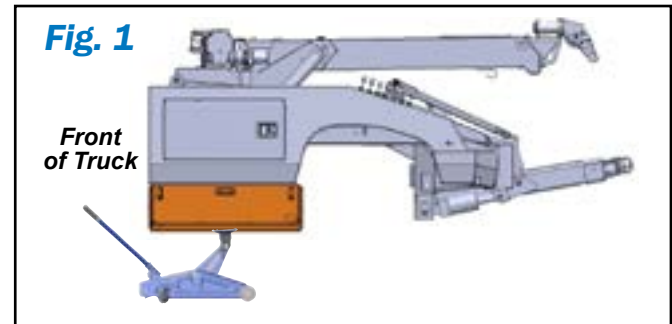
To ease placement, utilize a floor jack to hold the unit up while fine tuning the final mounting position of the Dolly Box. *Fig. 1*


2 CHECK FITMENT


In order to properly install the Dolly Box, the front edge of the mount, must be flush with the edge of the toolbox. *Fig. 2*


3 DRILL HOLES

Mark the spots where you want to drill the hole for mounting your box, and drill them out. (Refer to measurements listed above.)




 ITD Brand Dollies, Axles, Mounts, and related products are intended to be used solely by towing operators who have the requisite training and experience. If you do not have the requisite experience and training as a towing operator DO NOT USE these products.

 **SECUREMENT** It is the driver / operator's responsibility to ensure that nothing can come loose from any part of the truck or transport vehicle, or the vehicle being towed. It is the operator's responsibility to make sure that all items are in good working order and are properly secured!

 **MODIFICATION** DO NOT modify or tamper with any ITD product. Doing so will void any applicable warranty and may result in serious injury or death. • Warranties will be voided if any ITD Product is modified or tampered with!

 • ALWAYS FOLLOW STATE & LOCAL GUIDELINES!

 Failure to follow the safety guidelines listed may result in voiding any applicable warranty, serious bodily injury, or death.

 It is very important that you properly fill out your product registration form at registration.intheditch.com to register your equipment. By submitting the information within 15 days of your purchase, your warranty will be validated, ensuring that your equipment will be protected subject to the terms and conditions set out herein. In the event we need to contact you concerning your registered equipment, Product Updates, Service Bulletins, or Product Recalls, the information you have provided on the product registration form will ensure your immediate notification. Do your part and let us help you by filling out your product registration form.

ITD1064, ITD1065 - SD & XD™ DROP DOWN DOLLY BOX

ASSEMBLY

4 ASSEMBLE BEARINGS

Use the lists located inside **Fig. 3** and **Fig. 4** to assemble and install the bearings used to slide the drawer of the dolly box out and in.

5 INSTALL DUST COVERS

Use 5/16"-18 X1" Button head screws to attach the dust covers to the sides of the Dolly Box. Use locktite when tightening to make sure they don't vibrate lose as you're traveling down the road. **Fig. 5**

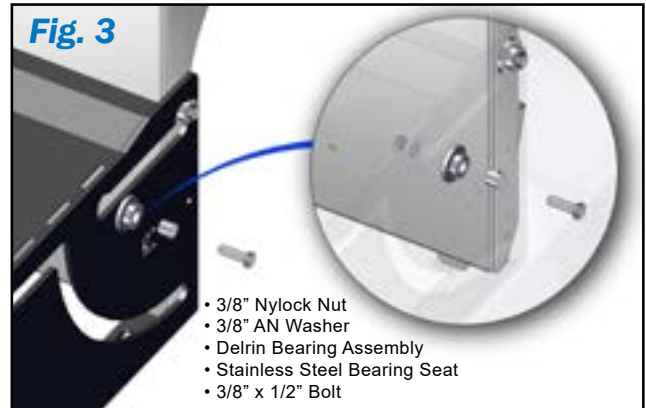
6 LATCH ADJUSTMENT

Leave 1/16" Gap between Latch & Striker. **Fig. 6**

INSPECTION ITD requires that each operator of a truck or transport vehicle perform a detailed circle check before and after each use of the truck or transport vehicle. This inspection must include the power unit, the towing unit, and all items installed on the unit.

- Do not take chances with your life or other people's lives. Make sure all items are secured and in safe working order.
- Always inspect products for any signs of paint cracking, metal fatigue or premature wear.
- Maintain a visual inspection along with grabbing the products and wiggling or pulling on it to make sure there is no way anything can become dislodged from it's mount.
- Remove from service immediately if repairs are needed. Do not take chances.

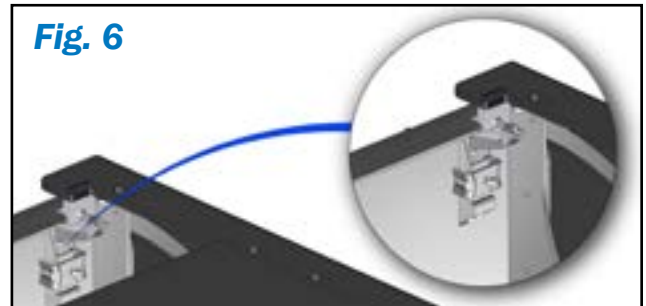
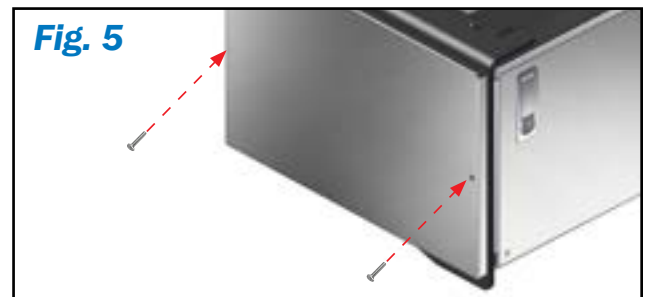
DO NOT OVER TIGHTEN!



ITD1064 SD DROP DOWN DOLLY BOX



ITD1065 XD DROP DOWN DOLLY BOX



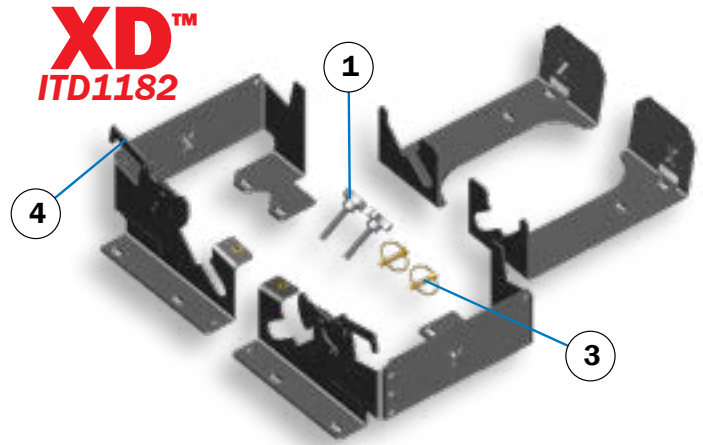
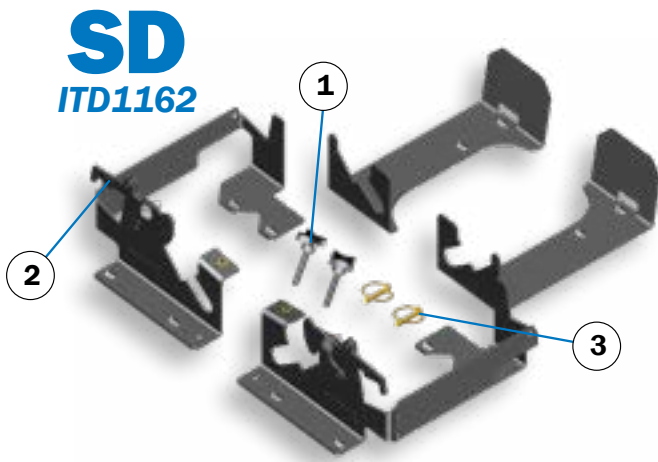
Failure to follow the safety guidelines listed may result in voiding any applicable warranty, serious bodily injury, or death.

It is very important that you properly fill out your product registration form at registration.intheditch.com to register your equipment. By submitting the information within 15 days of your purchase, your warranty will be validated, ensuring that your equipment will be protected subject to the terms and conditions set out herein. In the event we need to contact you concerning your registered equipment, Product Updates, Service Bulletins, or Product Recalls, the information you have provided on the product registration form will ensure your immediate notification. Do your part and let us help you by filling out your product registration form.

ITD1064, ITD1065 - SD & XD™ DROP DOWN DOLLY BOX

PAGE INTENTIONALLY LEFT BLANK

ITD1162, ITD1182 - SD & XD™ UNIVERSAL DOLLY MOUNT REPLACEMENT PARTS



ID	PART #	DESCRIPTION	QTY.
1	ITD7049	Axle Rack Knob (3/8"-16x2-1/2")	1
2	ITD6653	Universal Mount-Latch	1
3	ITD7099	5/16" Lynch Pin	1
4	ITD6570	XD Universal Mount-Latch	1

MIXING & MATCHING PRODUCTS

- Only use In The Ditch brand mounts with your In The Ditch Products.
- Only use In The Ditch brand replacement parts for your In The Ditch brand products.

MODIFICATION *DO NOT* modify or tamper with any ITD product. Doing so will void any applicable warranty and may result in serious injury or death. • Warranties will be voided if any ITD Product is modified or tampered with!

Failure to follow the safety guidelines listed may result in voiding any applicable warranty, serious bodily injury, or death.

It is very important that you properly fill out your product registration form at registration.intheditch.com to register your equipment. By submitting the information within 15 days of your purchase, your warranty will be validated, ensuring that your equipment will be protected subject to the terms and conditions set out herein. In the event we need to contact you concerning your registered equipment, Product Updates, Service Bulletins, or Product Recalls, the information you have provided on the product registration form will ensure your immediate notification. Do your part and let us help you by filling out your product registration form.

ITD1162, ITD1182 - SD & XD™ UNIVERSAL DOLLY MOUNT

INSTALLATION / OPERATION

⚠️ *Due to variances in manufacturers' wrecker bodies, truck bodies and mounting surfaces, ITD cannot provide explicit mounting requirements for every mounting option. These instructions are to serve only as a guideline. Final installation requirements are left to the discretion of a qualified installer.*

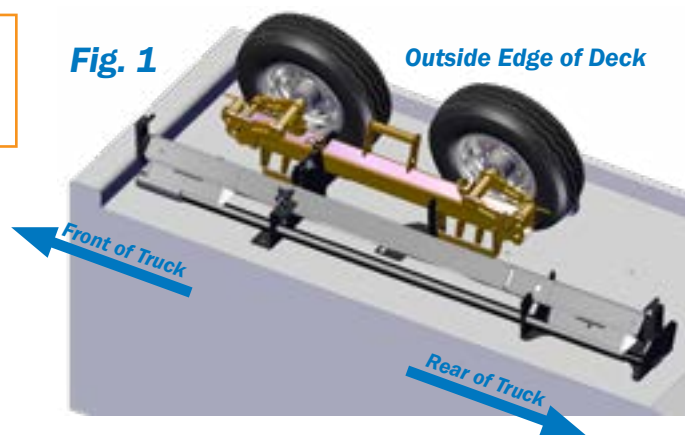
MOUNTING

RECOMMENDED HARDWARE (NOT INCLUDED)

- 12 - 3/8" Bolts (Grade 5 or better)
- 12 - 3/8" Washers
- 12 - 3/8" Lock Washers

1 CORRECT MOUNTING ORIENTATION

Make sure when installing your Universal Dolly Mount, that you pay attention to the orientation of the Dollies, Axles, and Break-Over Bar. The dolly should always be facing outward towards the edge of the deck, and the latch should be on the cab side of the mount. Not making sure that your products are correctly oriented could result in serious injury or death! **Fig. 1**



⚠️ *Always mount to a flat, level surface. Do not mount at an angle!*

2 JERR-DAN MOUNTING (MPL, MPL40, ELEMENT)

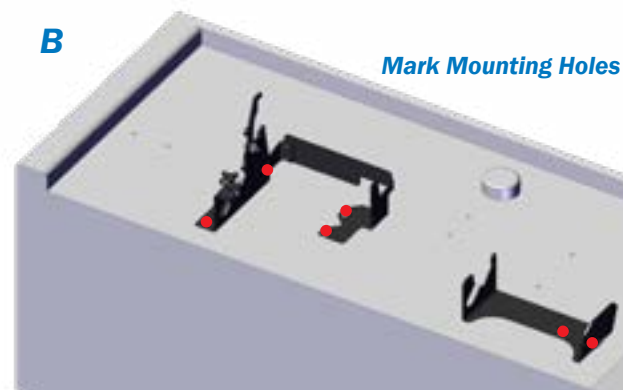
Simply use 3/8" bolts, lock washers, and washers to attach to standard bolt hole pattern pre-drilled into wrecker body.

Fig. 2



3 UNIVERSAL MOUNTING

- Place mount on deck with product installed. Use Axle & Break-Over Bar to align the Axle Support. **Fig. 2-A**
- Mark and drill six (6) mounting holes per side. Use 3/8" bolts, washers, lock washer, and/or locking nut. **Fig. 2-B**



⚠️ **SECUREMENT** *It is the driver / operator's responsibility to ensure that nothing can come loose from any part of the truck or transport vehicle, or the vehicle being towed. It is the operator's responsibility to make sure that all items are in good working order and are properly secured!*

⚠️ **Failure to follow the safety guidelines listed may result in voiding any applicable warranty, serious bodily injury, or death.**

⚠️ It is very important that you properly fill out your product registration form at registration.intheditch.com to register your equipment. By submitting the information within 15 days of your purchase, your warranty will be validated, ensuring that your equipment will be protected subject to the terms and conditions set out herein. In the event we need to contact you concerning your registered equipment, Product Updates, Service Bulletins, or Product Recalls, the information you have provided on the product registration form will ensure your immediate notification. Do your part and let us help you by filling out your product registration form.

ITD1162, ITD1182 - SD & XD™ UNIVERSAL DOLLY MOUNT

OPERATION

1 OPEN POSITION

- Use this position for loading and unloading of Dollies & accessories

Fig. 3-A

⚠ DO NOT travel with the mount in the “open” position!

2 LOCKED POSITION

- Place the latch door into the close position.
- Make sure to secure the latch with a lynch pin before proceeding to travel.
- Make sure that the Break-Over Bar retention knob is completely tightened down, and that there is no chance it could fall out. *Fig. 3-B*

3 TRAVEL

- Your Universal Dolly Mount must be in the closed position before travel, with either a lock, or the included lynch pin securely closed, and the Break-Over Bar retention knob completely tightened before traveling!!

Fig. 3-C

⚠ Universal Mount MUST be in closed position before travel!

⚠ INSPECTION ITD requires that each operator of a truck or transport vehicle perform a detailed circle check before and after each use of the truck or transport vehicle. This inspection must include the power unit, the towing unit, and all items installed on the unit.

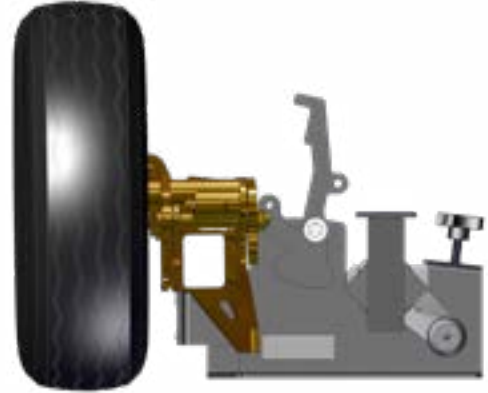
- Do not take chances with your life or other people's lives. Make sure all items are secured and in safe working order.
- Always inspect products for any signs of paint cracking, metal fatigue or premature wear.
- Maintain a visual inspection along with grabbing the products and wiggling or pulling on it to make sure there is no way anything can become dislodged from it's mount.
- Remove from service immediately if repairs are needed. Do not take chances.

⚠ ITD Brand Dollies, Axles, Mounts, and related products are intended to be used solely by towing operators who have the requisite training and experience. If you do not have the requisite experience and training as a towing operator DO NOT USE these products.

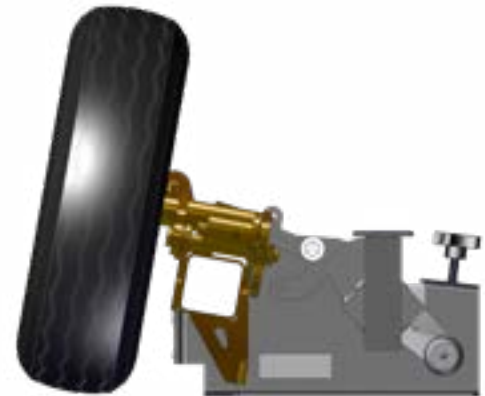
⚠ ALWAYS FOLLOW STATE & LOCAL GUIDELINES!

Fig. 3

A



B



C



⚠ Failure to follow the safety guidelines listed may result in voiding any applicable warranty, serious bodily injury, or death.

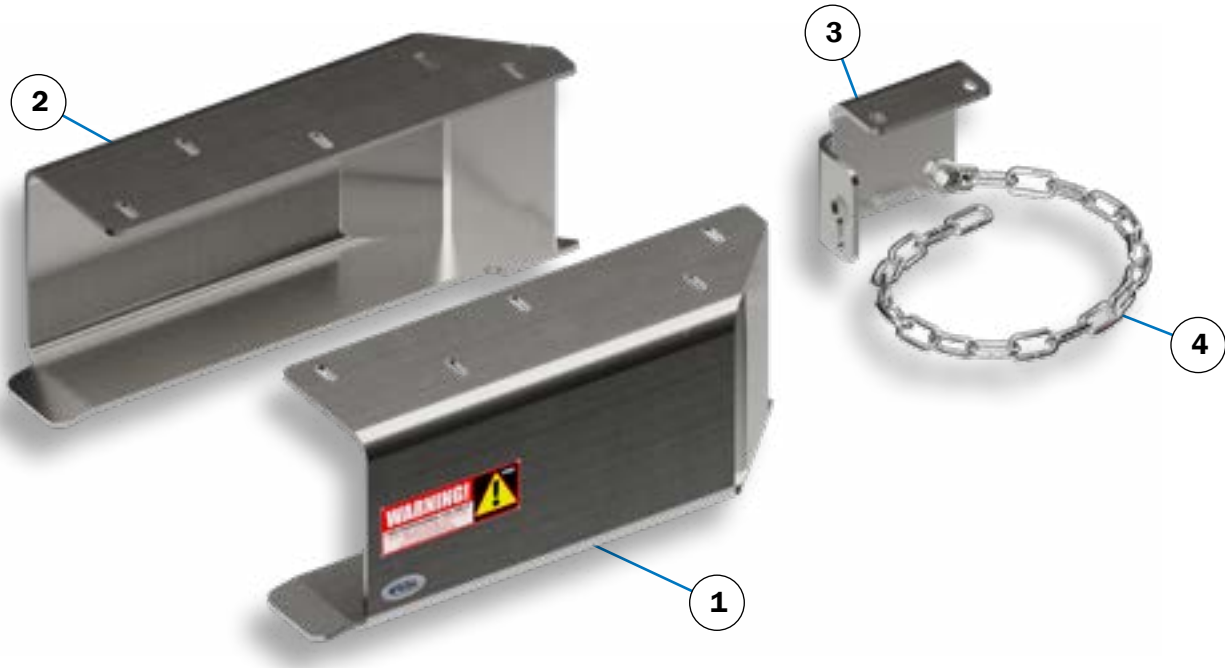
⚠ It is very important that you properly fill out your product registration form at registration.intheditch.com to register your equipment. By submitting the information within 15 days of your purchase, your warranty will be validated, ensuring that your equipment will be protected subject to the terms and conditions set out herein. In the event we need to contact you concerning your registered equipment, Product Updates, Service Bulletins, or Product Recalls, the information you have provided on the product registration form will ensure your immediate notification. Do your part and let us help you by filling out your product registration form.

ITD1162, ITD1182 - SD & XD™ UNIVERSAL DOLLY MOUNT

PAGE INTENTIONALLY LEFT BLANK

ITD1023 - PRO SERIES™ DOLLY BUNKS

REPLACEMENT PARTS



ID	PART #	DESCRIPTION	QTY.
1	ITD4452	Dolly Bunk Left Side Weldment	1
2	ITD4453	Dolly Bunk Right Side Weldment	1
3	ITD6663-02	Alum Dolly Bunk Center Latch	1
4	ITD7061	3/16" x 21" Steel Chain	1

MIXING & MATCHING PRODUCTS

- Only use In The Ditch brand mounts with your In The Ditch Products.
- Only use In The Ditch brand replacement parts for your In The Ditch brand products.

MODIFICATION *DO NOT* modify or tamper with any ITD product. Doing so will void any applicable warranty and may result in serious injury or death. • Warranties will be voided if any ITD Product is modified or tampered with!

INSPECTION ITD requires that each operator of a truck or transport vehicle perform a detailed circle check before and after each use of the truck or transport vehicle. This inspection must include the power unit, the towing unit, and all items installed on the unit.

- Do not take chances with your life or other people's lives. Make sure all items are secured and in safe working order.
- Always inspect products for any signs of paint cracking, metal fatigue or premature wear.
- Maintain a visual inspection along with grabbing the products and wiggling or pulling on it to make sure there is no way anything can become dislodged from it's mount.
- Remove from service immediately if repairs are needed. Do not take chances.

Failure to follow the safety guidelines listed may result in voiding any applicable warranty, serious bodily injury, or death.

It is very important that you properly fill out your product registration form at registration.intheditch.com to register your equipment. By submitting the information within 15 days of your purchase, your warranty will be validated, ensuring that your equipment will be protected subject to the terms and conditions set out herein. In the event we need to contact you concerning your registered equipment, Product Updates, Service Bulletins, or Product Recalls, the information you have provided on the product registration form will ensure your immediate notification. Do your part and let us help you by filling out your product registration form.

ITD1023 - PRO SERIES™ DOLLY BUNKS

INSTALLATION / OPERATION

⚠️ Due to variances in manufacturers' wrecker bodies, truck bodies and mounting surfaces, ITD cannot provide explicit mounting requirements for every mounting option. These instructions are to serve only as a guideline. Final installation requirements are left to the discretion of a qualified installer.

MOUNTING

RECOMMENDED HARDWARE (NOT INCLUDED)

- 14 - 5/16" Bolts (Grade 5 or better)
- 14 - 5/16" Nuts (Grade 5 or better)
- 28 - 5/16" Washers

1 DOLLY BUNK PLACEMENT

Determine the width the bunk sides need to be spaced. Take overall width of dolly and add 1/2" for clearance. *Fig. 1*

2 MARK MOUNTING HOLES

- Layout bottom of toolbox.
- Create centerline for dolly placement.
- Mark a line 1/2" the required distance for proper dolly spacing, either side of the "centerline" *Fig. 2*

3 BOLT TO BOX

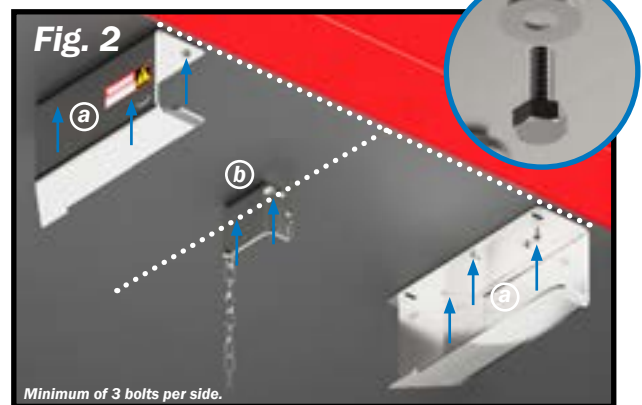
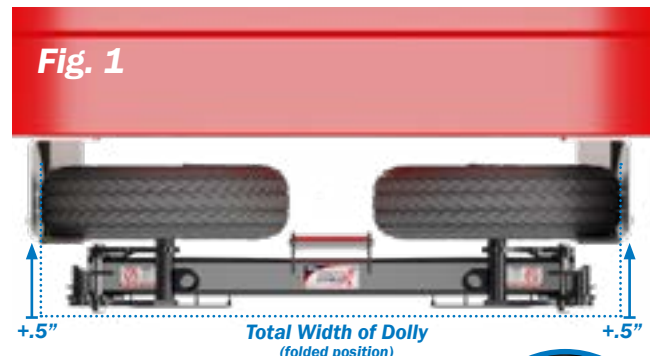
Bolt each side to tool box using a minimum of 3x 5/16" bolts, 6x 5/16" washers, & 3x 5/16" nuts. *Fig. 2a*

4 MOUNT LOCKING SECTION

Mark and bolt center locking section on centerline of toolbox. Mount locking section rearward so that it holds dolly to the back of mount, with minimum slack in the chain. *Fig. 2b*

LOCKING NOTE

To lock dolly use supplied safety chain to wrap around dolly tube. Then feed free end of chain through round portion of key *Fig. 3 & Fig. 4*



⚠️ Always mount to a flat, level surface. Do not mount at an angle!

⚠️ ITD Brand Dollies, Axles, Mounts, and related products are intended to be used solely by towing operators who have the requisite training and experience. If you do not have the requisite experience and training as a towing operator DO NOT USE these products.

⚠️ **SECUREMENT** It is the driver / operator's responsibility to ensure that nothing can come loose from any part of the truck or transport vehicle, or the vehicle being towed. It is the operator's responsibility to make sure that all items are in good working order and are properly secured!

⚠️ • ALWAYS FOLLOW STATE & LOCAL GUIDELINES!

⚠️ Failure to follow the safety guidelines listed may result in voiding any applicable warranty, serious bodily injury, or death.

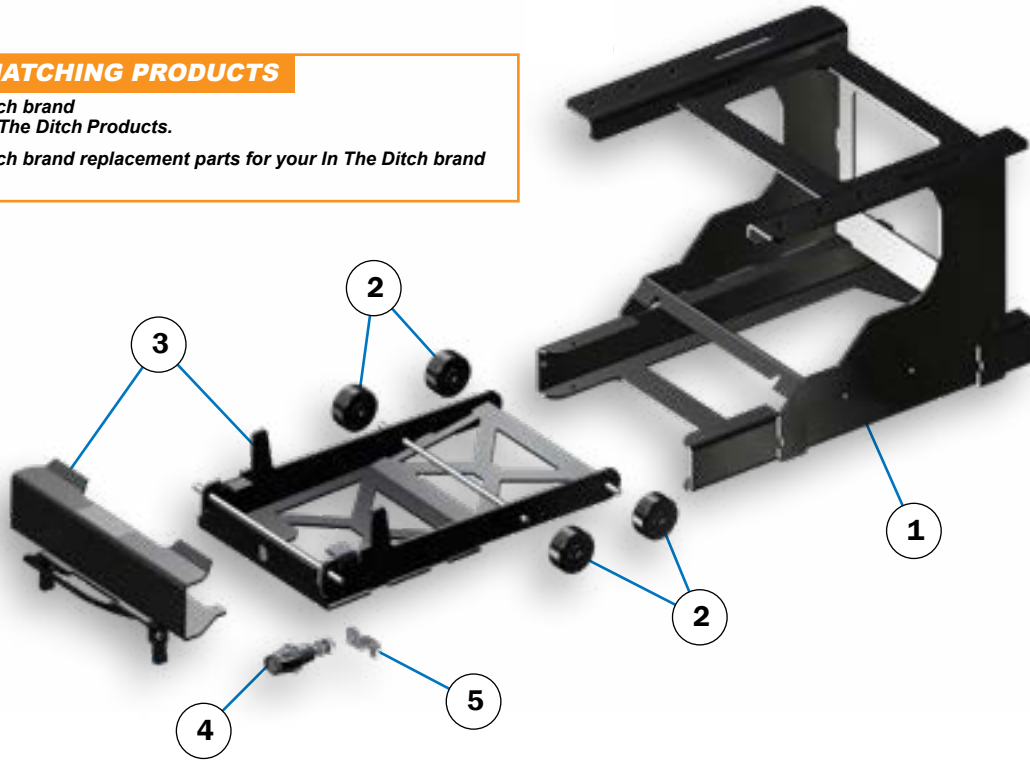
⚠️ It is very important that you properly fill out your product registration form at registration.intheditch.com to register your equipment. By submitting the information within 15 days of your purchase, your warranty will be validated, ensuring that your equipment will be protected subject to the terms and conditions set out herein. In the event we need to contact you concerning your registered equipment, Product Updates, Service Bulletins, or Product Recalls, the information you have provided on the product registration form will ensure your immediate notification. Do your part and let us help you by filling out your product registration form.

ITD1350 - TILT-N-SLIDE

REPLACEMENT PARTS

MIXING & MATCHING PRODUCTS

- Only use In The Ditch brand mounts with your In The Ditch Products.
- Only use In The Ditch brand replacement parts for your In The Ditch brand products.



ID	PART #	DESCRIPTION	QTY.
1	ITD6894-01	TNS-Main Mount Sub Assembly	1
2	ITD7025	2" Colson Performa Wheel	4
3	ITD6893	TNS-Sliding Sub Assembly	1
4	ITD7020	SM- Southco Lock (E3-158-15)	1
5	ITD6883-02	TNS-Cam	1

MODIFICATION *DO NOT* modify or tamper with any ITD product. Doing so will void any applicable warranty and may result in serious injury or death. • Warranties will be voided if any ITD Product is modified or tampered with!

ITD Brand Dollies, Axles, Mounts, and related products are intended to be used solely by towing operators who have the requisite training and experience. If you do not have the requisite experience and training as a towing operator DO NOT USE these products.

INSPECTION ITD requires that each operator of a truck or transport vehicle perform a detailed circle check before and after each use of the truck or transport vehicle. This inspection must include the power unit, the towing unit, and all items installed on the unit.

- Do not take chances with your life or other people's lives. Make sure all items are secured and in safe working order.
- Always inspect products for any signs of paint cracking, metal fatigue or premature wear.
- Maintain a visual inspection along with grabbing the products and wiggling or pulling on it to make sure there is no way anything can become dislodged from it's mount.
- Remove from service immediately if repairs are needed. Do not take chances.

Failure to follow the safety guidelines listed may result in voiding any applicable warranty, serious bodily injury, or death.

It is very important that you properly fill out your product registration form at registration.intheditch.com to register your equipment. By submitting the information within 15 days of your purchase, your warranty will be validated, ensuring that your equipment will be protected subject to the terms and conditions set out herein. In the event we need to contact you concerning your registered equipment, Product Updates, Service Bulletins, or Product Recalls, the information you have provided on the product registration form will ensure your immediate notification. Do your part and let us help you by filling out your product registration form.

ITD1023 - PRO SERIES™ DOLLY BUNKS

INSTALLATION / OPERATION

⚠️ *Due to variances in manufacturers' wrecker bodies, truck bodies and mounting surfaces, ITD cannot provide explicit mounting requirements for every mounting option. These instructions are to serve only as a guideline. Final installation requirements are left to the discretion of a qualified installer.*

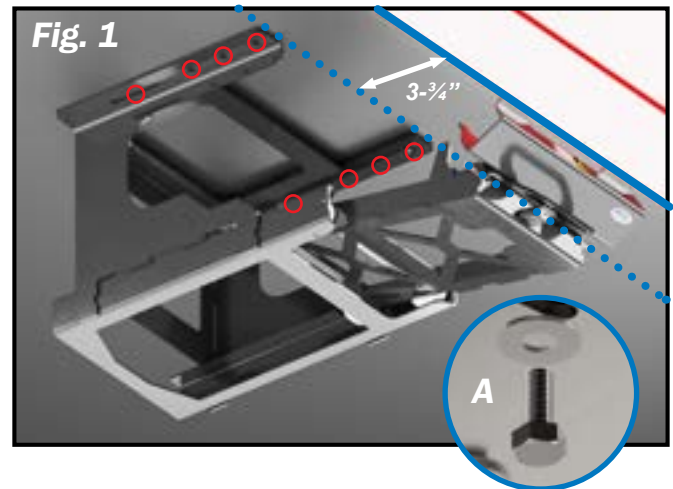
MOUNTING

RECOMMENDED HARDWARE (NOT INCLUDED)

- 16 - 3/8" Bolts (Grade 5 or better)
- 16 - 3/8" Nuts (Grade 5 or better)
- 24 - 3/8" Fender Washers
- 8 - 3/8" Washers
- 2 - Bolster Plate (Optional)

1 TILT-N-SLIDE PLACEMENT

Place mount under tool box in desired position. The front edge of the mount must be a maximum of 3-3/4" from the edge of the tool box. **Fig. 1**



⚠️ *Always mount to a flat, level surface. Do not mount at an angle!*

- We recommend two people work together to mount this unit.
- To ease placement, utilize a floor jack to hold the unit up while tuning the final position.

2 MARK & DRILL MOUNTING HOLES

- After adjusting the placement of where you're mounting your Tilt-N-Slide, Mark 6-8 hole positions. After the positions are marked, drill the holes into the surface you will be mounting to.
- After the holes have been drilled, utilize one of the following two methods suggested below for mounting. **Fig. 1**

3 STANDARD INSTALLATION

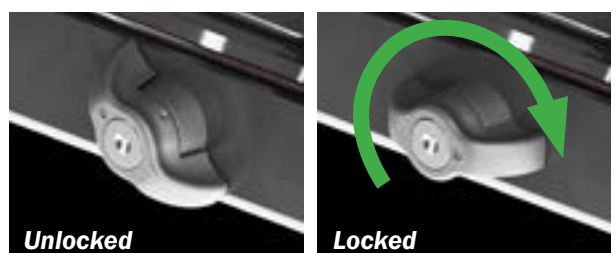
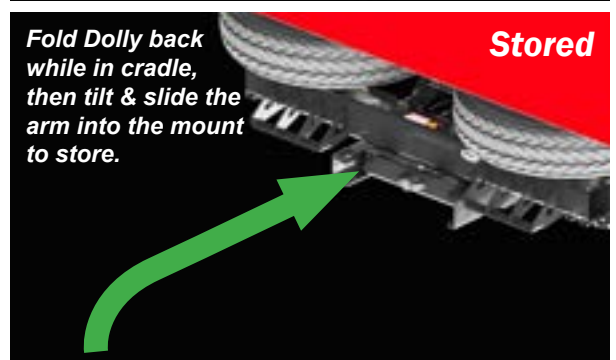
- Utilize 6 to 8 - 3/8" bolts with fender washers to help distribute load.
- Always use box mount stiffeners. **Fig. 1-A**

4 INCREASED STRENGTH INSTALLATION

- If installer has decided that washers are insufficient to hold the unit in place. Utilize a bolster plate on the inside of the tool box. This will allow for a greater distribution of load.
- Always use box mount stiffeners.

⚠️ *ALWAYS FOLLOW STATE & LOCAL GUIDELINES!*

⚠️ **SECUREMENT** *It is the driver / operator's responsibility to ensure that nothing can come loose from any part of the truck or transport vehicle, or the vehicle being towed. It is the operator's responsibility to make sure that all items are in good working order and are properly secured!*

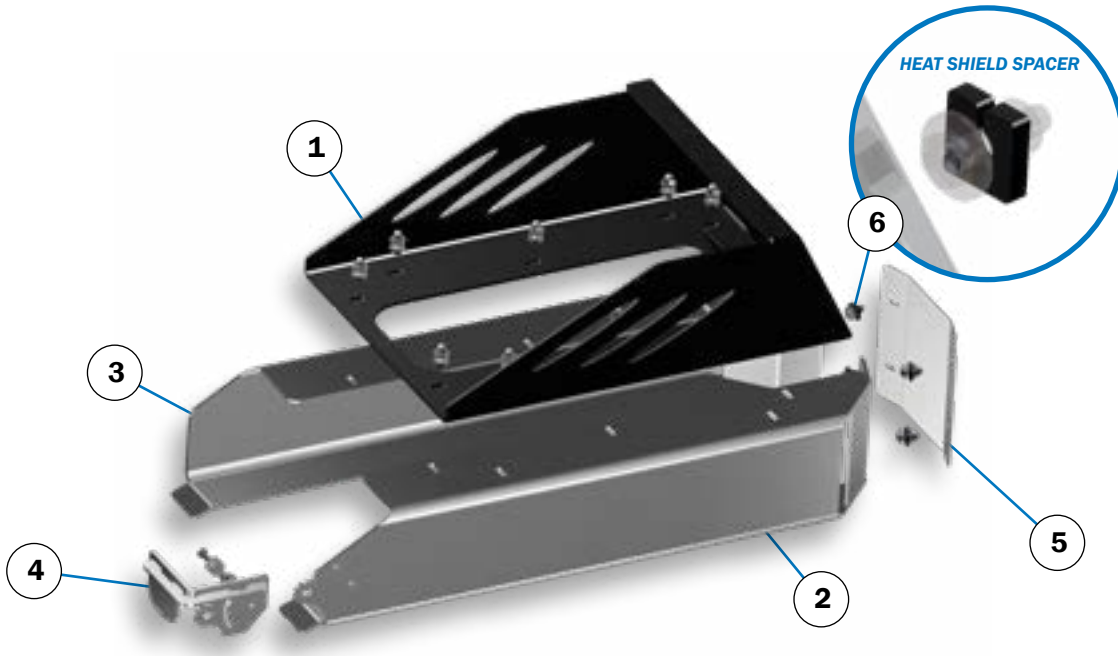


⚠️ **Failure to follow the safety guidelines listed may result in voiding any applicable warranty, serious bodily injury, or death.**

⚠️ It is very important that you properly fill out your product registration form at registration.intheditch.com to register your equipment. By submitting the information within 15 days of your purchase, your warranty will be validated, ensuring that your equipment will be protected subject to the terms and conditions set out herein. In the event we need to contact you concerning your registered equipment, Product Updates, Service Bulletins, or Product Recalls, the information you have provided on the product registration form will ensure your immediate notification. Do your part and let us help you by filling out your product registration form.

ITD1347 - CAR CARRIER DOLLY MOUNT

REPLACEMENT PARTS



ID	PART #	DESCRIPTION	QTY.
1	ITD4448	Steel Weldment	1
2	ITD4458	Right Side Bunk Weldment	1
3	ITD4447	Left Side Bunk Weldment	1
4	ITD4455	AI Latch Weldment	1
5	ITD4370	Heat Shield	1
6	ITD4459	Heat Shield Spacer	4

MIXING & MATCHING PRODUCTS


- Only use In The Ditch brand mounts with your In The Ditch Products.
- Only use In The Ditch brand replacement parts for your In The Ditch brand products.

Failure to follow the safety guidelines listed may result in voiding any applicable warranty, serious bodily injury, or death.

It is very important that you properly fill out your product registration form at registration.intheditch.com to register your equipment. By submitting the information within 15 days of your purchase, your warranty will be validated, ensuring that your equipment will be protected subject to the terms and conditions set out herein. In the event we need to contact you concerning your registered equipment, Product Updates, Service Bulletins, or Product Recalls, the information you have provided on the product registration form will ensure your immediate notification. Do your part and let us help you by filling out your product registration form.

ITD1347 - CAR CARRIER DOLLY MOUNT

INSTALLATION / OPERATION

 Due to variances in manufacturers' wrecker bodies, truck bodies and mounting surfaces, ITD cannot provide explicit mounting requirements for every mounting option. These instructions are to serve only as a guideline. Final installation requirements are left to the discretion of a qualified installer.

ASSEMBLY

Carrier Dolly Mount is sold as each. You will need 2 ITD1347 Carrier Dolly Mounts to hold a set of standard Dollies. The latch is on the right hand side of the operator as he or she faces the mount. The latch comes pre-assembled.

ASSEMBLY HARDWARE (INCLUDED)

- 10 - 5/16" x 3/4" Bolts
- 20 - 5/16" Washers
- 10 - 5/16" Acorn Nuts
- 8 - 1/4" Washers
- 4 - 1 1/4" Bolts
- 4 - 1/4" Nuts
- 4 - Spacers

1 ATTACH RIGHT & LEFT SIDES

Attach left and right tire bunks to the steel weldment using 5/16" bolts, washers, and acorn nuts. Recommended torque of 25 ft. lbs. The holes are slotted in both directions to allow the optimum fitment for the Dolly. Bolts should be firmly tightened. NOTE: Bolts should be checked after 4-5 uses to confirm tightness is adequate. [Fig. 1](#) & [Fig. 2](#)

2 INSTALL HEAT SHIELD

Install heat shield with aluminum spacers using included 1/4" hardware. The heat shield is intended to help protect the Dolly tires from heat created from the vehicles exhaust system. The aluminum spacers are to be installed between the heat shield and tire bunk weldments. [Fig. 3](#)

Fig. 1

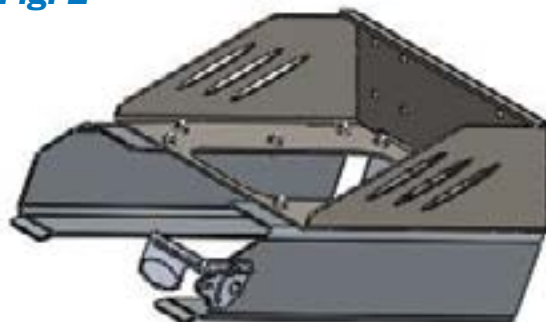


Fig. 2

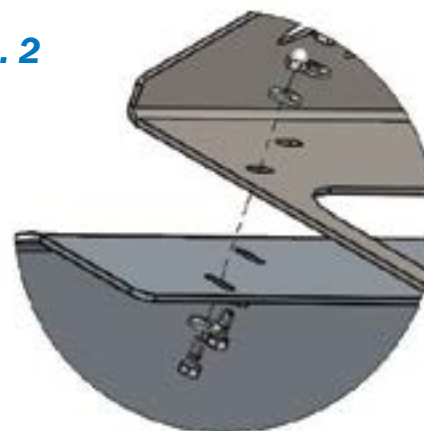
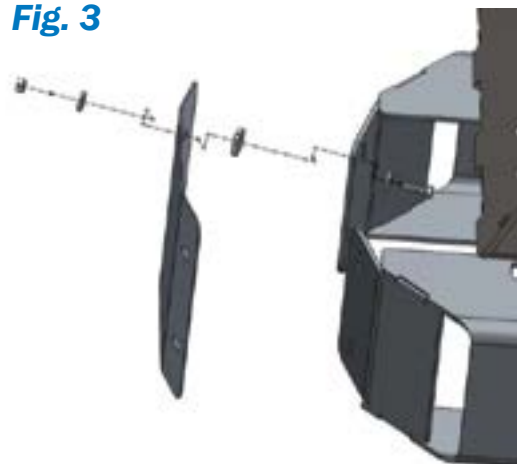




Fig. 3



MOUNTING INSTRUCTIONS ON PG. 30

 **MODIFICATION** *DO NOT* modify or tamper with any ITD product. Doing so will void any applicable warranty and may result in serious injury or death. • Warranties will be voided if any ITD Product is modified or tampered with!

 Failure to follow the safety guidelines listed may result in voiding any applicable warranty, serious bodily injury, or death.

 It is very important that you properly fill out your product registration form at registration.intheditch.com to register your equipment. By submitting the information within 15 days of your purchase, your warranty will be validated, ensuring that your equipment will be protected subject to the terms and conditions set out herein. In the event we need to contact you concerning your registered equipment, Product Updates, Service Bulletins, or Product Recalls, the information you have provided on the product registration form will ensure your immediate notification. Do your part and let us help you by filling out your product registration form.

ITD1347 - CAR CARRIER DOLLY MOUNT

MOUNTING

RECOMMENDED HARDWARE (NOT INCLUDED)

- 4 - 1/2" Grade 5 Bolts
- Four 1/2" Grade 5 bolts at a minimum are recommended for proper installation. (Installation hardware not included.) **Fig. 4**

1 BOLT TO FRAME

- Using at a minimum 4 - 1/2" grade 5 bolts or higher, mount the dolly mount to the frame of your carrier.
- This device is intended to mount an X-Series™ XL-SD dolly to the frame of a carrier vehicle, it is not intended for XD dolly storage.

⚠ ITD1347 - Car Carrier Dolly Mount not intended for XD Dolly Storage!

- This device is intended to be used with a lynch pin or padlock to ensure the dolly remains safely stored. Never operate vehicle without the latch in the down / locked position and secured with a lynch pin or padlock!

⚠ Never operate vehicle without the latch in the down / locked position, and secured with a lynchpin or padlock!

⚠ ITD Brand Dollies, Axles, Mounts, and related products are intended to be used solely by towing operators who have the requisite training and experience. If you do not have the requisite experience and training as a towing operator DO NOT USE these products.

OPERATION

The latch assembly will swing up out of the way to remove the Dolly. After the Dolly is returned to the mount, the vehicle is NOT to be operated with out the latch in the down / locked position and secured with a lynch pin, or padlock. Will fill fit 1/4" - 3/8" lynch pin or padlock.

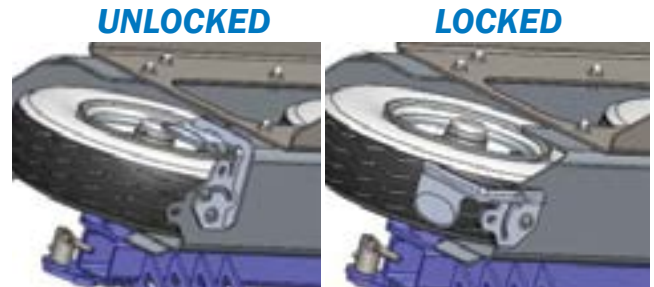
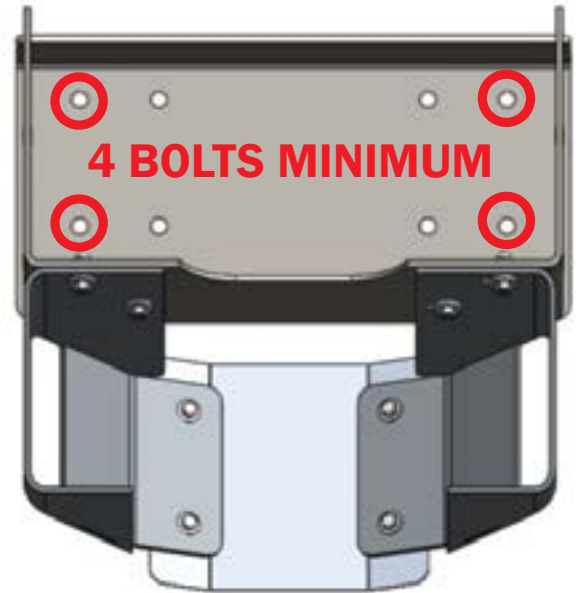
⚠ SECUREMENT *It is the driver / operator's responsibility to ensure that nothing can come loose from any part of the truck or transport vehicle, or the vehicle being towed. It is the operator's responsibility to make sure that all items are in good working order and are properly secured!*

⚠ INSPECTION *ITD requires that each operator of a truck or transport vehicle perform a detailed circle check before and after each use of the truck or transport vehicle. This inspection must include the power unit, the towing unit, and all items installed on the unit.*

- Do not take chances with your life or other people's lives. Make sure all items are secured and in safe working order.
- Always inspect products for any signs of paint cracking, metal fatigue or premature wear.
- Maintain a visual inspection along with grabbing the products and wiggling or pulling on it to make sure there is no way anything can become dislodged from it's mount.
- Remove from service immediately if repairs are needed. Do not take chances.

⚠ • ALWAYS FOLLOW STATE & LOCAL GUIDELINES!

Fig. 4



⚠ • INSPECT AND RE-TIGHTEN AFTER FIRST 4-5 USES!

• DOUBLE CHECK THAT ALL HARDWARE IS PROPERLY INSTALLED AND TIGHTENED BEFORE USE!

⚠ Failure to follow the safety guidelines listed may result in voiding any applicable warranty, serious bodily injury, or death.

⚠ It is very important that you properly fill out your product registration form at registration.intheditch.com to register your equipment. By submitting the information within 15 days of your purchase, your warranty will be validated, ensuring that your equipment will be protected subject to the terms and conditions set out herein. In the event we need to contact you concerning your registered equipment, Product Updates, Service Bulletins, or Product Recalls, the information you have provided on the product registration form will ensure your immediate notification. Do your part and let us help you by filling out your product registration form.

ITD1347 - CAR CARRIER DOLLY MOUNT

PAGE INTENTIONALLY LEFT BLANK

PAGE INTENTIONALLY LEFT BLANK

PAGE INTENTIONALLY LEFT BLANK

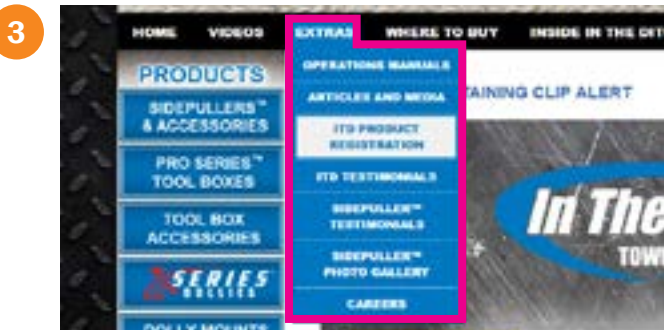
Go to REGISTRATION.INTHEDITCH.COM for product registration ITS AS EASY AS THESE 4 STEPS!



1 In your browser, navigate to intheditch.com



2 After navigating to intheditch.com, hover over the extras tab to view an expanded list of links.



3 Under the Extras tab, click on "ITD Product Registration".



4 Complete the form located on the product registration page.



5 After completing the form, make sure you complete the captcha at the bottom, and click on the "Register My Product" button.

It is very important that you properly fill out your product registration form at registration.intheditch.com (follow the screenshots above) to register your equipment. By submitting the information within 15 days of your purchase, your warranty will be validated, ensuring that your equipment will be protected subject to the terms and conditions set out herein. In the event we need to contact you concerning your registered equipment, Product Updates, Service Bulletins, or Product Recalls, the information you have provided on the product registration form will ensure your immediate notification. Do your part and let us help you by filling out your product registration form. Please fill out the product registration form at registration.intheditch.com within 15 days after purchase. This validates the warranty transfer and is essential for your protection. If ITD should ever need to contact you concerning compliance of your ITD equipment with any applicable safety standards, the information you have provided on the product registration form will ensure your immediate notification.

In the event you were not the original purchaser of the product, we still need you to register your In The Ditch Products.

PLEASE TAKE THE TIME TO FILL OUT THE PRODUCT WARRANTY FORM.

GO TO: REGISTRATION.INTHEDITCH.COM

IF YOU HAVE ANY QUESTIONS PLEASE CALL IN THE DITCH: 1-208-587-7960

**VISIT OUR WEBSITE!
IN THE DITCH.COM**



**PHONE: 1-208-587-7960
EMAIL: sales@intheditch.com**